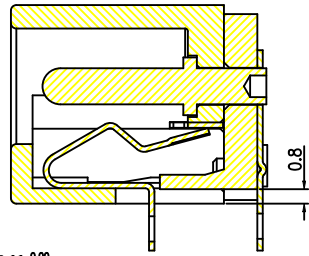
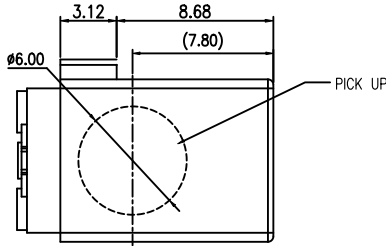
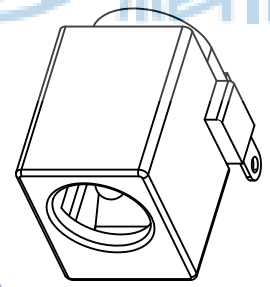
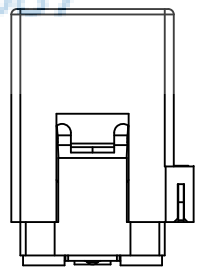
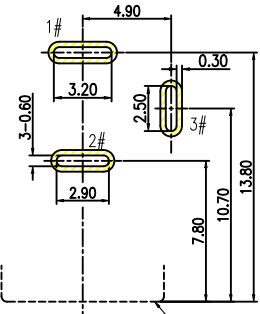
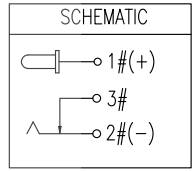
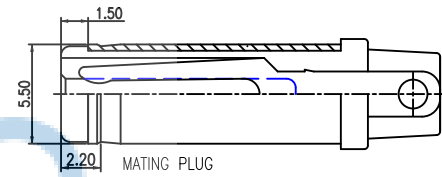
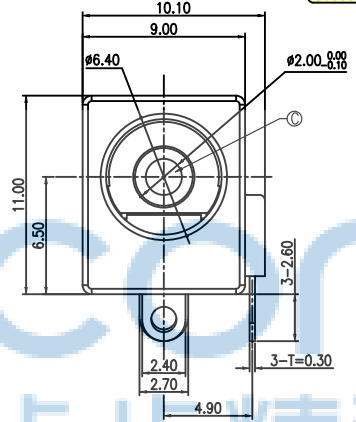
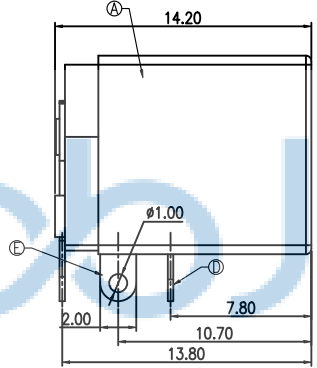
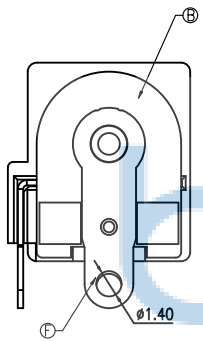


REV.	ECN NO	CONTENT	DATE	ENGINEER
A0			2023/20/04	



- SPECIFICATION:
1. RATING: DC 50V 3A
 2. CONTACT RESISTANCE: 30m Ω MAX.
 3. INSULATION RESISTANCE: 100 M Ω MIN.
 4. WITHSTAND VOLTAGE: 500 VAC
 5. INSERTION FORCE: 30N MAX.
 6. EXTRACTION FORCE: 6N MIN.
 7. DURABILITY: 5,000 CYCLES



F	PLATE	BRASS	Ni 40u"~200u"	1
E	SHUNT	BRASS	Ni 40u"~200u"	1
D	SPRING	COPPER ALLOY	Au 1u" ON THE CONTACT AREA Ni 40u"~200u" UNDER PLATED OVERALL	1
C	CENTER PIN	BRASS	Au 1u"/Ni 40u"~200u"	1
B	COVER	PA10T	BLACK	1
A	HOUSING	PA10T	BLACK	1
NO.	DESCRIPTION	MATERIAL	REMARKS	QTY

RECOMMENDED PCB LAYOUT
TOP VIEW TOLERANCE: ±0.05



THIS DOCUMENT IS THE SOLE PROPERTY OF BBJconn Technology Co., Ltd. CORPORATION AND SHOULD NOT BE USED IN WHOLE OR IN PART WITHOUT PRIOR WRITTEN PERMISSION.

PDWG.NO: 0386-2

DR. SGF 23/05/02

深圳市步步精科技有限公司

DC座 DC-2.0针 全铜 卧式 三脚插 (DC550200-1174-20000H)

NAME: DC座 DC-2.0针 全铜 卧式 三脚插 (DC550200-1174-20000H)

PJ. NO.: DC.02.62-12-G011

SIZE: A4 DRW NO.:

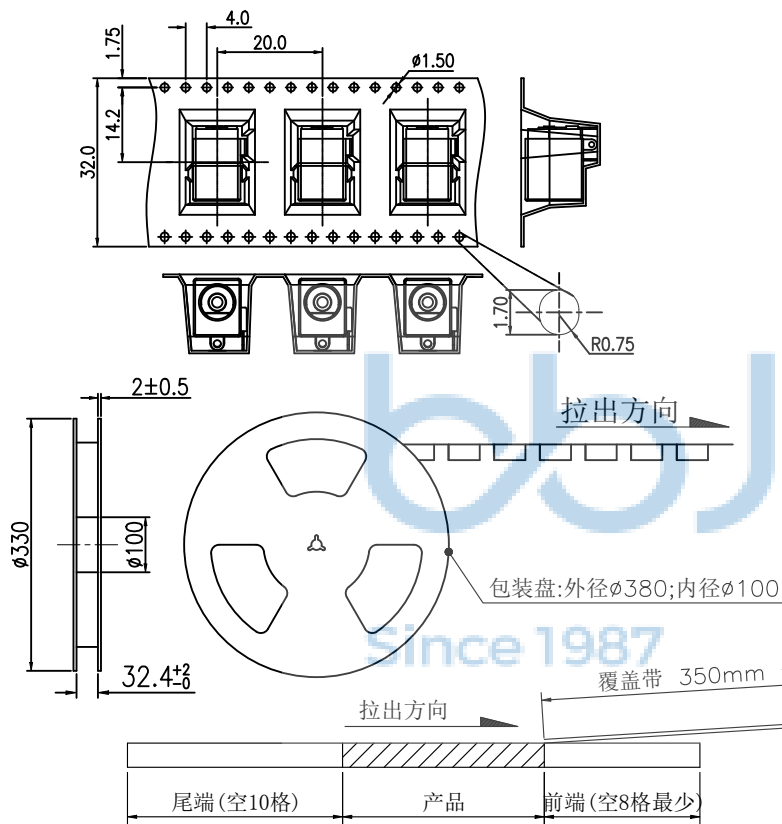
FINISH: SEE NOTES MAT'L.: SEE NOTES

SCALE: N/A REV.: A3 UNIT: mm PAGE: 1/1

REV.	ECN NO.	CONTENT	DATE	ENGINEER
AO			2023 20/04	

汽泡垫 2PCS

拉出方向



包装盘标签

总共10层

PE袋:

外箱, 1PCS

透明胶带

INSIDE DIM.

INSIDE DIM.

INSIDE DIM.

备注:

- 材料规格:
 - 1.1 载带:透明
 - 1.2 包装盘:蓝色
 - 1.3 纸箱: L=335,W=335,H=380
- 包装数量: 200PCS/卷, 10卷(2000PCS)/箱
- 上盖带拔离力: 0.1N~0.7N(10~70gf);
拔离角度: 165°~180°;
拔离速度: 300mm/分钟.



THIS DOCUMENT IS THE SOLE PROPERTY OF BBJconn Technology Co.,Ltd. Corporation AND SHOULD NOT BE USED IN WHOLE OR IN PART WITHOUT PRIOR WRITTEN PERMISSION.		深圳市步步精科技有限公司 工程部部长 SGF		深圳市步步精科技有限公司 .X: ±0.38 .X': ±3' .XX: ±0.25 .X'': ±2' .XXX: ±0.13 .X''': ±1'		NAME: DC座 DC-2.0针 全铜 卧式 三脚插 (DC550200-1174-20000H)	
APPD.	JM_Zheng	23/05/02	PJ. NO.: DC.02.62-12-G011		SIZE: A4 DRW NO.:		
CHKD.	LYX	23/05/02	FINISH: SEE NOTES		MAT'L.: SEE NOTES		
PDWG.NO:	0386-2	DR.	SGF	23/05/02	SCALE: N/A	REV.: A3	UNIT: mm PAGE: 1/1