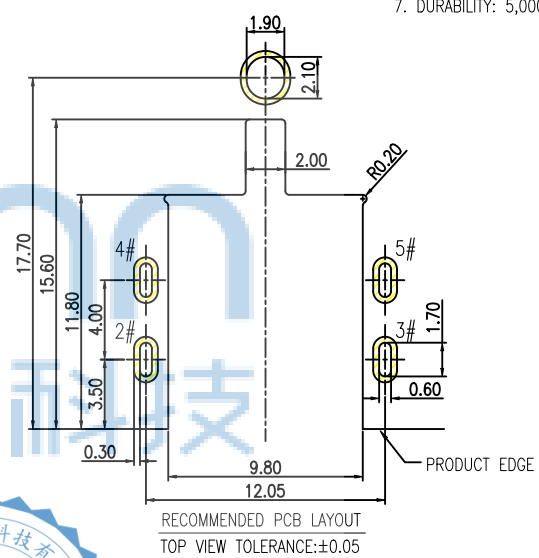
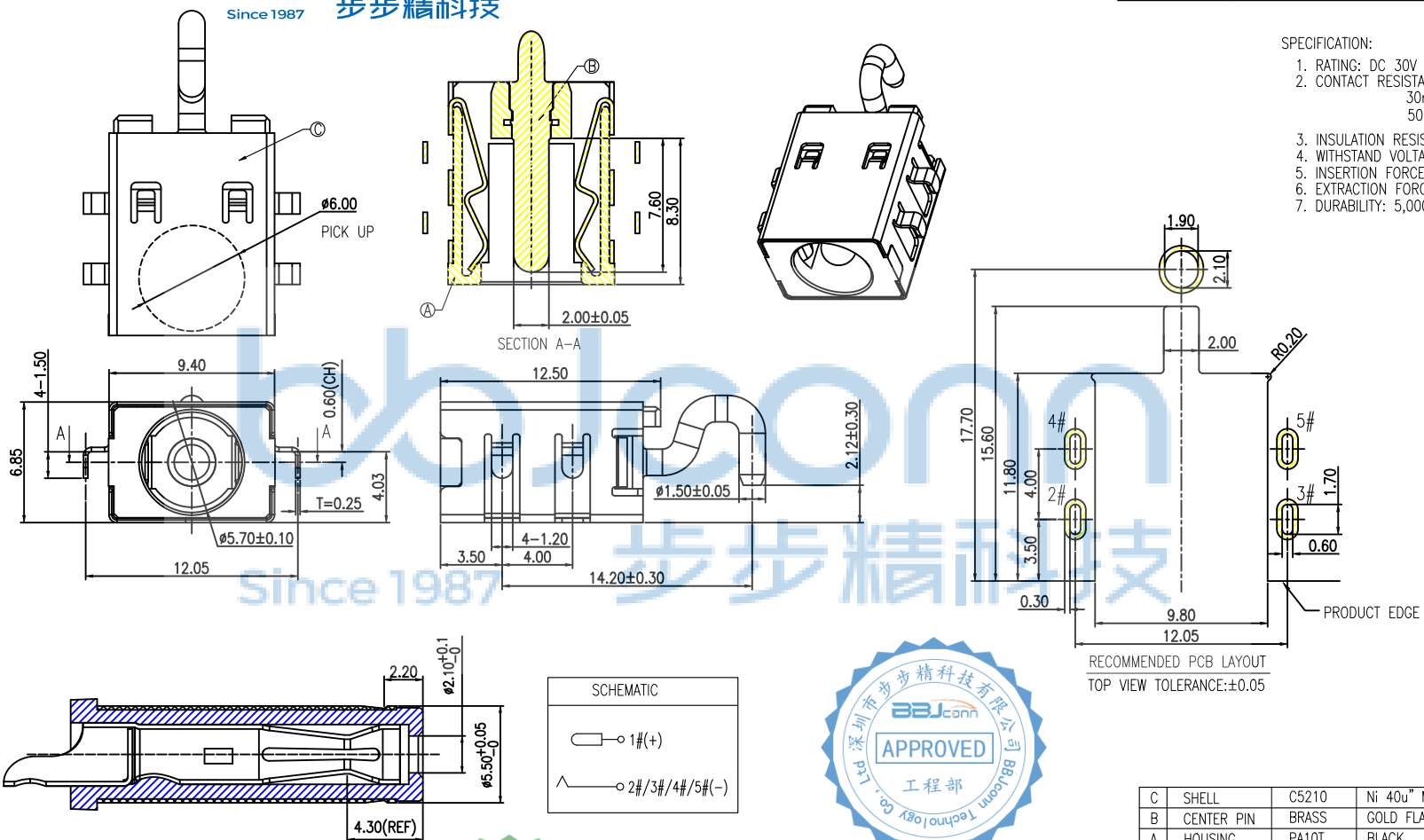


REV.	ECN NO	CONTENT	DATE	ENGINEER
AO			2023 20/04	

SPECIFICATION:

- RATING: DC 30V 15A
- CONTACT RESISTANCE:  
30m $\Omega$  MAX(INITIAL).  
50m $\Omega$  MAX(FINAL).
- INSULATION RESISTANCE: 100 M $\Omega$  MIN.
- WITHSTAND VOLTAGE: 500 VAC
- INSERTION FORCE: 30N MAX.
- EXTRACTION FORCE: 3N MIN.
- DURABILITY: 5,000 CYCLES



NO.	DESCRIPTION	MATERIAL	REMARKS	QTY
C	SHELL	C5210	Ni 40u" MIN.	1
B	CENTER PIN	BRASS	GOLD FLASH /Ni 40u" MIN.	1
A	HOUSING	PA10T	BLACK	1

THIS DOCUMENT IS THE SOLE PROPERTY OF BBJconn Technology Co., Ltd. Corporation AND SHOULD NOT BE USED IN WHOLE OR IN PART WITHOUT PRIOR WRITTEN PERMISSION.

PDWG.NO: 0386-2

DR. SGF 23/05/02

APPD. JM\_Zheng 23/05/02

CHKD. LYX 23/05/02

NAME: DC座 DC-2.0针 全铜 卧式 四脚插 (DC550200-1159-20000H)

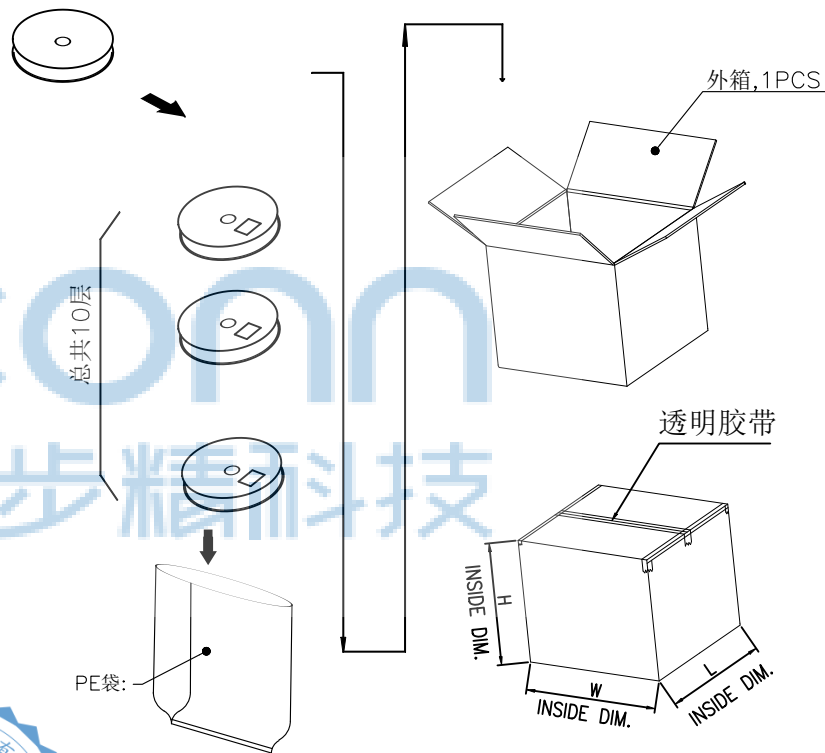
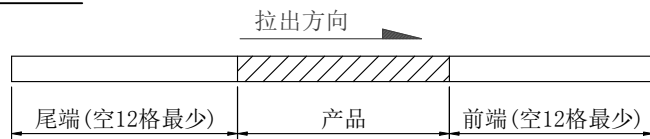
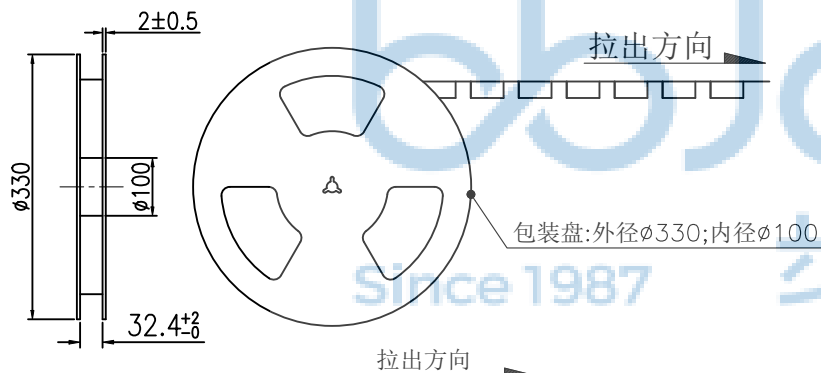
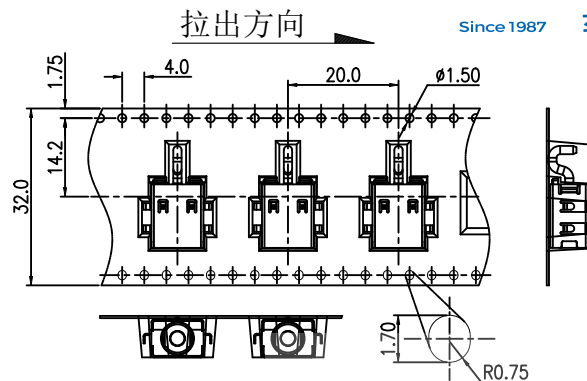
PJ. NO.: DC.02.62-12-G008

SIZE: A4 DRW NO.:

FINISH: SEE NOTES MAT'L.: SEE NOTES

SCALE: N/A REV.: A3 UNIT: mm PAGE: 1/1

深圳市步步精科技有限公司



备注:

- 材料规格:
  - 载带:T=0.50mm
  - 包装盘:蓝色
  - 纸箱: L=335,W=335,H=380
- 包装数量:  
400PCS/卷, 10卷(4000PCS)/箱
- 上盖带剥离力: 0.1N~0.7N(10~70gf);  
剥离角度: 165°~180°;  
剥离速度: 300mm/分钟.



THIS DOCUMENT IS THE SOLE PROPERTY OF BBJconn Technology Co., Ltd. Corporation AND SHOULD NOT BE USED IN WHOLE OR IN PART WITHOUT PRIOR WRITTEN PERMISSION.		深圳市步步精科技有限公司 工程 部	
APPD.	JM_Zheng 23/05'02	NAME:	DC座 DC-2.0针 全铜 卧式 四脚插 (DC550200-1159-20000H)
CHKD.	LYX 23/05'02	PJ. NO.:	DC.02.62-12-G008
PDWG.NO:	0386-2	SIZE:	A4 DRW NO.:
DR.	SGF 23/05'02	FINISH:	SEE NOTES
		MAT'L.:	SEE NOTES
		SCALE:	N/A
		REV.:	A3
		UNIT:	mm
		PAGE:	1/1