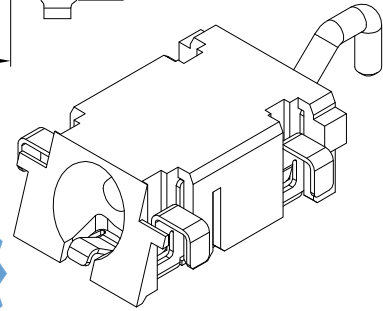
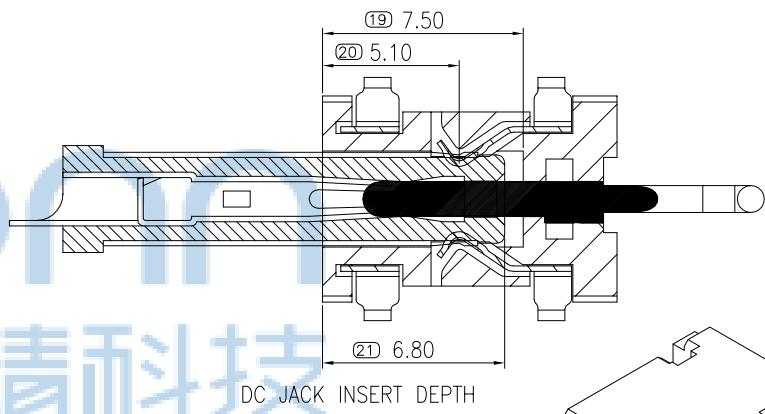
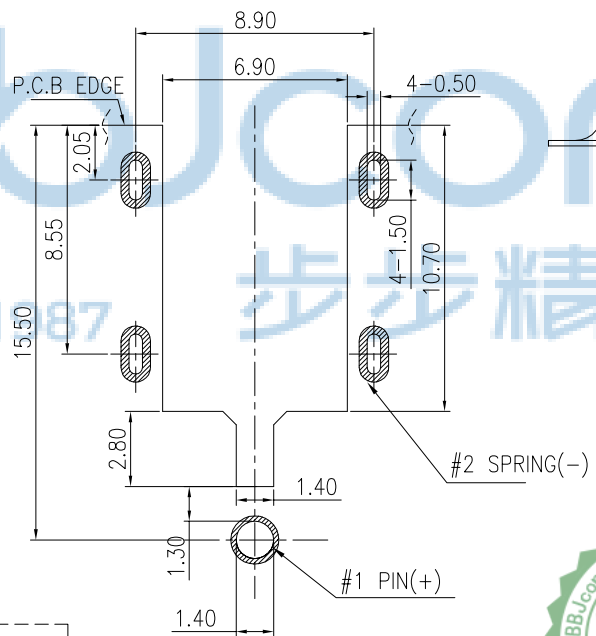
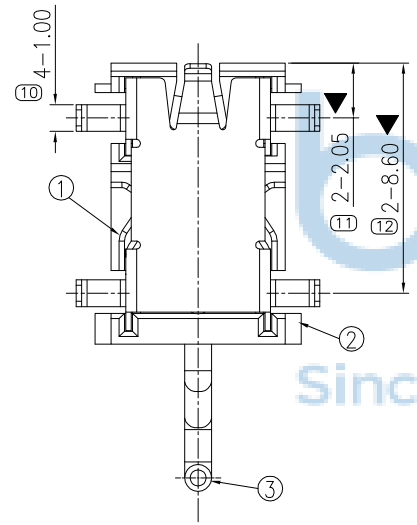
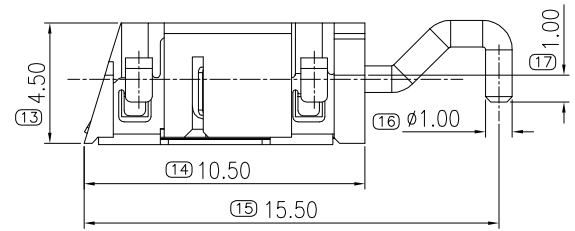
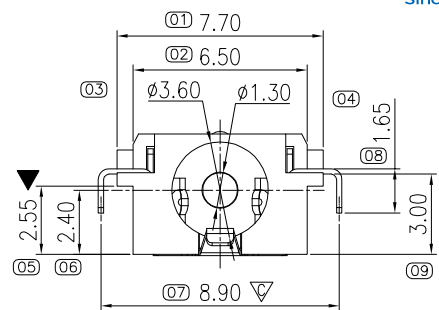


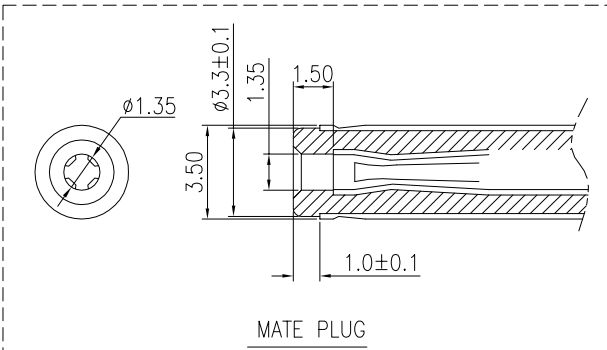
REV.	ECN NO.	CONTENT	DATE	ENGINEER
AO			2023 20/04	

SPECIFICATIONS:

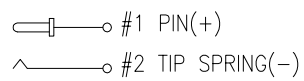
- ELECTRICAL CHARACTERISTICS:
  - RATING: 24V 3A
  - CONTACT RESISTANCE: 50mΩ MAX.(INITIAL)
  - DIELECTRIC WITHSTANDING VOLTAGE: 500V AC FOR ONE MINUTE
  - INSULATION RESISTANCE: 100MΩ MIN. MEASURED BY 500V DC
- MECHANICAL CHARACTERISTICS:
  - INSERTION FORCE : 0.3~3.0 KGf
  - WITHDRAWAL FORCE : 0.3~3.0 KGf
- LIFE TEST: 5,000 CYCLES MIN.
- FOR REFLOW SOLDERING LEAD-FREE PROCESS.
- ▼ REPRESENT CRITICAL DIMENSIONS.
- ▽ CPK CONTROLLED DIMENSIONS.



3D VIEW



RECOMMENDED PCB LAYOUT  
TOP VIEW (TOLERANCE:±0.05)



ELECTRICAL CIRCUIT



NO.	DESCRIPTION	QTY	MATERIAL	PLATING & COLOR
③	CENTER PIN	1	BRASS φ1.30	Au
②	TERMINAL	1	PHOSPHOR BRONZE 0.2t	Au
①	HOUSING	1	HIGHT TEMPERATURE PLASTIC	Black

THIS DOCUMENT IS THE SOLE PROPERTY OF BBJconn Technology Co.,Ltd. Corporation AND SHOULD NOT BE USED IN WHOLE OR IN PART WITHOUT PRIOR WRITTEN PERMISSION.

PDWG.NO: 0076-1

**深圳市步步精科技有限公司**

NAME: DC座 1.30针 全铜 沉板3.0 四脚插 (DCJR0012-F02G1BR-A)

PJ. NO.: DC.03.42-12-B007

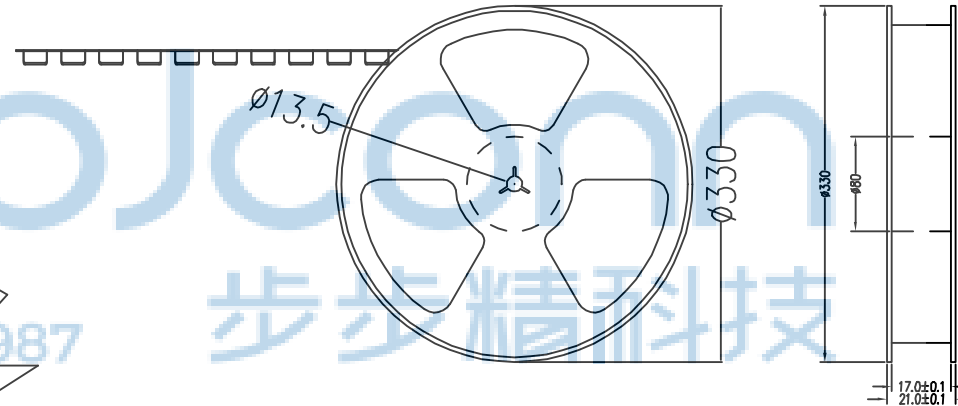
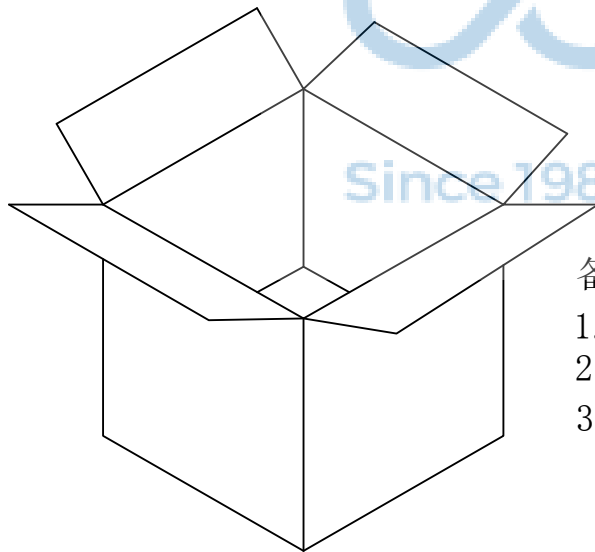
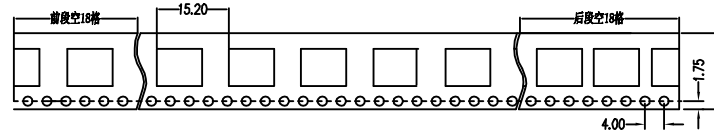
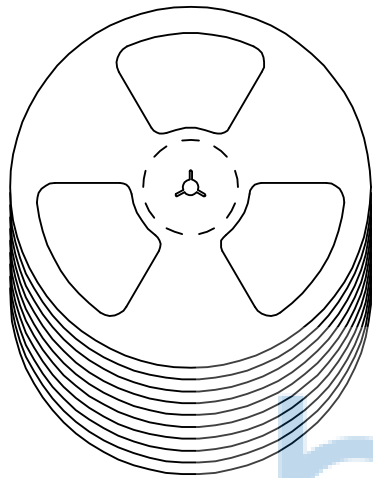
SIZE: A4 | DRW NO.:

FINISH: SEE NOTES | MAT'L.: SEE NOTES

SCALE: N/A | REV.: A3 | UNIT: mm | PAGE: 1/1

APPD.	JM_Zheng	23/05/02
CHKD.	LYX	23/05/02
DR.	SGF	23/05/02

REV.	ECN NO.	CONTENT	DATE	ENGINEER
AO			2023 20/04	



备注:

1. 包装数量: 900/PCS/卷, 10卷/箱或15卷/箱。
2. 包装袋长度: 每卷前后各空10-20个空格, 中间包装。
3. 材质:  
载体: 聚丙烯 (PS), 阻抗 $10^{6-9} \Omega$   
上带: 聚乙烯 (PET), 阻抗 $10^{6-11} \Omega$   
卷盘: 聚苯乙烯。

纸箱规格: 345\*345\*23MM

纸箱规格: 345\*345\*35MM

THIS DOCUMENT IS THE SOLE PROPERTY OF BBJconn Technology Co.,Ltd. Corporation AND SHOULD NOT BE USED IN WHOLE OR IN PART WITHOUT PRIOR WRITTEN PERMISSION.		深圳市步步精科技有限公司 .X: ±0.38 .X': ±3" .XX: ±0.25 .X": ±2" .XXX: ±0.13 .XX': ±1"		NAME: DC座 1.30针 全铜 沉板3.0 四脚插 (DCJR0012-F02G1BR-A) PJ. NO.: DC.03.42-12-B007 SIZE: A4 DRW NO.: FINISH: SEE NOTES MAT'L.: SEE NOTES SCALE: N/A REV.: A3 UNIT: mm PAGE: 1/1	
PDWG.NO: 0076-1	DR. SGF	23/05'02			