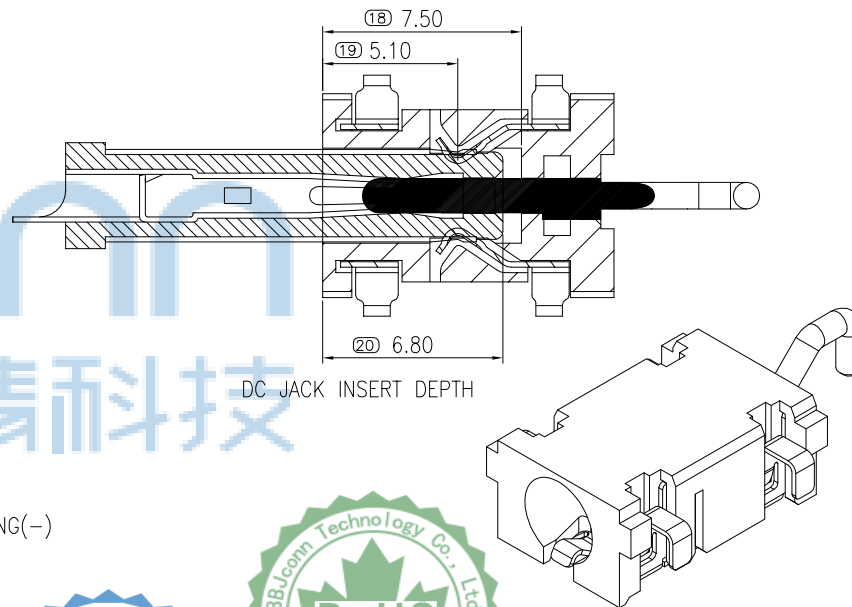
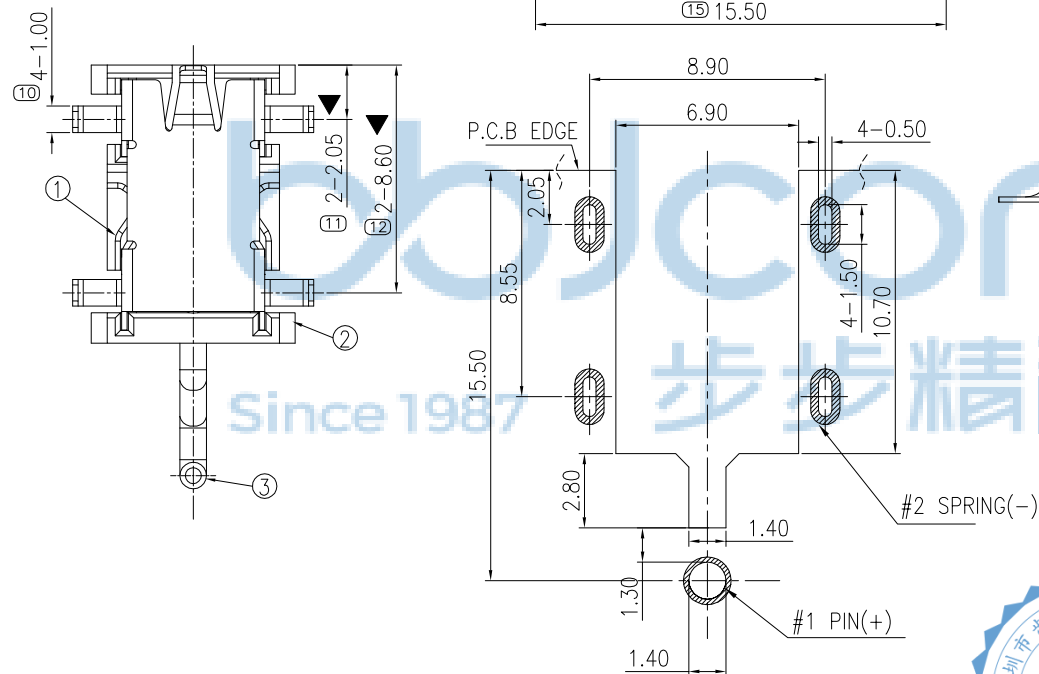
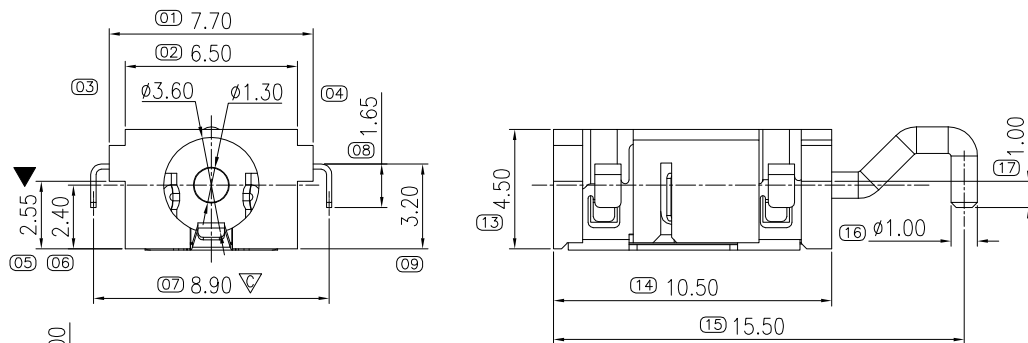
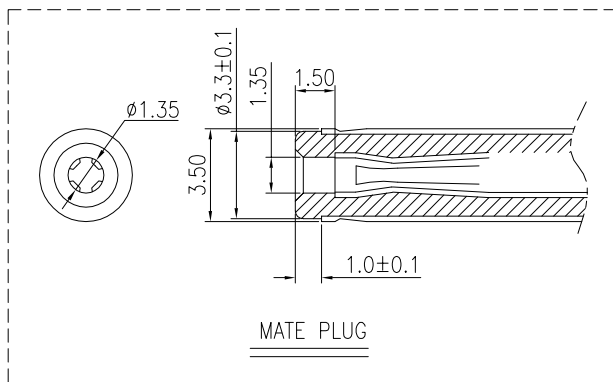


REV.	ECN NO	CONTENT	DATE	ENGINEER
A0			2023 20/04	

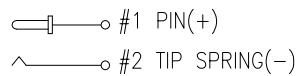
- SPECIFICATIONS:
- ELECTRICAL CHARACTERISTICS:
    - RATING: 24V 3A
    - CONTACT RESISTANCE: 50mΩ MAX.(INITIAL)
    - DIELECTRIC WITHSTANDING VOLTAGE: 500V AC FOR ONE MINUTE
    - INSULATION RESISTANCE: 100MΩ MIN. MEASURED BY 500V DC
  - MECHANICAL CHARACTERISTICS:
    - INSERTION FORCE : 0.3~3.0 KGF
    - WITHDRAWAL FORCE : 0.3~3.0 KGF
  - LIFE TEST: 5,000 CYCLES MIN.
  - FOR REFLOW SOLDERING LEAD-FREE PROCESS.
  - ▼ REPRESENT CRITICAL DIMENSIONS.
  - ▽ CPK CONTROLLED DIMENSIONS.



3D VIEW



RECOMMENDED PCB LAYOUT  
TOP VIEW (TOLERANCE:±0.05)



NO	DESCRIPTION	QTY	MATERIAL	PLATING & COLOR
③	CENTER PIN	1	BRASS Ø1.30	Au
②	TERMINAL	1	PHOSPHOR BRONZE 0.2t	Au
①	HOUSING	1	HIGHT TEMPERATURE PLASTIC	Black

THIS DOCUMENT IS THE  
SOLE PROPERTY OF  
BBJconn Technology Co.,Ltd.  
Corporation AND SHOULD  
NOT BE USED IN WHOLE  
OR IN PART WITHOUT  
PRIOR WRITTEN PERMISSION.  
PDWNG.NO: 0076-1

**深圳市步步精科技有限公司**

NAME: DC座 1.30针 全铜 沉板3.2 四脚插 (DCJR0017-F02G1BR-A)

APPD. JM\_Zheng 23/05'02

CHKD. LYX 23/05'02

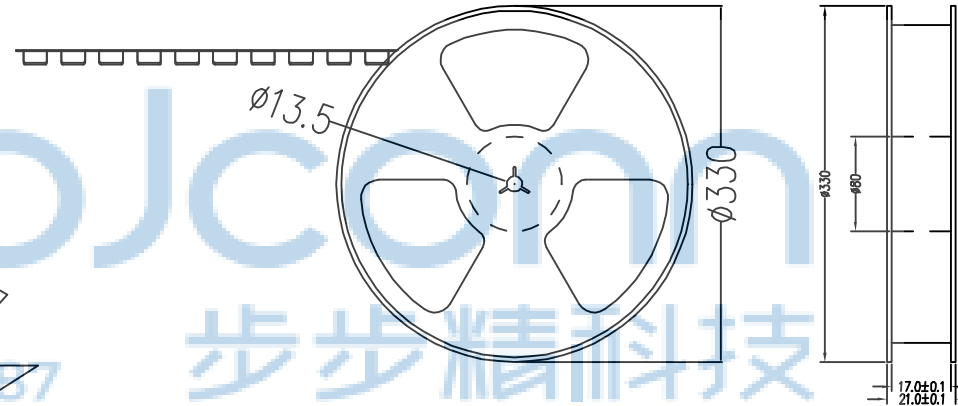
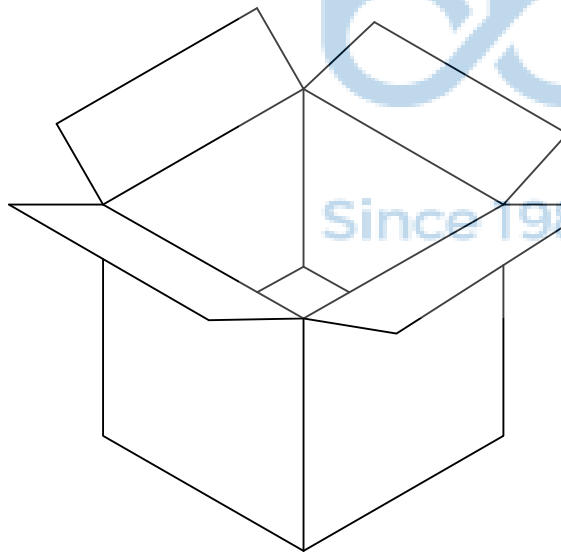
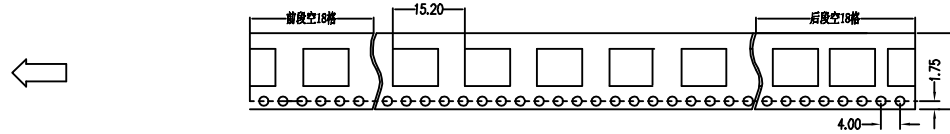
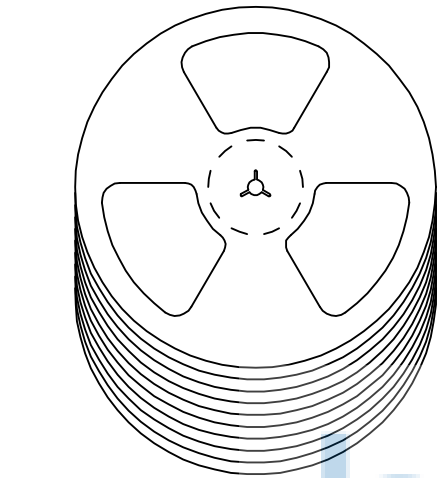
DR. SGF 23/05'02

PJ. NO.: DC.03.42-12-B008

SIZE: A4 DRW NO.:

FINISH: SEE NOTES MAT'L.: SEE NOTES

SCALE: N/A REV.: A3 UNIT: mm PAGE: 1/1



备注:

1. 包装数量: 1000/PCS/卷, 10卷/箱或15卷/箱。
2. 包装袋长度: 每卷前后各空10-20个空格, 中间包装。
3. 材质:  
载体: 聚丙烯 (PS), 阻抗 $10^{6-9} \Omega$   
上带: 聚乙烯 (PET), 阻抗 $10^{6-11} \Omega$   
卷盘: 聚苯乙烯。

纸箱规格: 345\*345\*23MM

纸箱规格: 345\*345\*35MM

THIS DOCUMENT IS THE SOLE PROPERTY OF BBJconn Technology Co.,Ltd. Corporation AND SHOULD NOT BE USED IN WHOLE OR IN PART WITHOUT PRIOR WRITTEN PERMISSION.		深圳市步步精科技有限公司 .X: ±0.38    .X': ±3" .XX: ±0.25    .X': ±2" .XXX: ±0.13    .XX': ±1"		NAME: DC座 1.30针 全铜 沉板3.2 四脚插 (DCJR0017-F02G1BR-A)	
APPD.	JM_Zheng	23/05'02	PJ. NO.: DC.03.42-12-B008		SIZE: A4
CHKD.	LYX	23/05'02	FINISH: SEE NOTES		MAT'L.: SEE NOTES
PDWG.NO:	0076-1	DR.	SGF	23/05'02	SCALE: N/A    REV.: A3    UNIT: mm    PAGE: 1/1