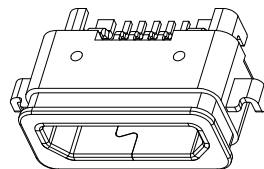
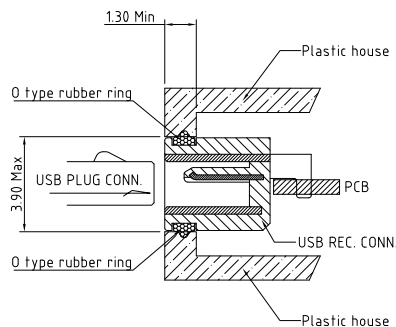
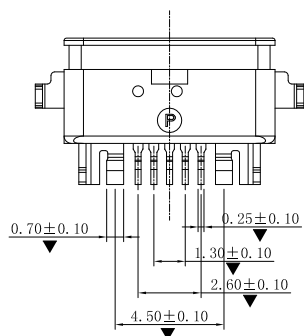


REV.	ECN NO.	CONTENT	DATE	ENGINEER
AO			2023 20/04	

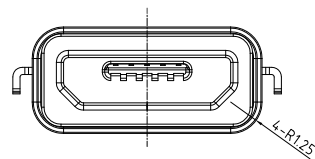
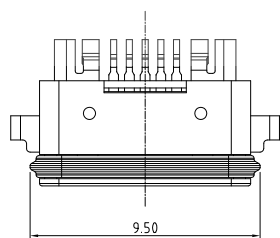
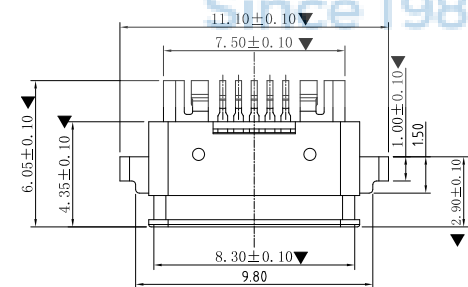
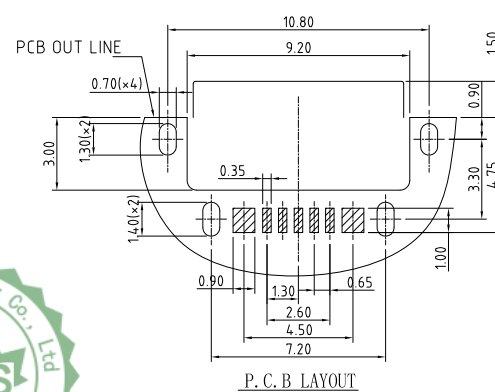
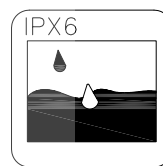
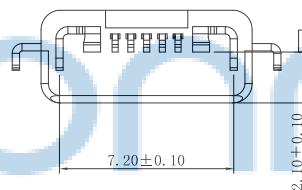
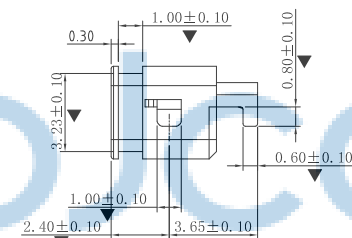
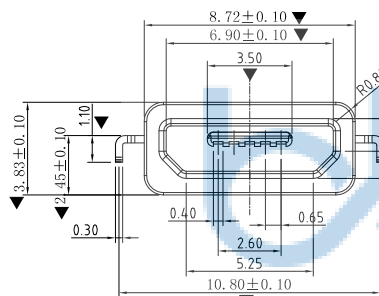


Notes:

1. Dimension shall be interpreted per ASME Y14.5M1994.
2. Dimension marked ▽ & ▼ should be checked by Q.C. and process, engineers and ▽ should also check the CPK data.

Specification:

1. Current Rating: 1.0 AMP
2. Voltage Rating: 30V AC, DC
3. Dielectric Strength: 500V AC RMS for 1 minute.
4. Contact Resistance: 30mΩ Max.
5. Insulator Resistance: 500MΩ Min. AT 250V DC.
6. Mating/Unmating cycles: 2000cycles
7. Temperature: -20° C to +60° C



3	Shell	1	SUS304R-1/2H Ti/Ni Plating T=0.30mm	
2	Contact	5	Phosphor bronze C5210R-EH Au/Ni Plating T=0.20mm	
1	Housing	1	PA9T&LCP (G.F30%) Black	
ITEM	PART NAME	Q' TY	FINISH	NOTE

THIS DOCUMENT IS THE SOLE PROPERTY OF BBJconn Technology Co., Ltd. Corporation AND SHOULD NOT BE USED IN WHOLE OR IN PART WITHOUT PRIOR WRITTEN PERMISSION.  
PDWG.NO: 0523-1

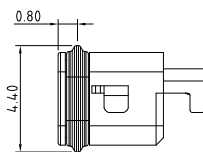
**深圳市步步精科技有限公司**

NAME: MICRO-5P 防水母座 L=6.05 沉板2.1 端子SMT 四脚插 无柱 平口 不锈钢外壳 IPX6 带防水圈

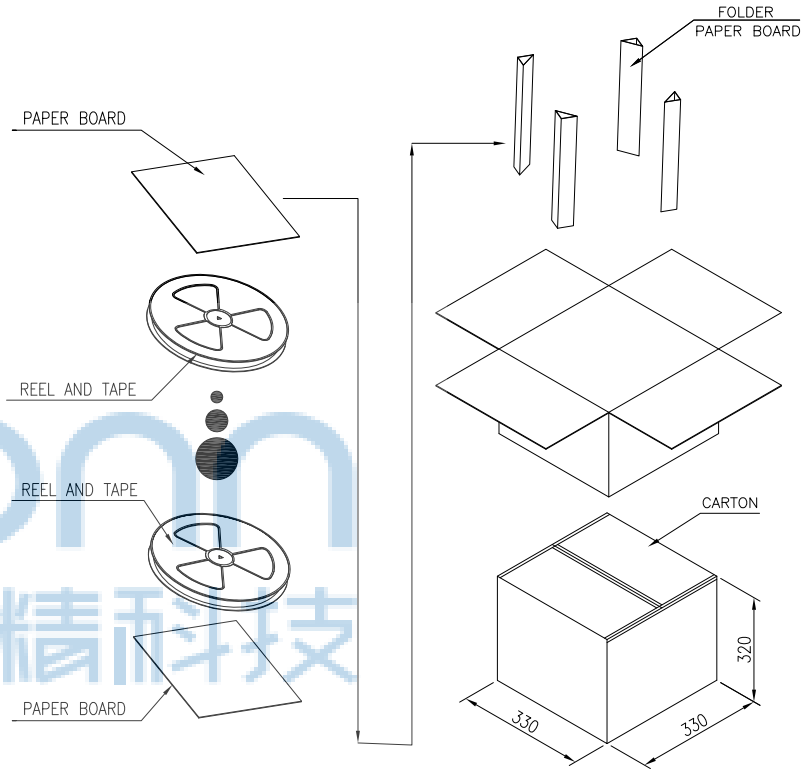
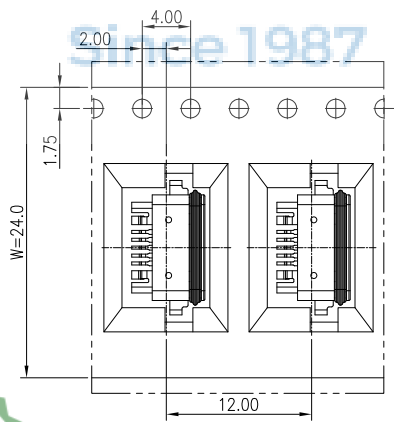
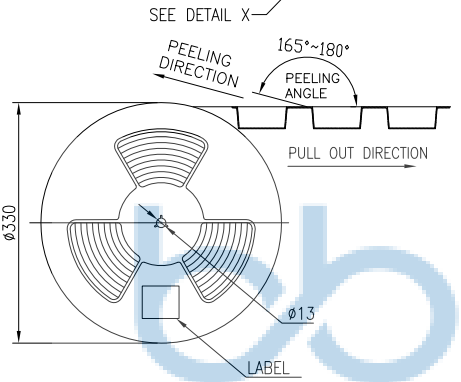
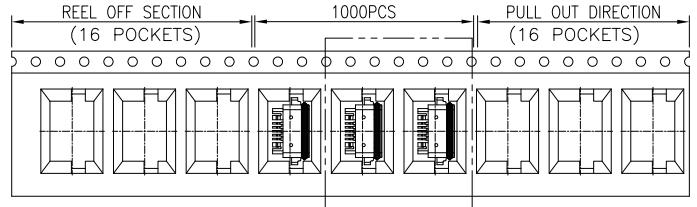
PJ. NO.: MC.01.72-11-J003  
SIZE: A4 DRW NO.:

FINISH: SEE NOTES MAT'L.: SEE NOTES  
SCALE: N/A REV.: A3 UNIT: mm PAGE: 1/1

APPD.	JM_Zheng	23/05'02
CHKD.	LYX	23/05'02
DR.	SGF	23/05'02



REV.	ECN NO	CONTENT	DATE	ENGINEER
A0			2023 20/04	



	REEL	CARTON
CONNECTOR (PCS)	1000	10000



THIS DOCUMENT IS THE SOLE PROPERTY OF BBJconn Technology Co., Ltd. Corporation AND SHOULD NOT BE USED IN WHOLE OR IN PART WITHOUT PRIOR WRITTEN PERMISSION.

PDWG.NO: 0523-1

DR. SGF 23/05/02

APPD. JM\_Zheng 23/05/02

CHKD. LYX 23/05/02

深圳市步步精科技有限公司

NAME: MICRO-5P 防水母座 L=6.05 沉板2.10 端子SMT 四脚插 无柱 平口 不锈钢外壳 雾锡 IPX6 带防水圈

PJ. NO.: MC.01.72-11-J003

SIZE: A4 | DRW NO.:

FINISH: SEE NOTES | MAT'L.: SEE NOTES

SCALE: N/A | REV.: A3 | UNIT: mm | PAGE: 1/1