

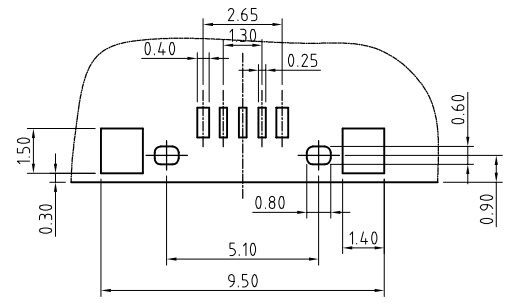
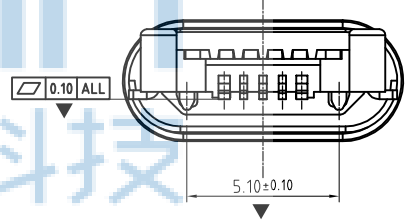
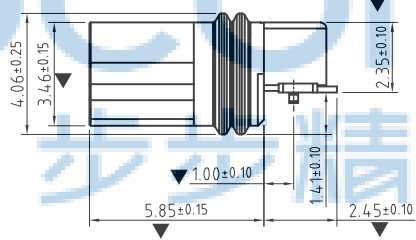
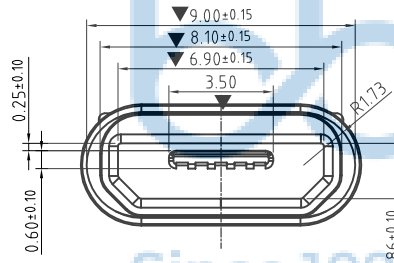
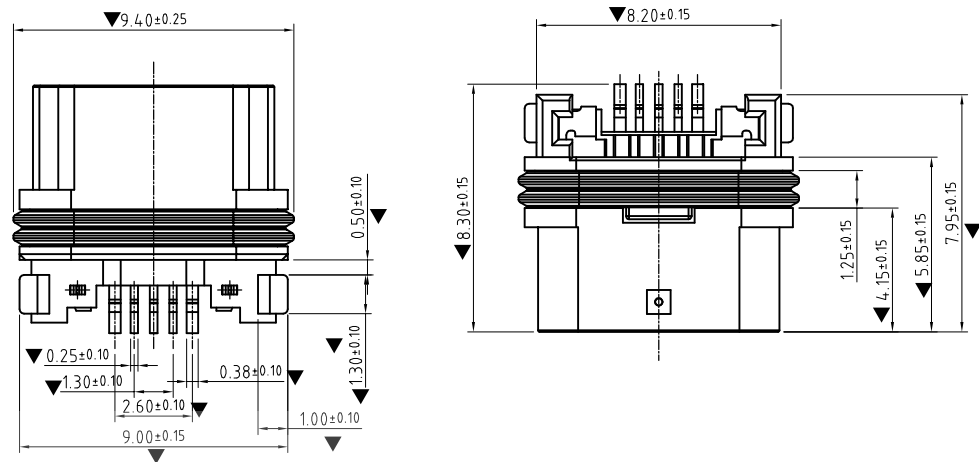
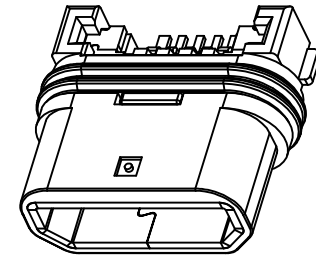
REV.	ECN NO	CONTENT	DATE	ENGINEER
A0			2023 20/04	

Notes:

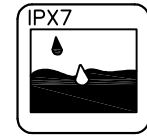
1. Dimension shall be interpreted per ASME Y14.5M1994.
2. Dimension marked ∇ & \blacktriangledown should be checked by Q.C. and process, engineers and ∇ should also check the CPK data.

Specification:

1. Current Rating: 1.0 AMP
2. Voltage Rating: 30V AC/DC
3. Dielectric Strength: 500V AC RMS for 1 minute.
4. Contact Resistance: 30 mΩ Max.
5. Insulator Resistance: 500M Ω Min. AT 250V DC.
6. Mating/Unmating cycles: 2000cycles
7. Temperature: -20°C to +60°C



P. C. B LAYOUT



3	Shell	1	C2680R-H Au/Ni Plating T=0.30mm
3	Contact	5	Phosphor bronze C5210R-EH Au/Ni Plating T=0.20mm
2	Housing-2	1	PA9T&LCP (G. F30%)
1	Housing-1	1	PA9T&LCP (G. F30%)
ITEM	PART NAME	Q'TY	FINISH

THIS DOCUMENT IS THE SOLE PROPERTY OF BBJconn Technology Co., Ltd. Corporation AND SHOULD NOT BE USED IN WHOLE OR IN PART WITHOUT PRIOR WRITTEN PERMISSION.

PDWG.NO: 0523-1

APPD. JM_Zheng 23/05'02

CHKD. LYX 23/05'02

DR. SGF 23/05'02

NAME: MICRO 5P 防水B型 沉板1.4 L=7.95 后两脚贴 平口铜壳 雾锡 SMT IPX7

PJ. NO.: MC.01.72-11-J001

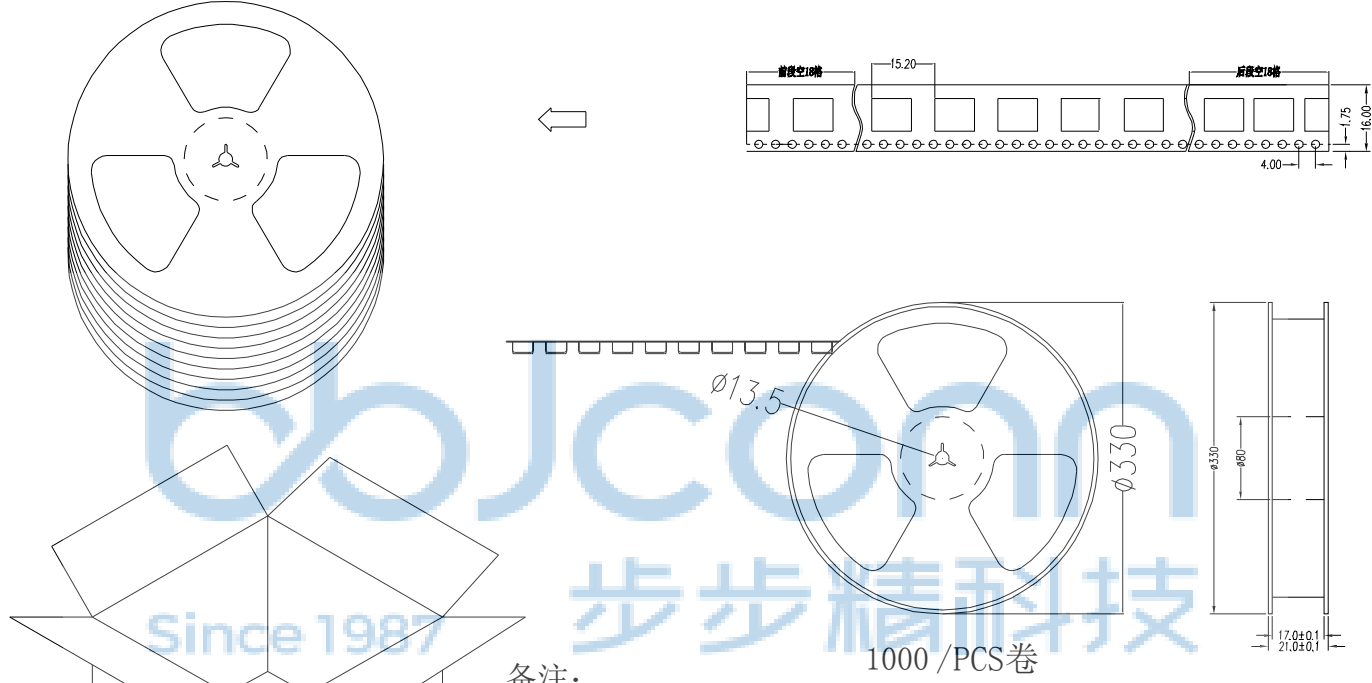
SIZE: A4 DRW NO.:

FINISH: SEE NOTES MAT'L.: SEE NOTES

SCALE: N/A REV.: A3 UNIT: mm PAGE: 1/1

深圳市步步精科技有限公司

REV.	ECN NO	CONTENT	DATE	ENGINEER
A0			2023 20/04	



1000 / PCS 卷

备注:

1. 包装数量: 1000 / PCS / 卷, 10卷 / 箱或15卷 / 箱。
2. 包装袋长度: 每卷前后各空10-20个空格, 中间包装。
3. 材质:
载体: 聚丙烯 (PS), 阻抗 $10^{6-9} \Omega$
上带: 聚乙烯 (PET), 阻抗 $10^{6-11} \Omega$
卷盘: 聚苯乙烯。

纸箱规格: 345*345*23MM
纸箱规格: 345*345*35MM



THIS DOCUMENT IS THE SOLE PROPERTY OF BBJconn Technology Co.,Ltd. Corporation AND SHOULD NOT BE USED IN WHOLE OR IN PART WITHOUT PRIOR WRITTEN PERMISSION.		深圳市步步精科技有限公司	
.X: ±0.38 .XX: ±0.25 .XXX: ±0.13		X': ±3" X'': ±2" X'X': ±1"	
APPD.	JM_Zheng	23/05/02	NAME: MICRO 5P 防水B型 沉板1.4 L=7.95 后两脚贴 平口铜壳 SMT IPX7
CHKD.	LYX	23/05/02	PJ. NO.: MC.01.72-11-J001
DR.	SGF	23/05/02	SIZE: A4 DRW NO.:
PDWG.NO: 0523-1		FINISH: SEE NOTES MAT'L.: SEE NOTES	
		SCALE: N/A REV.: A3 UNIT: mm PAGE: 1/1	