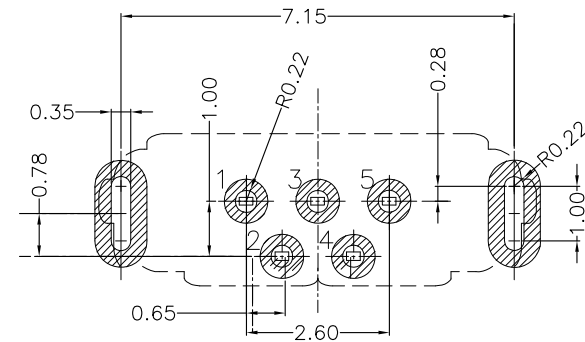
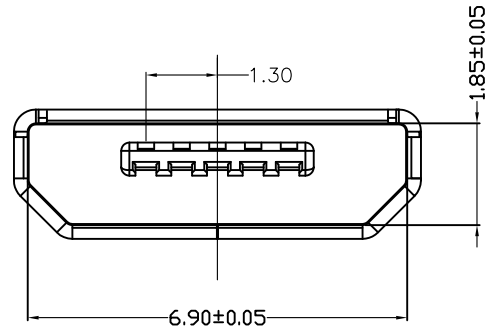
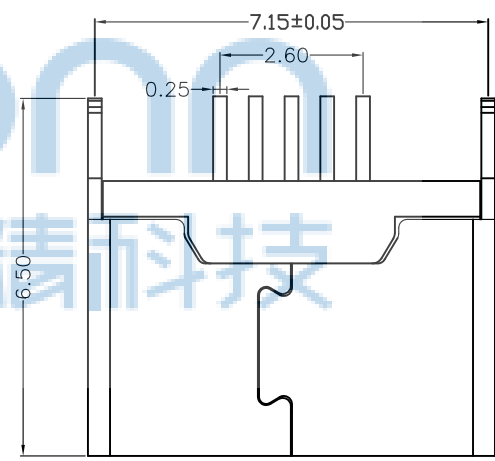
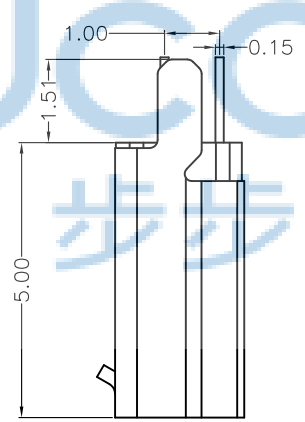
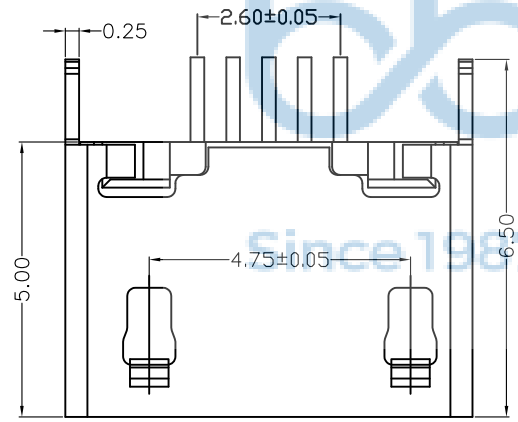


REV.	ECN NO.	CONTENT	DATE	ENGINEER
AO			2023 20/04	



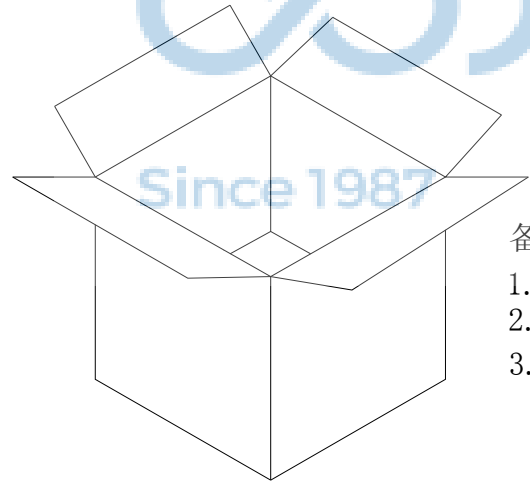
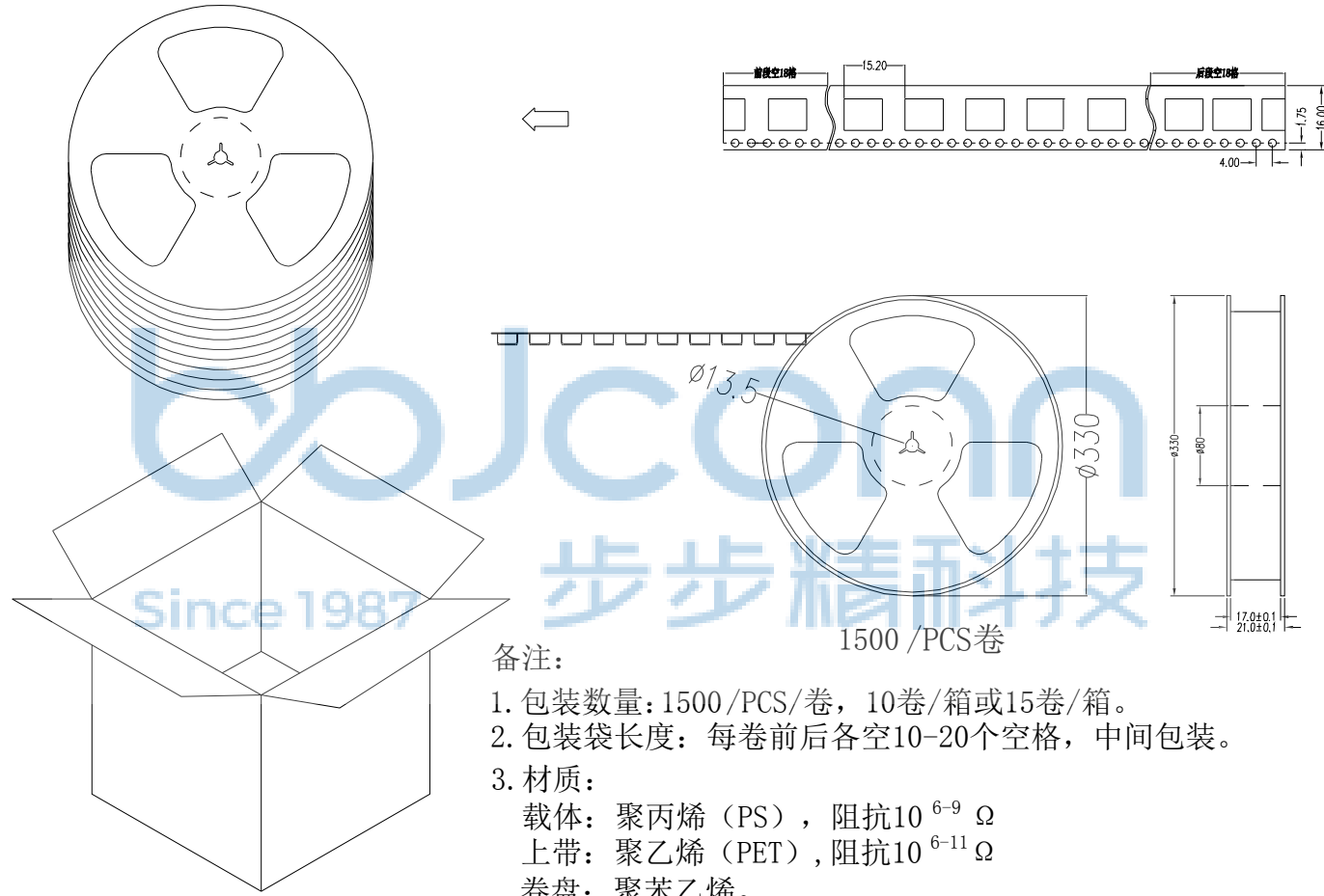
RECOMMENDED P.C.B LAYOUT

- 备注:
- 产品规格:
 - 1-1. 插入力: 35N MAX.
 - 1-2. 拔出力: 10N MIN. INITIAL 8-20N AFTER
 - 1-3. 额定电流: 1.0A
 - 1-4. 额定电压: 30V
 - 1-5. 耐久性: 3000 CYCLES MIN.
 - 1-6. 耐电压: 100V AC MIN.
 - 1-7. 接触阻抗: 30mΩ MAX. INITIAL; 40mΩ MAX
 - 1-8. 绝缘电阻: 100MΩ MIN
 - 1-9. 工作温度: -30° TO +80°
 - 材质:
 - 2.1 胶芯: LCP UL94V-0
 - 2.2 端子: C2680, 镍底, 镀金 1 μ "
 - 2.3 外壳: SUS/C2680
 - 所用材质须符合RoHS要求



THIS DOCUMENT IS THE SOLE PROPERTY OF BBJconn Technology Co., Ltd. Corporation AND SHOULD NOT BE USED IN WHOLE OR IN PART WITHOUT PRIOR WRITTEN PERMISSION.		深圳市步步精科技有限公司	
.X: ±0.38	.XX: ±0.25	.X': ±3"	.X': ±2"
.XXX: ±0.13	.XX': ±1"	NAME: MICRO 5P 母座 180度 直插 H=5.0 脚长1.5 平口 LCP黑胶 不锈钢外壳(不加盖) 雾锡 冷封编带	
APPD. JM_Zheng	23/05'02	PJ. NO.: MC.01.82-11-1003	
CHKD. LYX	23/05'02	SIZE: A4 DRW NO.:	
PDWG.NO: 0113-1	DR. SGF	23/05'02	FINISH: SEE NOTES MAT'L.: SEE NOTES
		SCALE: N/A	REV.: A3 UNIT: mm PAGE: 1/1

REV.	ECN NO	CONTENT	DATE	ENGINEER
A0			2023 20/04	



备注:

1. 包装数量: 1500 /PCS/卷, 10卷/箱或15卷/箱。
2. 包装袋长度: 每卷前后各空10-20个空格, 中间包装。
3. 材质:
载体: 聚丙烯 (PS), 阻抗 $10^{6-9} \Omega$
上带: 聚乙烯 (PET), 阻抗 $10^{6-11} \Omega$
卷盘: 聚苯乙烯。

纸箱规格: 345*345*23MM
纸箱规格: 345*345*35MM



THIS DOCUMENT IS THE SOLE PROPERTY OF BBJconn Technology Co.,Ltd. Corporation AND SHOULD NOT BE USED IN WHOLE OR IN PART WITHOUT PRIOR WRITTEN PERMISSION.		深圳市步步精科技有限公司 .X: ±0.38 .X': ±3' .XX: ±0.25 .X'': ±2' .XXX: ±0.13 .XX': ±1'		NAME: MICRO 5P 母座 180度 直插 H=5.0 脚长1.5 平口 LCP黑胶 不锈钢外壳 (不加盖) 雾锡 冷封编带 PJ. NO.: MC.01.82-11-1003 SIZE: A4 DRW NO.: FINISH: SEE NOTES MAT'L.: SEE NOTES SCALE: N/A REV.: A3 UNIT: mm PAGE: 1/1	
PDWG.NO: 0113-1	DR.	SGF	23/05'02		