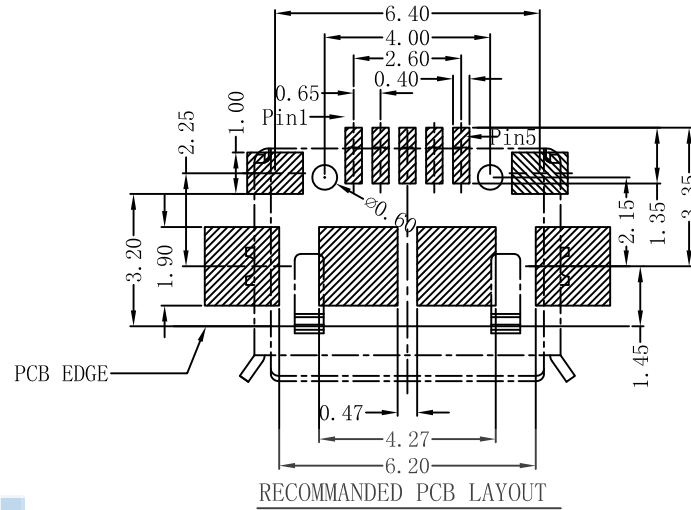
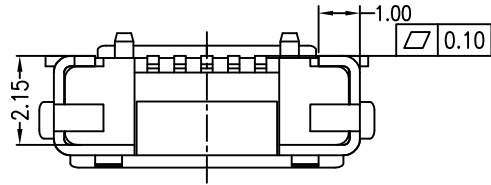


REV.	ECN NO	CONTENT	DATE	ENGINEER
A0			2023 20/04	



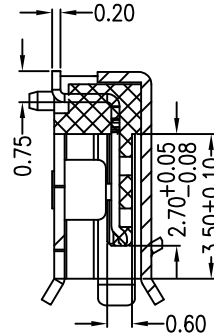
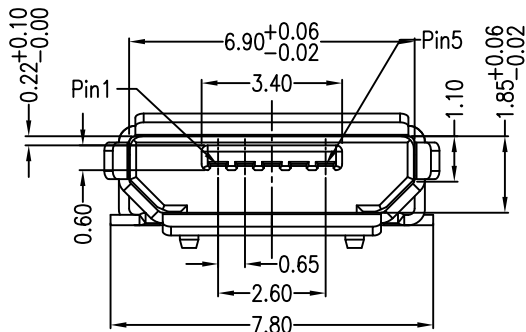
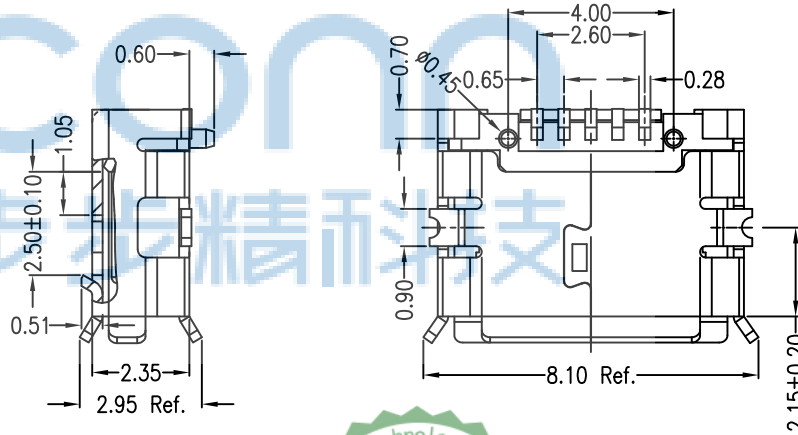
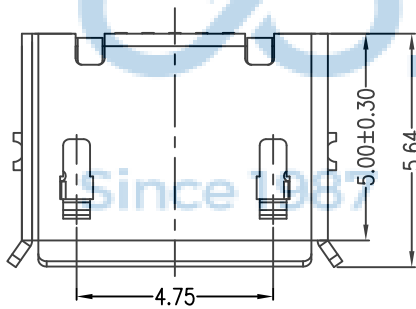
Note:

1. Material:

- 1.1 Housing: High temperature thermoplastic with g.f, UL94v-0
- 1.2 Contact: copper alloy, t=0.20mm
- 1.3 Shell: copper or sus304, t=0.25mm

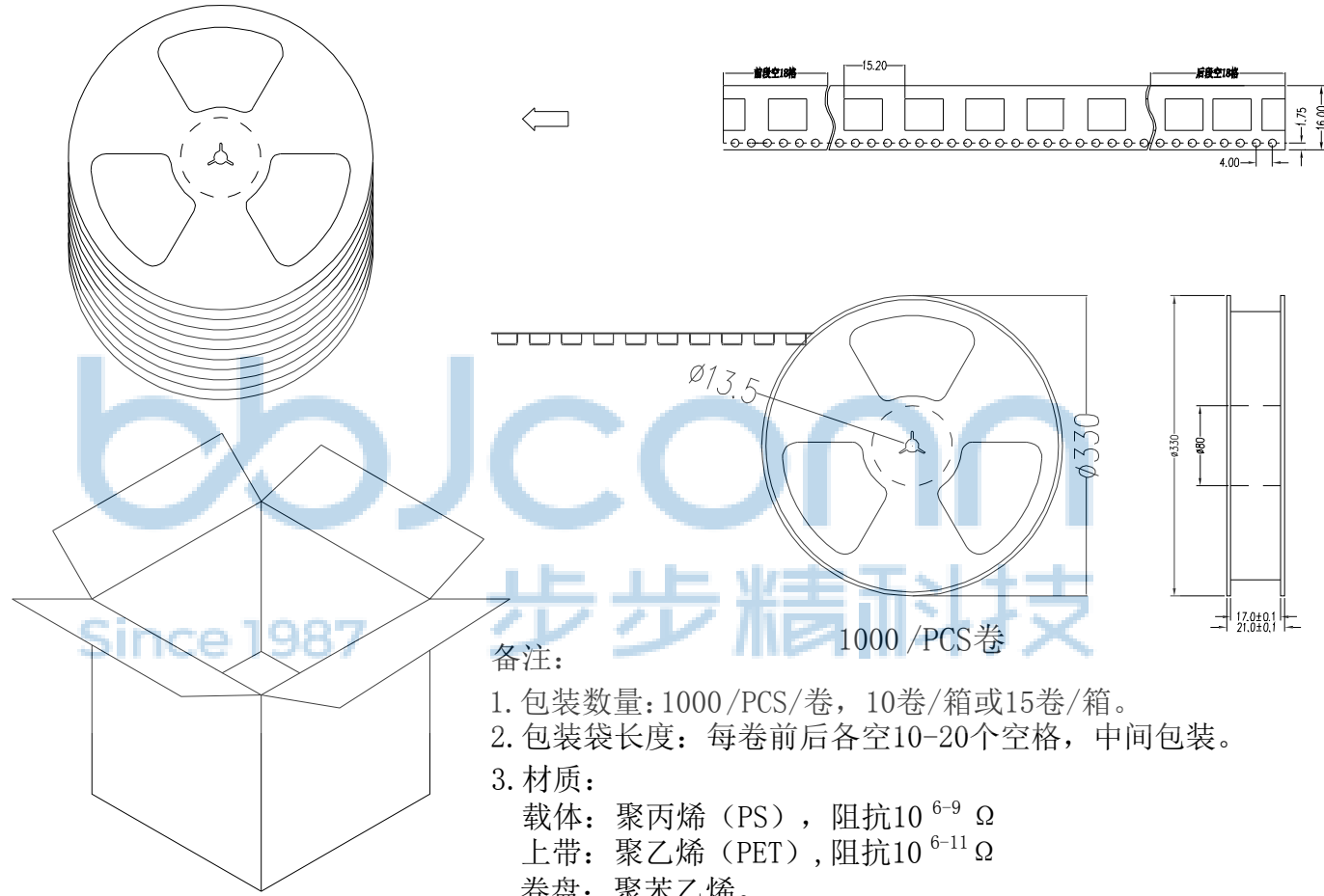
2. Specification:

- 2.1 Current rating: 1, 5PIN 1.8A Max/2, 3, 4PIN 1A Max.
- 2.2 Dielectric withstanding voltage: 100 V(ac) for 1 min.
- 2.3 Contact resistance: 30 mΩ Max.
- 2.4 Insulation resistance: 100 MΩ Min.
- 2.5 Total mating force: 3.57 Kgf Max.
- 2.6 Total unmating force: 1.0 Kgf Min
- 2.7 Temperature range: -30° C~80° C
- 2.8 Durability: 10000 times



THIS DOCUMENT IS THE SOLE PROPERTY OF BBJconn Technology Co., Ltd. Corporation AND SHOULD NOT BE USED IN WHOLE OR IN PART WITHOUT PRIOR WRITTEN PERMISSION.		深圳市步步精科技有限公司	
PDWG.No: 0113-1	DR. SGF	.X: ±0.38 .XX: ±0.25 .XXX: ±0.13 X*: ±3' .X*: ±2' .XX*: ±1'	NAME: MICRO-5P 母座 L=5.64 全贴 有柱 卷边 不锈钢外壳 雾锡 PJ. NO.: MC.01.31-11-1002 SIZE: A4 DRW NO.: FINISH: SEE NOTES MAT'L.: SEE NOTES SCALE: N/A REV.: A3 UNIT: mm PAGE: 1/1

REV.	ECN NO	CONTENT	DATE	ENGINEER
A0			2023 20/04	



备注：
1. 包装数量：1000 /PCS/卷，10卷/箱或15卷/箱。
2. 包装袋长度：每卷前后各空10-20个空格，中间包装。
3. 材质：
载体：聚丙烯（PS），阻抗 $10^{6-9} \Omega$
上带：聚乙烯（PET），阻抗 $10^{6-11} \Omega$
卷盘：聚苯乙烯。
纸箱规格：345*345*23MM
纸箱规格：345*345*35MM



THIS DOCUMENT IS THE SOLE PROPERTY OF BBJconn Technology Co.,Ltd. Corporation AND SHOULD NOT BE USED IN WHOLE OR IN PART WITHOUT PRIOR WRITTEN PERMISSION.		深圳市步步精科技有限公司 .X: ±0.38 .X': ±3" .XX: ±0.25 .X": ±2" .XXX: ±0.13 .XX': ±1"		NAME: MICRO-5P 母座 L=5.64 全贴 有柱 卷边 不锈钢外壳 雾锡 PJ. NO.: MC.01.31-11-1002 SIZE: A4 DRW NO.: FINISH: SEE NOTES MAT'L.: SEE NOTES SCALE: N/A REV.: A3 UNIT: mm PAGE: 1/1	
APPD.	JM_Zheng	23/05'02	CHKD.	LYX	23/05'02
DR.	SGF	23/05'02	PDWG.NO: 0113-1		