



规格说明: Specifications:

电气特性: Electrical:

1. 额定电流: Current Rating
1.5A/contact terminal
2. 额定电压: Voltage Rating
30V DC
3. 接触阻抗: Contact Resistance
30 milliohms MAX
4. 耐电压: Dielectric Withstanding Voltage:
500 V AC AT Sea Level
5. 绝缘阻抗: Insulation Resistance:
1000MEGA ohms MIN

物理性能: Mechanical:

1. 插拔力: Connector Mate and Unmate Force
Mate force: 3.57kgf (MAX)
Unmate force: 1.02kgf (MIN)
2. 端子保持力: Terminal Retention
1.0kgf (MIN)

原材料: Material:

1. 塑胶: Housing: LCP UL94V-0
Hing Temperature Tnermaplastics,
2. 端子: Contact: Copper Alloy C5191
3. 外壳: Shell: Copper Alloy C2680

电镀: Finish:

1. 端子: Contact: Plated Gold in Mating Area;
Tin On Solder Talls

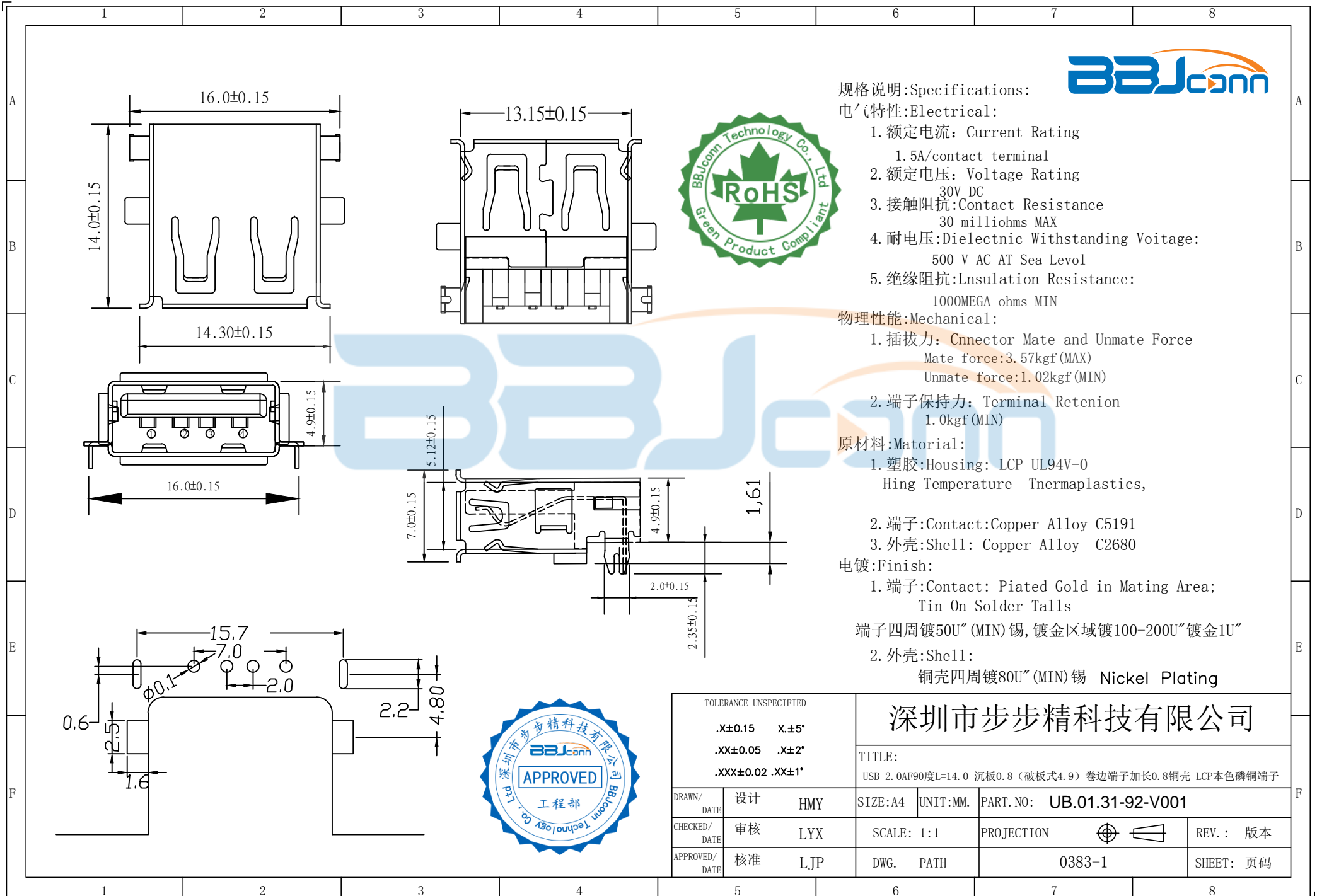
端子四周镀50U" (MIN) 锡, 镀金区域镀100-200U" 镀金1U"

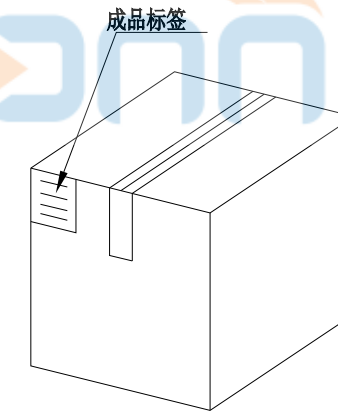
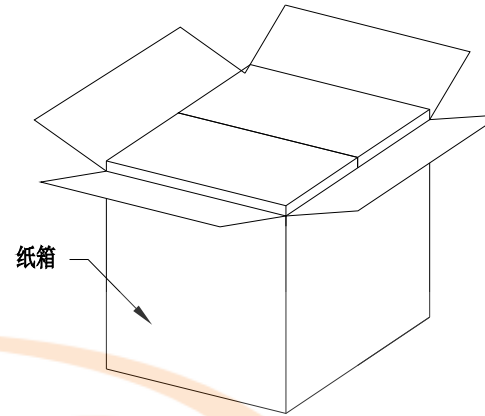
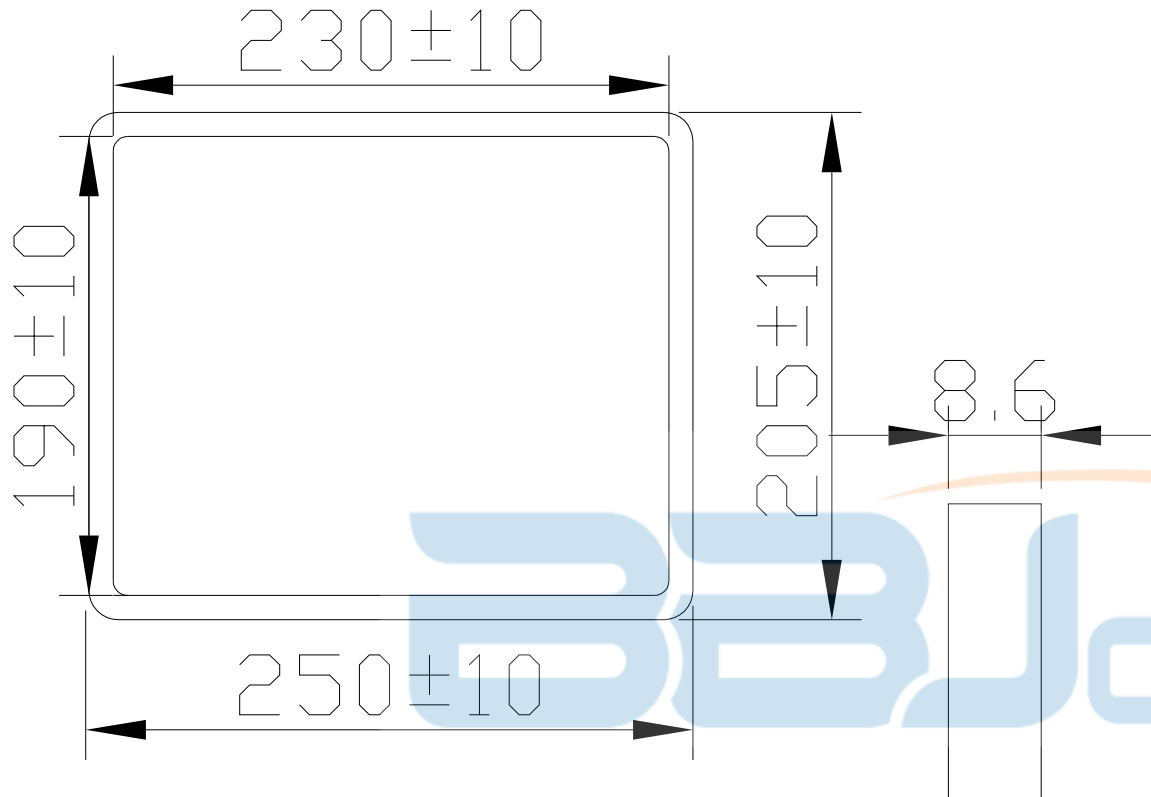
2. 外壳: Shell:

铜壳四周镀80U" (MIN) 锡 Nickel Plating



TOLERANCE UNSPECIFIED		深圳市步步精科技有限公司	
.X±0.15	X±5°	TITLE:	
.XX±0.05	.X±2°	USB 2.0AF90度L=14.0 沉板0.8 (破板式4.9) 卷边端子加长0.8铜壳 LCP本色磷铜端子	
.XXX±0.02	.XX±1°	SIZE: A4	UNIT: MM.
DRAWN/ DATE	设计 HMY	PART. NO:	UB.01.31-92-V001
CHECKED/ DATE	审核 LYX	SCALE: 1:1	PROJECTION
APPROVED/ DATE	核准 LJP	DWG. PATH	0383-1
			REV.: 版本
			SHEET: 页码





纸箱规格：350*210*290

1. 包装要求:

- 1.1 每盒吸塑盒包装100pcs;
- 1.2 每20盘放一箱, 共计2000PCS;

1.3 纸箱外贴上标签



TOLERANCE UNSPECIFIED		深圳市步步精科技有限公司 TITLE: USB 2.0AF90度L=14.0 沉板0.8 (破板式4.9) 卷边端子加长0.8铜壳 LCP本色磷铜端子			
.0	±0.35				
.00	±0.25				
.000	±0.15				
X.°	±2.00°				
CUSTOMER DRAWING		PART. NO: UB.01.31-92-V001			
DRAWN/ DATE	设计 HMY	SIZE: A4	UNIT: MM.	PROJECTION	
CHECKED/ DATE	审核 LYX	SCALE: 1:1	REV.: 版本		
APPROVED/ DATE	核准 LJP	DWG. PATH	0383-1		SHEET: 页码