



REV.	DESCRIPTION	NAME	DATE
A	NEWS ISSUE		

NOTES:

1. MATERIAL SPECIFICATION

- 1) INSULATION MATERIAL THERMOPLASTIC.
- 2) SHELL: COPPER ALLOY/C2680, T:0.30mm  
PLATING: NICKEL
- 3) TERMINAL: COPPER ALLOY, T:0.25mm  
PLATING: GOLD/TIN PLATED.

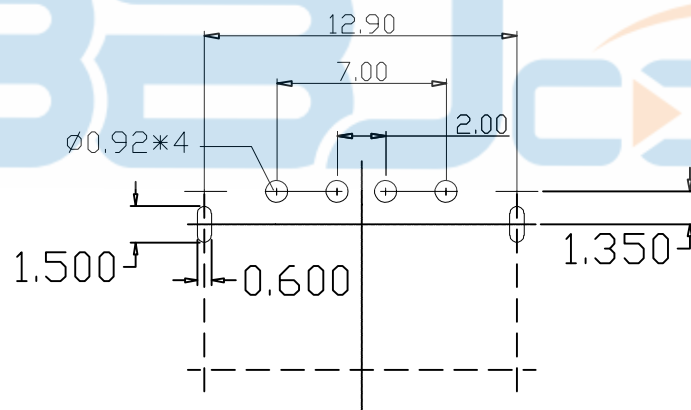
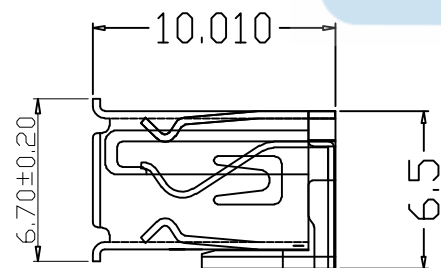
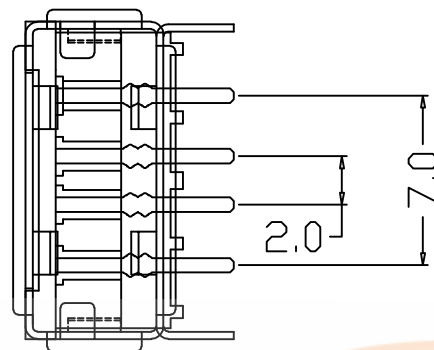
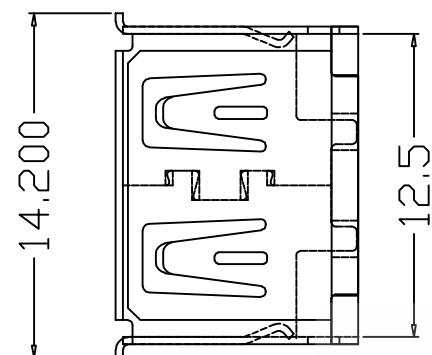
2. ELECTRICAL CHARACTERISTIC:

- 1) INSULATION RESISTANCE: 1000MΩ MIN.
- 2) CONTACT RESISTANCE: 30mΩ MAX.
- 3) WITHSTANDING VOLTAGE: 500V AC.

3. MECHANICAL CHARACTERISTICS:

- 1) INSERTION FORCE: 3.57Kgf MAX.
- 2) EXTRACTION FORCE: 1.02Kgf MIN.

ORDERING INFORMATION



RECOMMENDED P. C. B LAYOUT

1.60±0.15



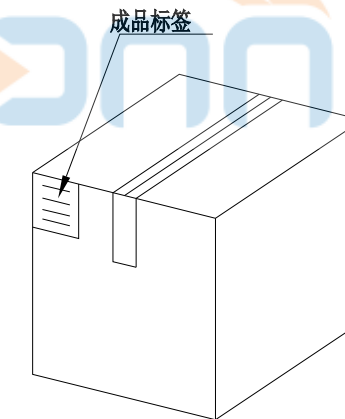
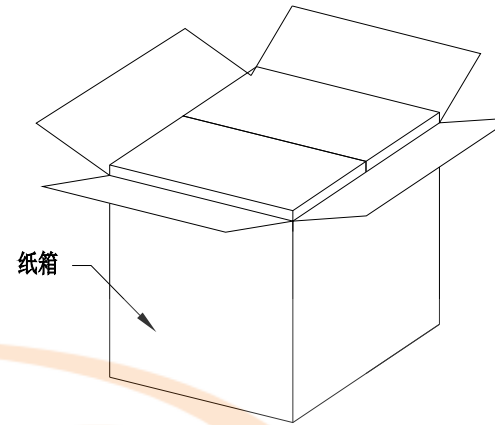
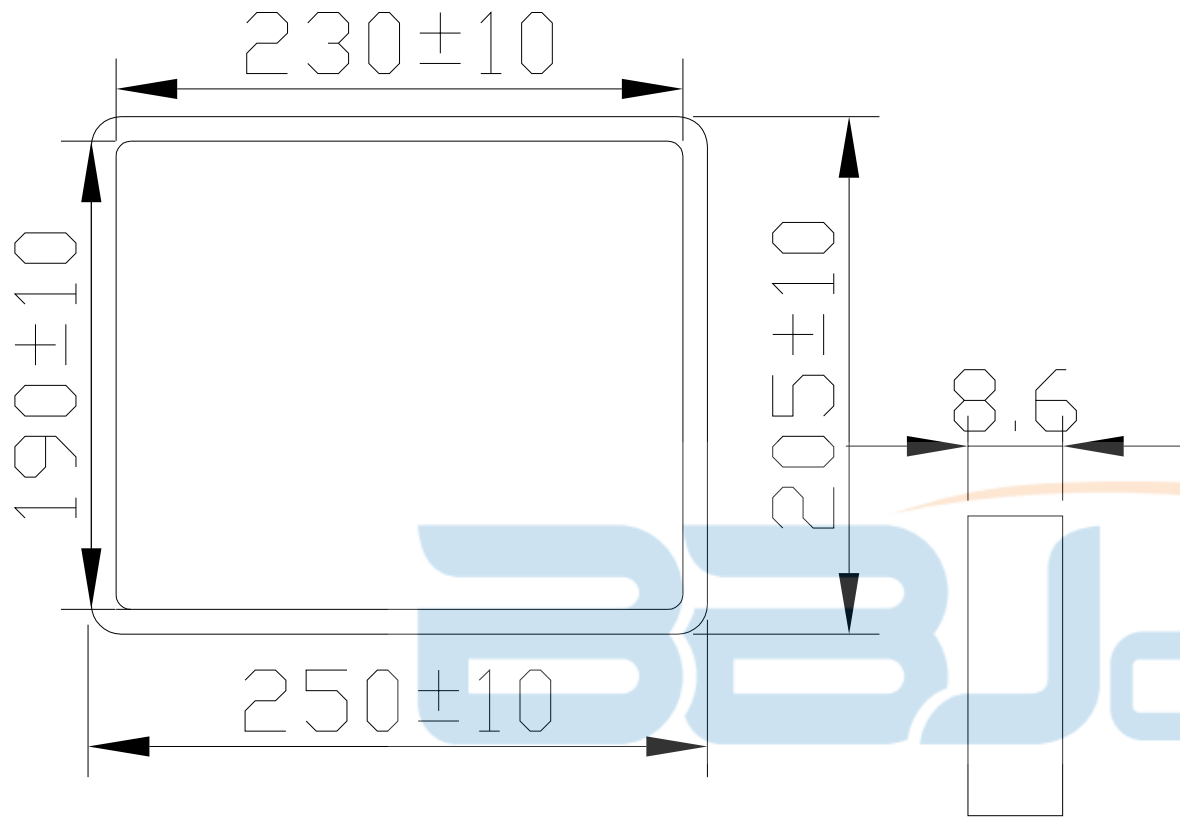
TOLERANCE UNSPECIFIED	
. 未指定公差	
. 0	±0.35
. 00	±0.25
. 000	±0.15
X. °	±2.00°

CUSTOMER DRAWING

**深圳市步步精科技有限公司**

TITLE: USB 2.0AF90度L=10.0鱼叉脚后俩脚插 (端子DIP) PBT黑胶 卷边 铜壳

DRAWN/ 设计	YDH	SIZE:A4	UNIT:MM.	PART. NO:	UB.01.11-12-V003
CHECKED/ 审核	LYX	SCALE: 1:1	PROJECTION		REV.: 版本
APPROVED/ 核准	LJP	DWG. PATH	0383-1	SHEET: 页码	



纸箱规格：350\*210\*290

1. 包装要求:

- 1.1 每盒吸塑盒包装100pcs;
- 1.2 每20盘放一箱，共计2000PCS;
- 1.3 纸箱外贴上标签



TOLERANCE UNSPECIFIED		深圳市步步精科技有限公司 TITLE: USB 2.0AF90度L=10.0鱼叉脚后俩脚插(端子DIP) PBT黑胶 卷边 铜壳			
.0	±0.35	SIZE:A4	UNIT:MM.	PART. NO: UB.01.11-12-V003	
.00	±0.25	CHECKED/ DATE	SCALE: 1:1	PROJECTION	REV.: 版本
.000	±0.15	APPROVED/ DATE	DWG. PATH		SHEET: 页码
X.°	±2.00°				
CUSTOMER DRAWING					