



REV.	DESCRIPTION	NAME	DATE
A	NEWS ISSUE		

规格说明: Specifications:

电气特性: Electrical:

- 额定电流: Current Rating
1.5A/contact terminal
- 额定电压: Voltage Rating
30V DC
- 接触电阻: Contact Resistance
30 milliohms MAX
- 耐压: Dielectric Withstanding Voltage:
500 V AC AT Sea Level
- 绝缘电阻: Insulation Resistance:
1000MEGA ohms MIN

物理性能: Mechanical:

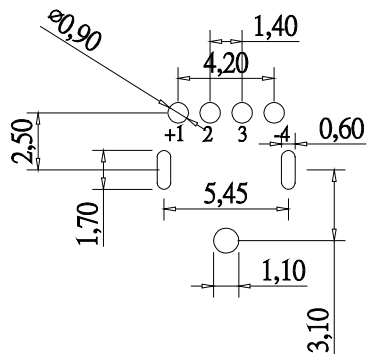
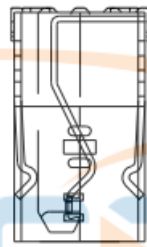
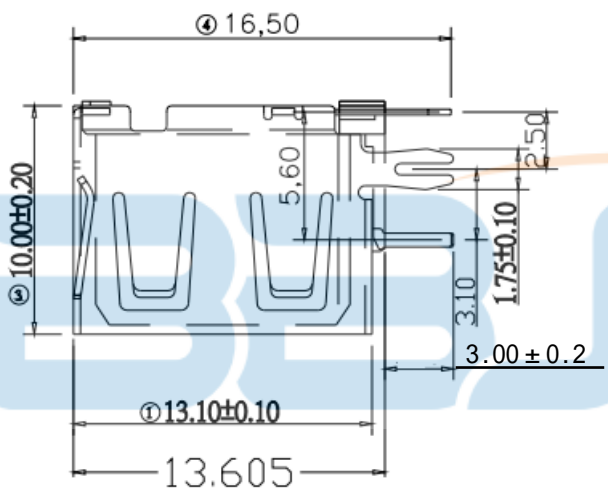
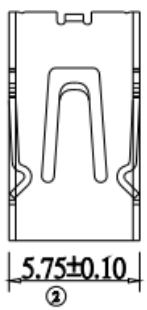
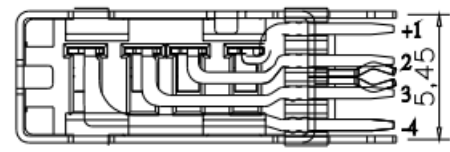
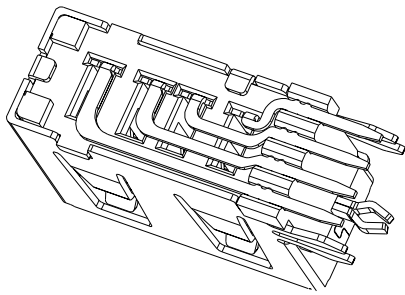
- 插拔力: Connector Mate and Unmate Force
Mate force: 3.57kgf (MAX)
Unmate force: 1.02kgf (MIN)
- 端子保持力: Terminal Retention
1.0kgf (MIN)

原材料: Material:

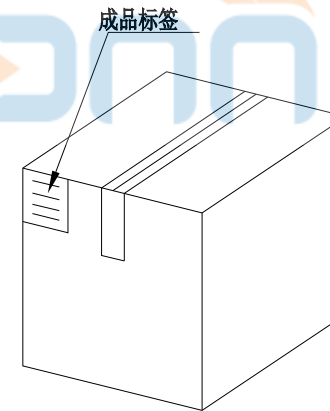
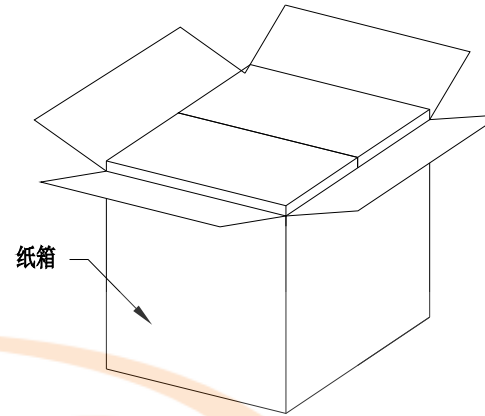
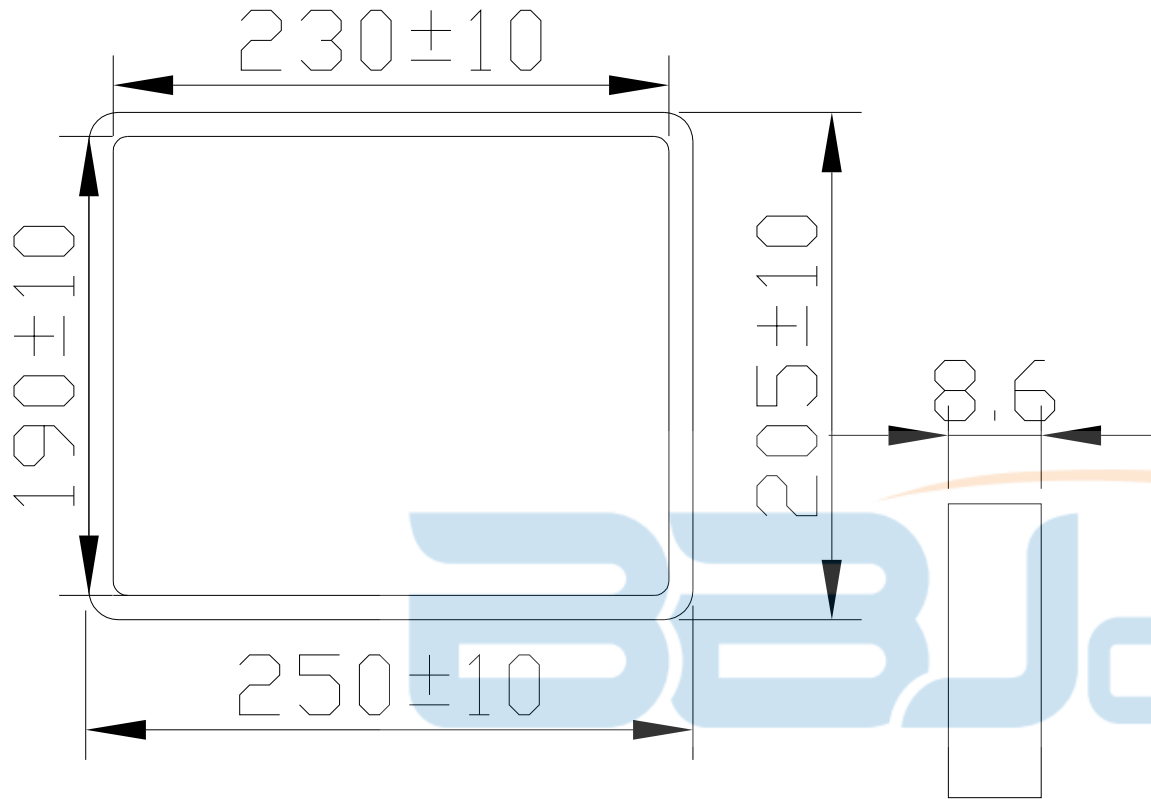
- 塑胶: Housing:
Hing Temperature Thermoplastics,
- 端子: Contact: Copper Alloy C5191
- 外壳: Shell: Copper Alloy C5191/SPCC

电镀: Finish:

- 端子: Contact: Plated Gold in Mating Area;
Tin On Solder Tails
端子四周镀50U”(MIN)锡, 镀金区域镀100-200U”镀金1U”
- 外壳: Shell:
铜壳四周镀80U”(MIN)锡
Nickel Plating



TOLERANCE UNSPECIFIED .X±0.15 X.±5° .XX±0.05 .X±2° .XXX±0.02 .XX±1°		深圳市步步精科技有限公司 TITLE: USB 2.0 母座侧插短体L=10.0平口直边0型脚铁壳白胶			
DRAWN/ DATE	设计 TSP	SIZE: A4	UNIT: MM.	PART. NO: UB.01.42-21-V001	F
CHECKED/ DATE	审核 LYX	SCALE: 1:1	PROJECTION	REV.: 版本	
APPROVED/ DATE	核准 LJP	DWG. PATH	0383-1	SHEET: 页码	



纸箱规格: 350*210*290

1. 包装要求:

- 1.1 每盒吸塑盒包装100pcs;
- 1.2 每20盘放一箱, 共计2000PCS;
- 1.3 纸箱外贴上标签



TOLERANCE UNSPECIFIED		深圳市步步精科技有限公司			
.0 ±0.35		TITLE:			
.00 ±0.25		USB 2.0 母座侧插短体L=10.0平口直边0型脚铁壳白胶			
.000 ±0.15		SIZE: A4	UNIT: MM.	PART. NO: UB.01.42-21-V001	
X. ° ±2.00°		CHECKED/ DATE	SCALE: 1:1	PROJECTION	REV.: 版本
CUSTOMER DRAWING		DRAWN/ DATE	DWG. PATH	0383-1	SHEET: 页码
		设计 TSP			
		审核 LYX			
		核准 LJP			