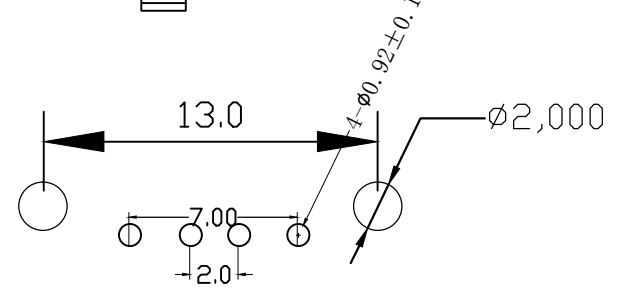
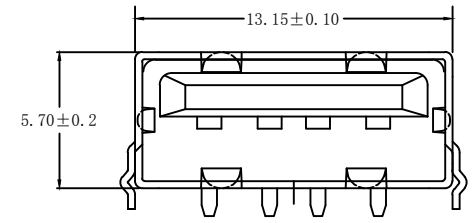
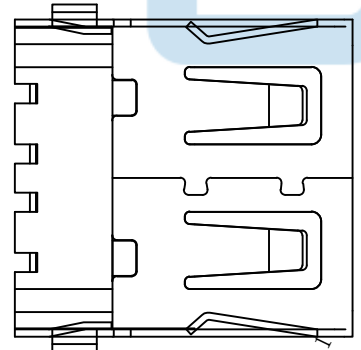
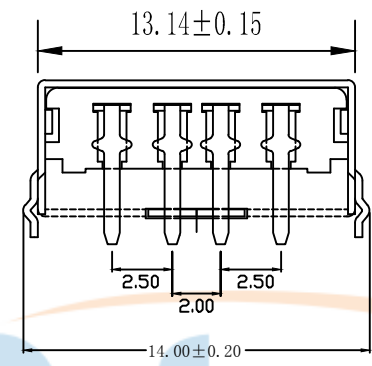
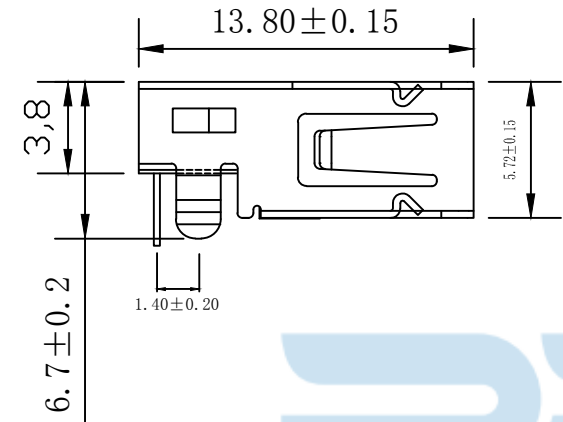




REV.	DESCRIPTION	NAME	DATE
A	NEWS ISSUE		

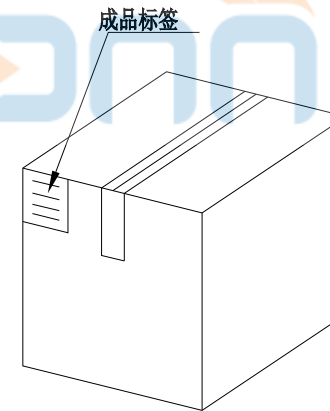
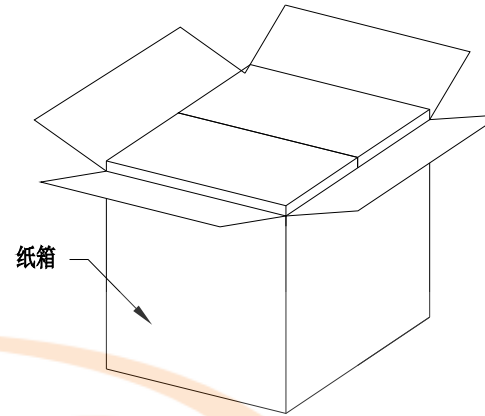
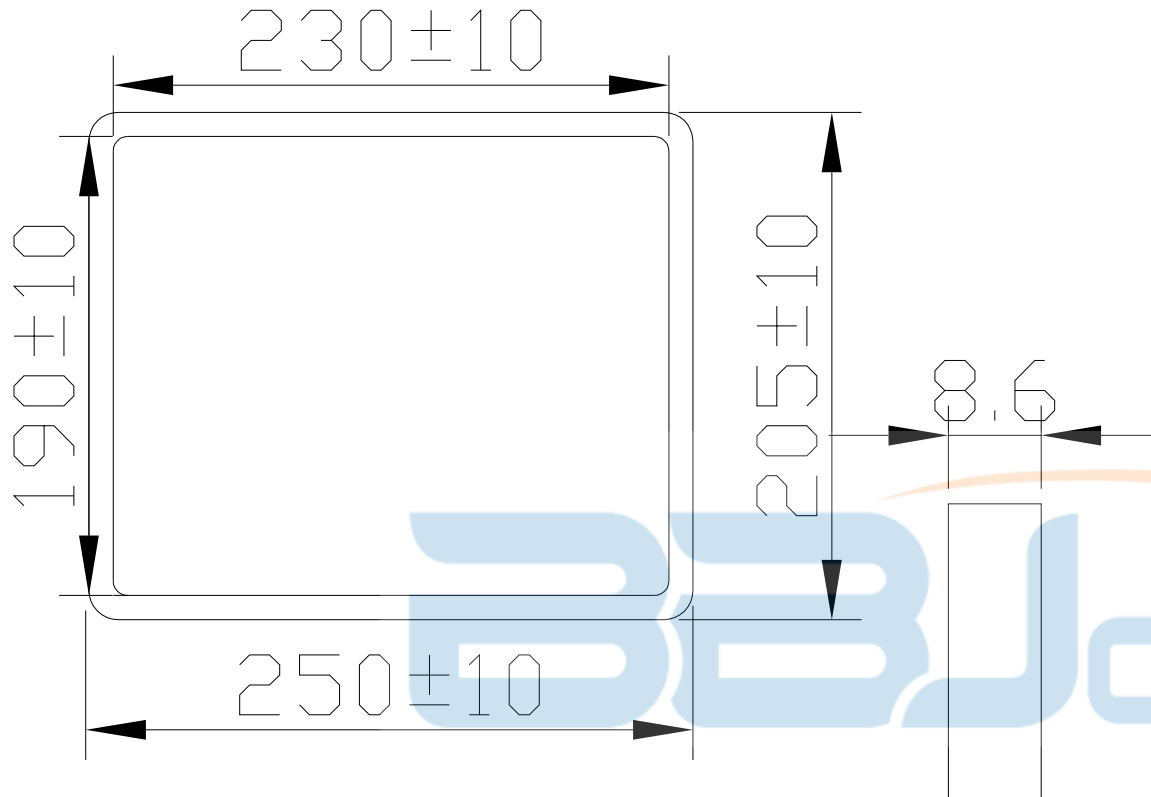
NOTE:

1. MATERIAL:
  - a. HOUSING: PBT GLASS FIBRE
  - b. CONTACT: PHOSPHOR BRONZE T=0.25mm  
(SURFACE PLATING: Au1u" + Sn100u" + Ni60u")
  - c. SHEEL: BRASS T=0.30mm  
(SURFACE PLATING: Ni100u" ~ 120u")
2. ELECTRIC:
  - a. CONTACT RESISTANCE: 30 MILLIOHMS MAX
  - b. INSULATION RESISTANCE: 1000 MEGA OHMS MIN
  - c. DIELECTRIC VOLTAGE: 500V AC ONE SEC LEVEL
  - d. OPERATING TEMPERATURE: -55??- 105??



RECOMMENDED P.C.B LAYOUT

TOLERANCE UNSPECIFIED		深圳市步步精科技有限公司 TITLE: USB AF90度沉板1.9 PBT黑色胶芯 平口 铁壳L=13.8			
.0	±0.35	SIZE: A4	UNIT: MM.	PART. NO: UB.01.62-11-V001	
.00	±0.25	CHECKED/ DATE		SCALE: 1:1	PROJECTION
.000	±0.15	DRAWN/ DATE		DWG. PATH	REV.: 版本
X.°	±2.00°	APPROVED/ DATE		0383-1	SHEET: 页码
CUSTOMER DRAWING		设计 LYX	审核 HMY	核准 LJP	



纸箱规格：350\*210\*290

### 1. 包装要求:

- 1.1 每盒吸塑盒包装100pcs;
- 1.2 每20盘放一箱，共计2000PCS;
- 1.3 纸箱外贴上标签



TOLERANCE UNSPECIFIED		深圳市步步精科技有限公司			
.0 ±0.35		TITLE: USB AF90度沉板1.9 PBT黑色胶芯 平口 铁壳L=13.8			
.00 ±0.25		SIZE: A4	UNIT: MM.	PART. NO: UB.01.62-11-V001	
.000 ±0.15		SCALE: 1:1		PROJECTION	REV.: 版本
X. ° ±2.00°		DWG. PATH		0383-1	SHEET: 页码
CUSTOMER DRAWING					
DRAWN/ DATE	设计 LYX				
CHECKED/ DATE	审核 HMY				
APPROVED/ DATE	核准 LJP				