



REV.	DESCRIPTION	NAME	DATE
A	NEWS ISSUE		

规格说明: Specifications:

电气特性: Electrical:

1. 额定电流: Current Rating
1.5A/contact terminal
2. 额定电压: Voltage Rating
30V DC
3. 接触电阻: Contact Resistance
30 milliohms MAX
4. 耐压: Dielectric Withstanding Voltage:
500 V AC AT Sea Level
5. 绝缘电阻: Insulation Resistance:
1000MEGA ohms MIN

物理性能: Mechanical:

1. 插拔力: Connector Mate and Unmate Force
Mate force: 3.57kgf(MAX)
Unmate force: 1.02kgf(MIN)
2. 端子保持力: Terminal Retention
1.0kgf(MIN)

原材料: Material:

1. 塑胶: Housing: PA 9t Orange
Hing Temperature Thermoplastics,
2. 端子: Contact: Copper Alloy C2680
3. 外壳: Shell: Copper Alloy Cc2680/SPCC

电镀: Finish:

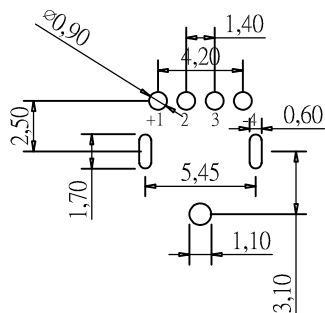
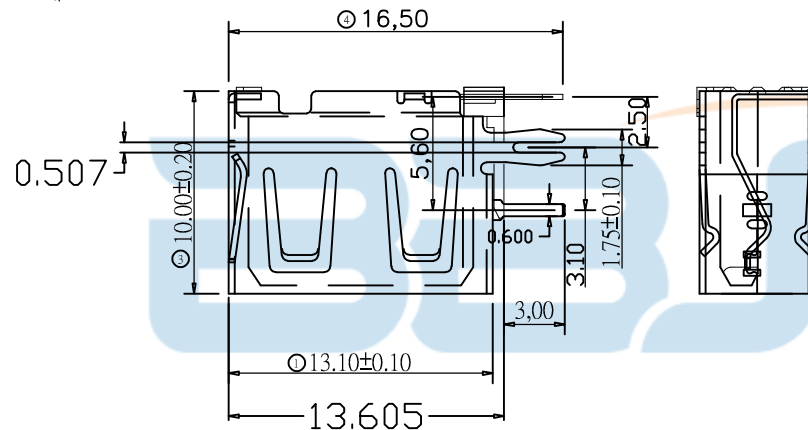
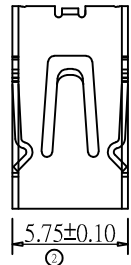
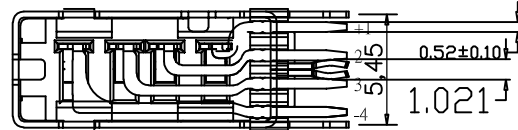
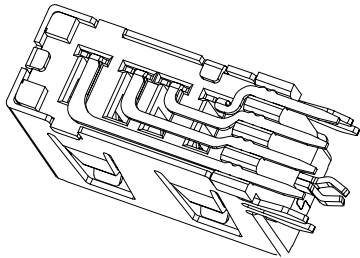
1. 端子: Contact: Plated Gold in Mating Area;
Tin On Solder Tails

端子四周镀50U”(MIN)锡, 镀金区域镀100-200U”镀金1U”

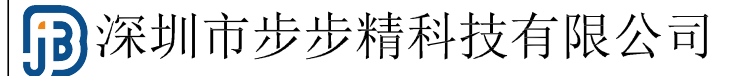
2. 外壳: Shell:

铜壳四周镀80U”(MIN)锡

Nickel Plating

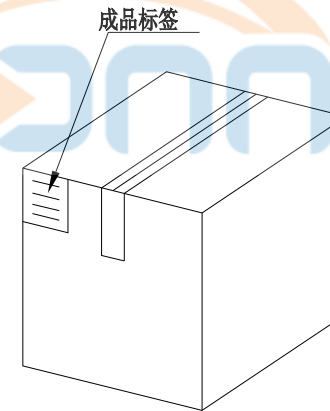
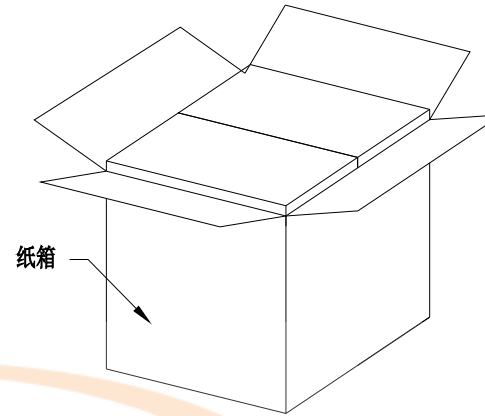
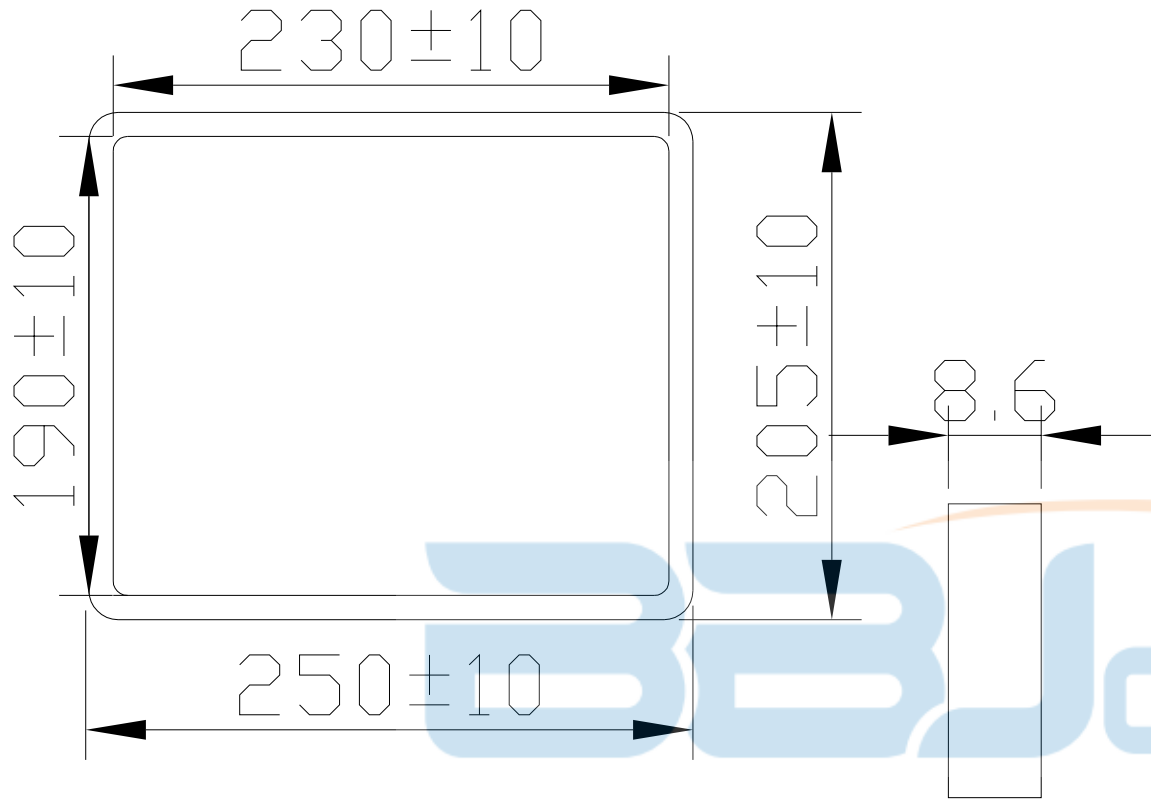


TOLERANCE UNSPECIFIED	
.0	±0.35
.00	±0.25
.000	±0.15
X.°	±2.00°
CUSTOMER DRAWING	



TITLE: USB 2.0 AF 侧插短体 L=10.0 平口 PA9T橙胶 (1505C) 铁壳

DRAWN/ DATE	设计 TSP	SIZE: A4	UNIT: MM.	PART. NO:	UB.01.42-51-V003
CHECKED/ DATE	审核 LYX	SCALE: 1:1		PROJECTION	REV.: 版本
APPROVED/ DATE	核准 LJP	DWG. PATH	0383-1		SHEET: 页码



纸箱规格：350*210*290

1. 包装要求:

- 1.1 每盒吸塑盒包装100 pcs;
- 1.2 每20盘放一箱，共计2000PCS;
- 1.3 纸箱外贴上标签



TOLERANCE UNSPECIFIED		深圳市步步精科技有限公司 TITLE: USB 2.0 AF 侧插短体 L=10.0 平口 PA9T橙胶 (1505C) 铁壳			
.0	±0.35	SIZE: A4	UNIT: MM.	PART. NO: UB.01.42-51-V003	
.00	±0.25	SCALE: 1:1		PROJECTION	REV.: 版本
.000	±0.15	APPROVED/ DATE	DWG. PATH	0383-1	
X. °	±2.00°	核准	LJP	SHEET: 页码	
CUSTOMER DRAWING		设计	TSP		
		审核	LYX		