



REV.	DESCRIPTION	NAME	DATE
A	NEWS ISSUE		

规格说明:Specifications:

电气特性:Electrical:

1. 额定电流: Current Rating
5A/contact terminal
2. 额定电压: Voltage Rating
30V DC
3. 接触阻抗:Contact Resistance
30 milliohms MAX
4. 耐电压:Dielectnic Withstanding Voitage:
500 V AC AT Sea Level
5. 绝缘阻抗:Insulation Resistance:
1000MEGA ohms MIN

物理性能:Mechanical:

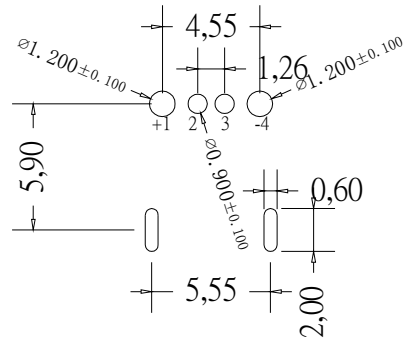
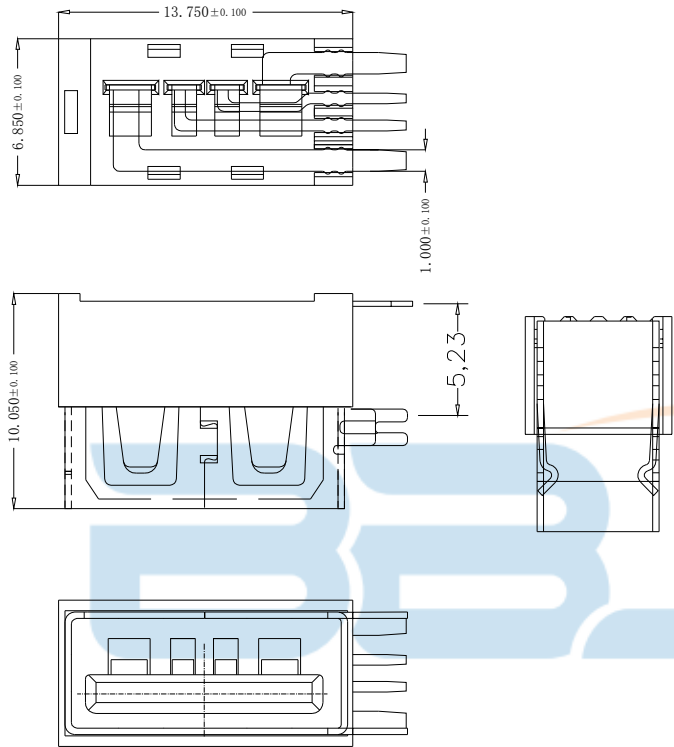
1. 插拔力: Cnnector Mate and Unmate Force
Mate force:3.57kgf (MAX)
Unmate force:1.02kgf (MIN)
2. 端子保持力: Terminal Retenion
1.02kgf (MIN)

原材料:Matorial:

1. 塑胶:Housing:LCP black
Hing Temperature Tnermaplastics,
2. 端子>Contact:Copper Alloy C7025
3. 外壳:Shell: Copper Alloy C2680/SPCC

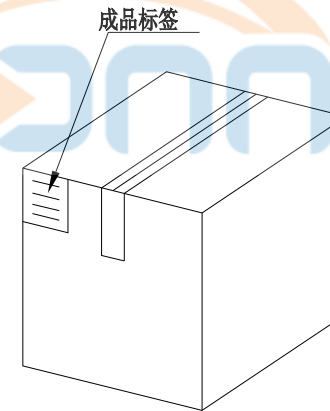
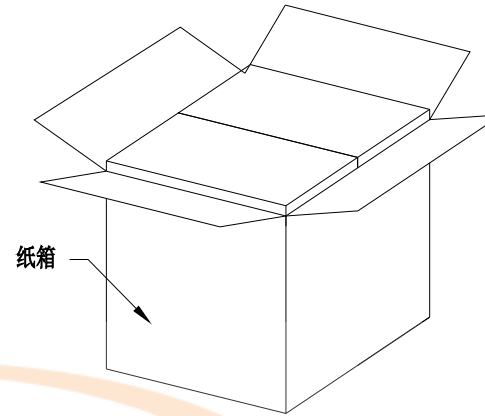
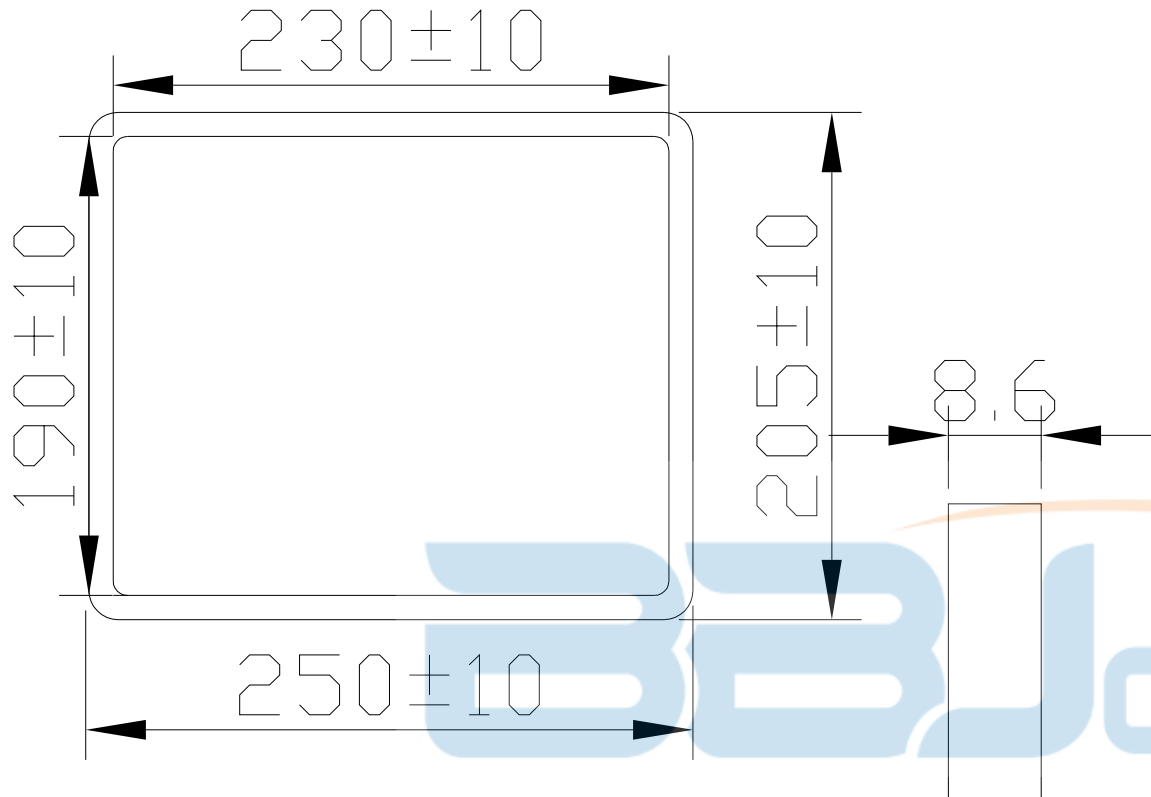
电镀:Finish:

1. 端子>Contact: Plated Gold in Mating Area;
Tin On Solder Talls
端子四周镀50U" (MIN) 锡, 镀金区域镀60-80U"镀金1U"
2. 外壳:Shell:
铜壳四周镀80U" (MIN) 锡
Nickel Plating



TOLERANCE UNSPECIFIED	
.X±0.15	X.±5°
.XX±0.05	.X±2°
.XXX±0.02	.XX±1°
DRAWN/DATE	设计 TSP
CHECKED/DATE	审核 LYX
APPROVED/DATE	核准 LJP

深圳市步步精科技有限公司			
TITLE: USB 2.0 母座 侧插短体 L=10.0 PBT防火橙胶 平口 铁壳 包胶大电流过5A			
SIZE:A4	UNIT:MM.	PART.NO: UB.01.42-51-V002	
SCALE: 1:1		PROJECTION	REV.: 版本
DWG. PATH		0383-1	SHEET: 页码



纸箱规格：350*210*290

1. 包装要求:

- 1.1 每盒吸塑盒包装100 pcs;
- 1.2 每20盘放一箱，共计2000PCS;
- 1.3 纸箱外贴上标签



TOLERANCE UNSPECIFIED		深圳市步步精科技有限公司 TITLE: USB 2.0 母座 侧插短体 L=10.0 PBT防火橙胶 平口 铁壳 包胶大电流过5A								
.0	±0.35									
.00	±0.25	DRAWN/ DATE		设计	TSP	SIZE: A4	UNIT: MM.	PART. NO: UB.01.42-51-V002		
.000	±0.15	CHECKED/ DATE		审核	LYX	SCALE: 1:1	PROJECTION		REV.: 版本	
X. °	±2.00°	APPROVED/ DATE		核准	LJP	DWG. PATH	0383-1		SHEET: 页码	
CUSTOMER DRAWING										