



| REV. | DESCRIPTION | NAME | DATE |
|------|-------------|------|------|
| A    | NEWS ISSUE  |      |      |

规格说明: Specifications:

电气特性: Electrical:

1. 额定电流: Current Rating  
1.5A/contact terminal
2. 额定电压: Voltage Rating  
30V DC
3. 接触电阻: Contact Resistance  
30 milliohms MAX
4. 耐压: Dielectric Withstanding Voltage:  
500 V AC AT Sea Level
5. 绝缘电阻: Insulation Resistance:  
1000MEGA ohms MIN

物理性能: Mechanical:

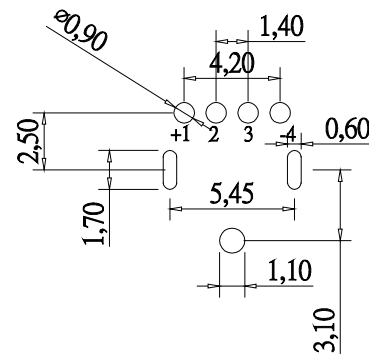
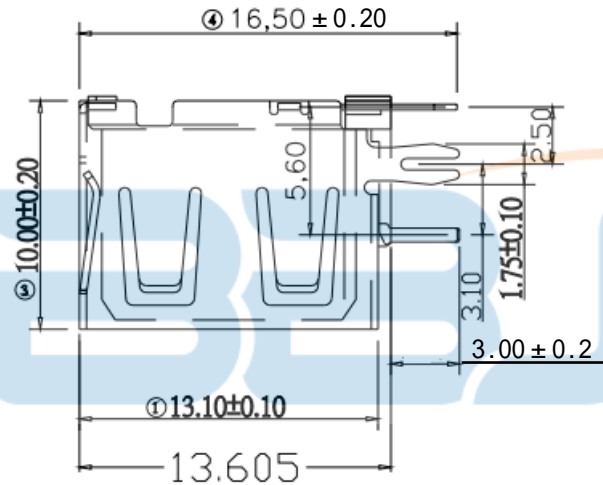
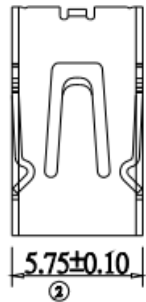
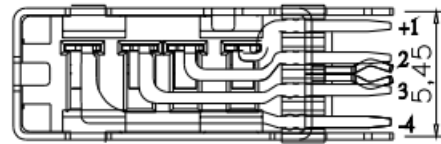
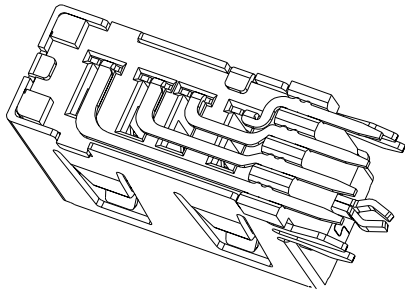
1. 插拔力: Connector Mate and Unmate Force  
Mate force: 3.57kgf (MAX)  
Unmate force: 1.02kgf (MIN)
2. 端子保持力: Terminal Retention  
1.0kgf (MIN)

原材料: Material:

1. 塑胶: Housing: LCP 米色  
Hing Temperature Thermoplastics,
2. 端子: Contact: Copper Alloy C5191
3. 外壳: Shell: Copper Alloy C5191 / SPCC

电镀: Finish:

1. 端子: Contact: Plated Gold in Mating Area;  
Tin On Solder Tails  
端子四周镀50U”(MIN)锡, 镀金区域镀100-200U”镀金1U”
2. 外壳: Shell:  
外壳四周镀80U”(MIN)锡  
Nickel Plating

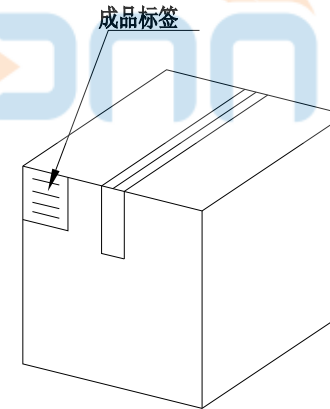
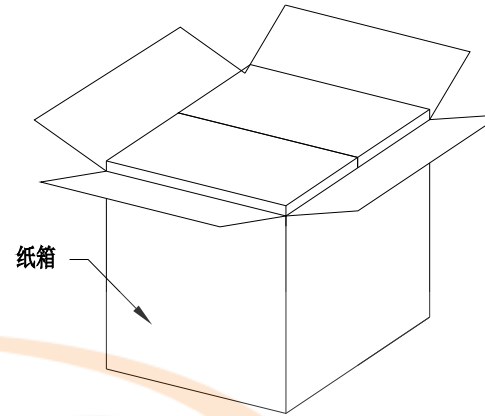
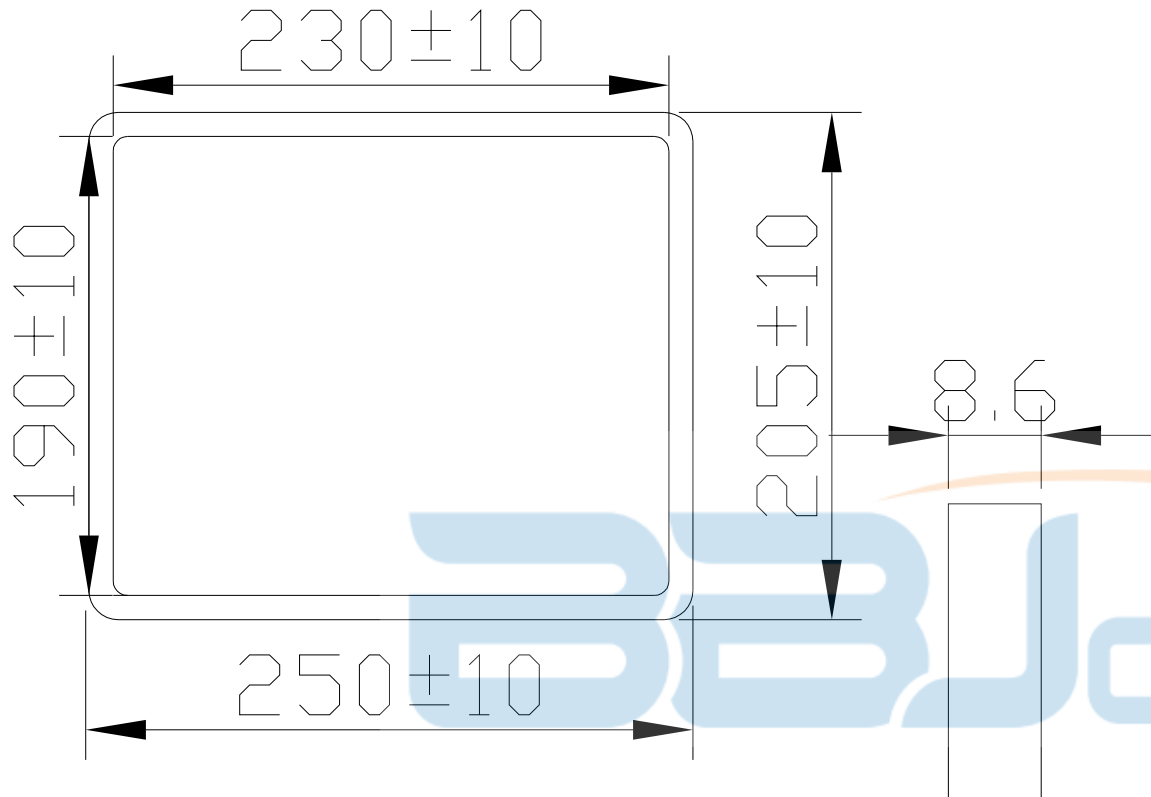


| TOLERANCE UNSPECIFIED |        |
|-----------------------|--------|
| .0                    | ±0.35  |
| .00                   | ±0.25  |
| .000                  | ±0.15  |
| X.°                   | ±2.00° |
| CUSTOMER DRAWING      |        |

**深圳市步步精科技有限公司**

TITLE: USB 2.0 母座 侧插短体 L=10.0 平口 直边0型脚 LCP米色胶芯 铁壳

|                   |           |            |            |                            |           |
|-------------------|-----------|------------|------------|----------------------------|-----------|
| DRAWN/<br>DATE    | 设计<br>TSP | SIZE: A4   | UNIT: MM.  | PART. NO: UB.01.42-41-V001 |           |
| CHECKED/<br>DATE  | 审核<br>LYX | SCALE: 1:1 | PROJECTION |                            | REV.: 版本  |
| APPROVED/<br>DATE | 核准<br>LJP | DWG. PATH  | 0383-1     |                            | SHEET: 页码 |



纸箱规格：350\*210\*290

1. 包装要求:

- 1.1 每盒吸塑盒包装100pcs;
- 1.2 每20盘放一箱，共计2000PCS;
- 1.3 纸箱外贴上标签



|                       |        |   |           |                            |            |
|-----------------------|--------|---|-----------|----------------------------|------------|
| TOLERANCE UNSPECIFIED |        | 深圳市步步精科技有限公司<br>TITLE: USB 2.0 母座 侧插短体 L=10.0 平口 直边0型脚 LCP米色胶芯 铁壳 |           |                            |            |
| .0                    | ±0.35  | SIZE: A4  | UNIT: MM. | PART. NO: UB.01.42-41-V001 |            |
| .00                   | ±0.25  | DRAWN/ DATE   |           | SCALE: 1:1                 | PROJECTION |
| .000                  | ±0.15  | 设计 TSP  | REV.: 版本  |                            |            |
| X.°                   | ±2.00° | 审核 LYX  | DWG. PATH |                            | SHEET: 页码  |
| CUSTOMER DRAWING      |        | 核准 LJP  | 0383-1    |                            |            |