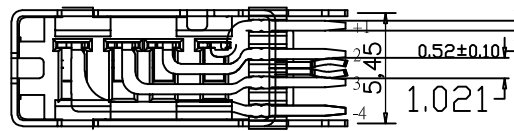
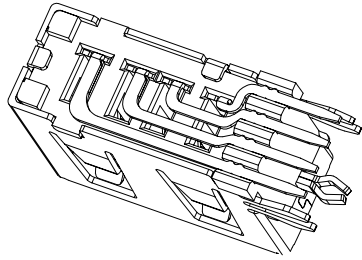




REV.	DESCRIPTION	NAME	DATE
A	NEWS ISSUE		



规格说明: Specifications:

电气特性: Electrical:

- 额定电流: Current Rating
1.5A/contact terminal
- 额定电压: Voltage Rating
30V DC
- 接触阻抗: Contact Resistance
30 milliohms MAX
- 耐电压: Dielectric Withstanding Voltage:
500 V AC AT Sea Level
- 绝缘阻抗: Insulation Resistance:
1000MEGA ohms MIN

物理性能: Mechanical:

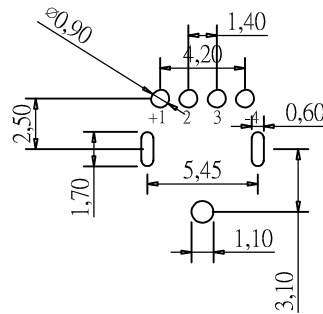
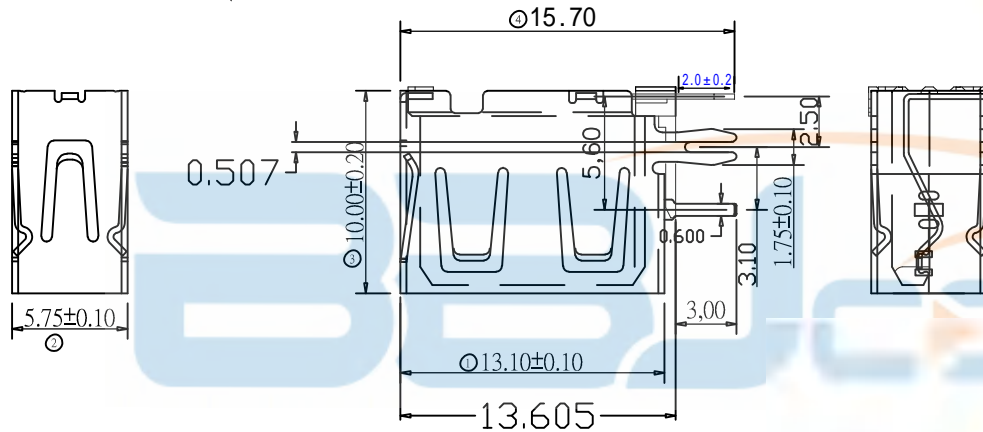
- 插拔力: Connector Mate and Unmate Force
Mate force: 3.57kgf(MAX)
Unmate force: 1.02kgf(MIN)
- 端子保持力: Terminal Retention
1.0kgf(MIN)

原材料: Material:

- 塑胶: Housing: PBT white
Hing Temperature Ternmaplastics,
- 端子: Contact: Copper Alloy C2680
- 外壳: Shell: Copper Alloy Cc2680/SPCC

电镀: Finish:

- 端子: Contact: Plated Gold in Mating Area;
Tin On Solder Talls
- 外壳: Shell:
镀80U"(MIN) (盐雾48H)
Nickel Plating



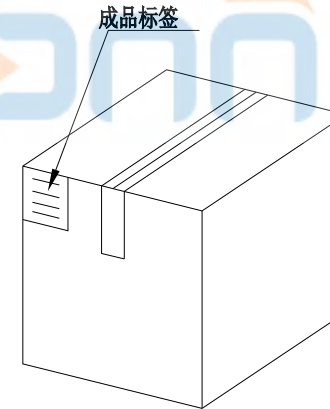
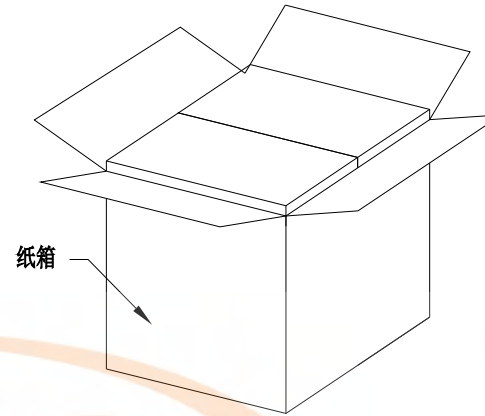
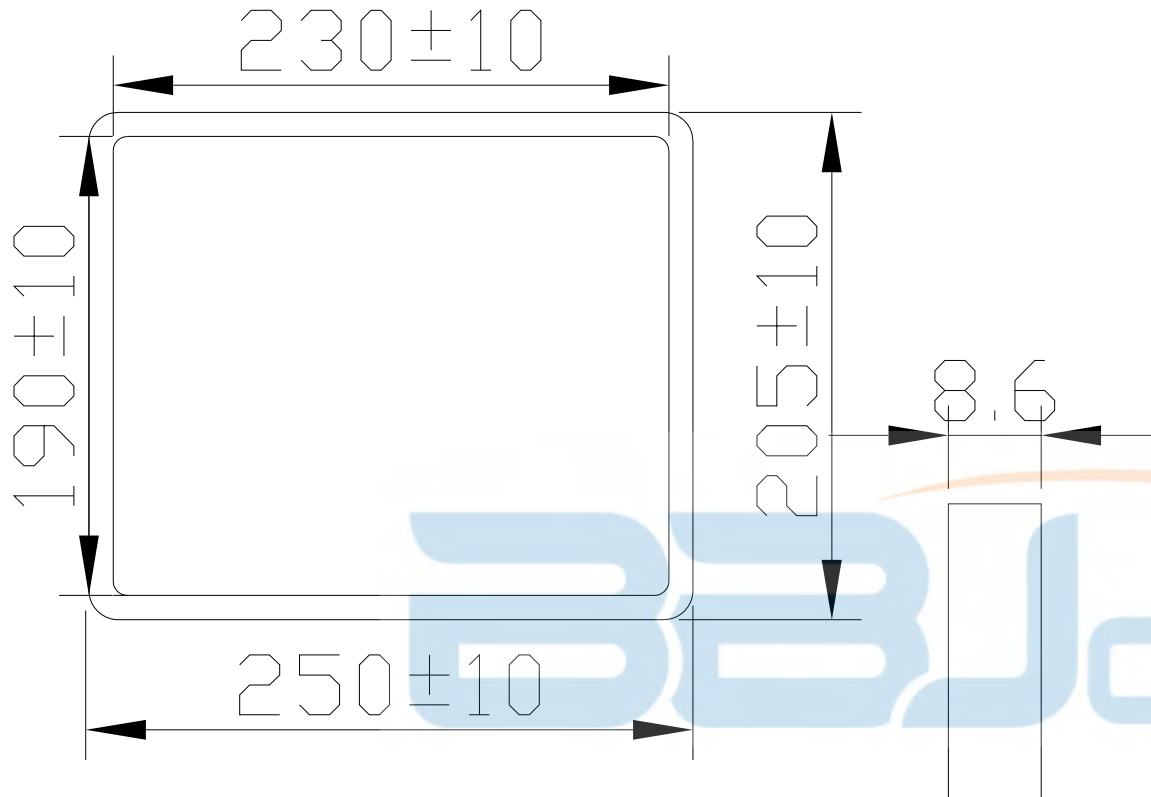
TOLERANCE UNSPECIFIED	
φ	±0.05
.00	±0.05
.000	±0.05
X. °	±2.00°

CUSTOMER DRAWING

深圳市步步精科技有限公司

TITLE: USB 2.0 AF 侧插短体 L=10.0 平口 直边0型脚
PBT白胶 铁壳 脚长2.0

DRAWN/ DATE	设计 HMY	SIZE: A4	UNIT: MM.	PART. NO: UB.01.42-21-V003	
CHECKED/ DATE	审核 LYX	SCALE: 1:1	PROJECTION		REV.: 版本
APPROVED/ DATE	核准 LJP	DWG. PATH	0383-1		SHEET: 页码



纸箱规格: 350*210*290

1. 包装要求:

- 1.1 每盒吸塑盒包装100 pcs;
- 1.2 每20盘放一箱, 共计2000PCS;
- 1.3 纸箱外贴上标签



TOLERANCE UNSPECIFIED		深圳市步步精科技有限公司			
.0	±0.35	TITLE: USB 2.0 AF 侧插短体 L=10.0 平口 直边0型脚 PBT白胶 铁壳 脚长2.0			
.00	±0.25				
.000	±0.15				
X.°	±2.00°				
CUSTOMER DRAWING		SIZE: A4	UNIT: MM.	PART. NO: UB.01.42-21-V003	
DRAWN/ DATE	设计 HMY	SCALE: 1:1		PROJECTION	REV.: 版本
CHECKED/ DATE	审核 LYX	DWG. PATH		0383-1	SHEET: 页码
APPROVED/ DATE	核准 LJP				