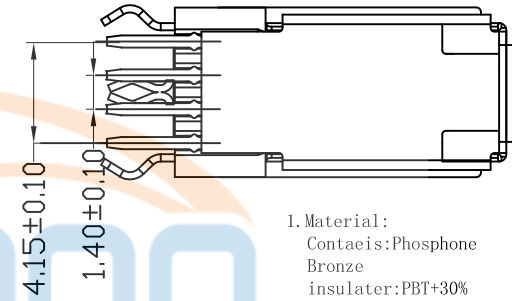
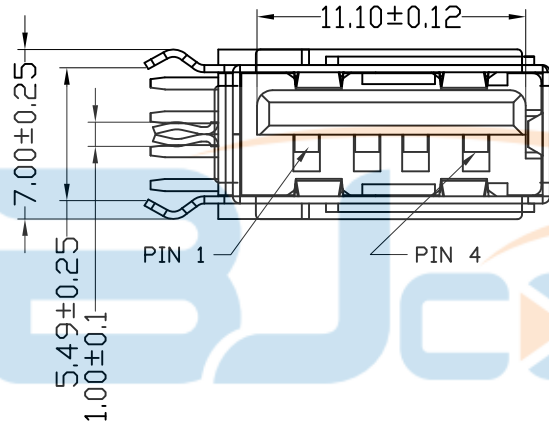
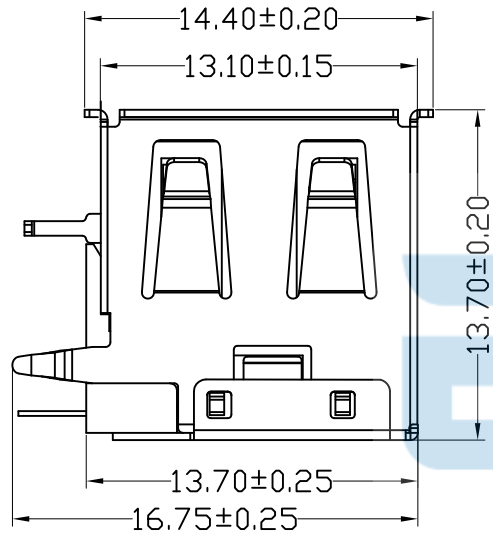
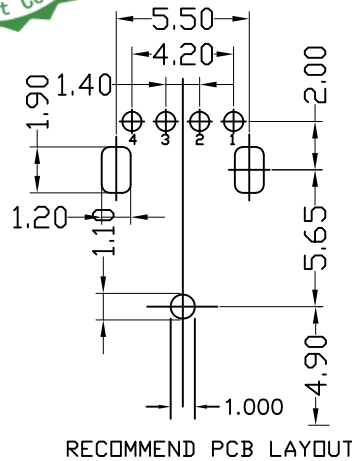
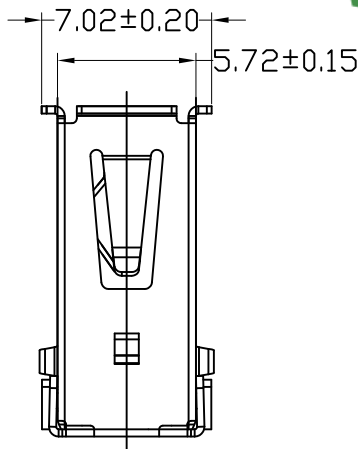




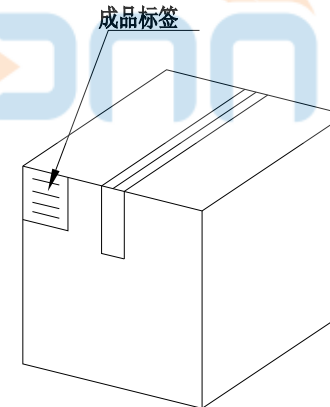
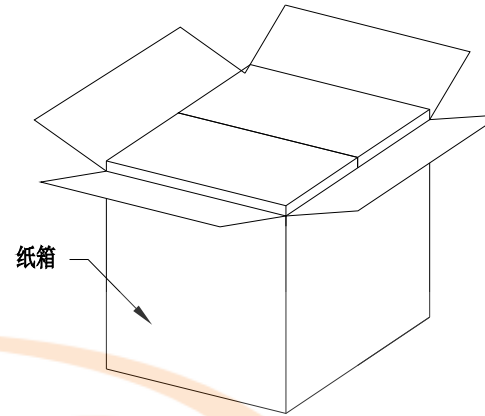
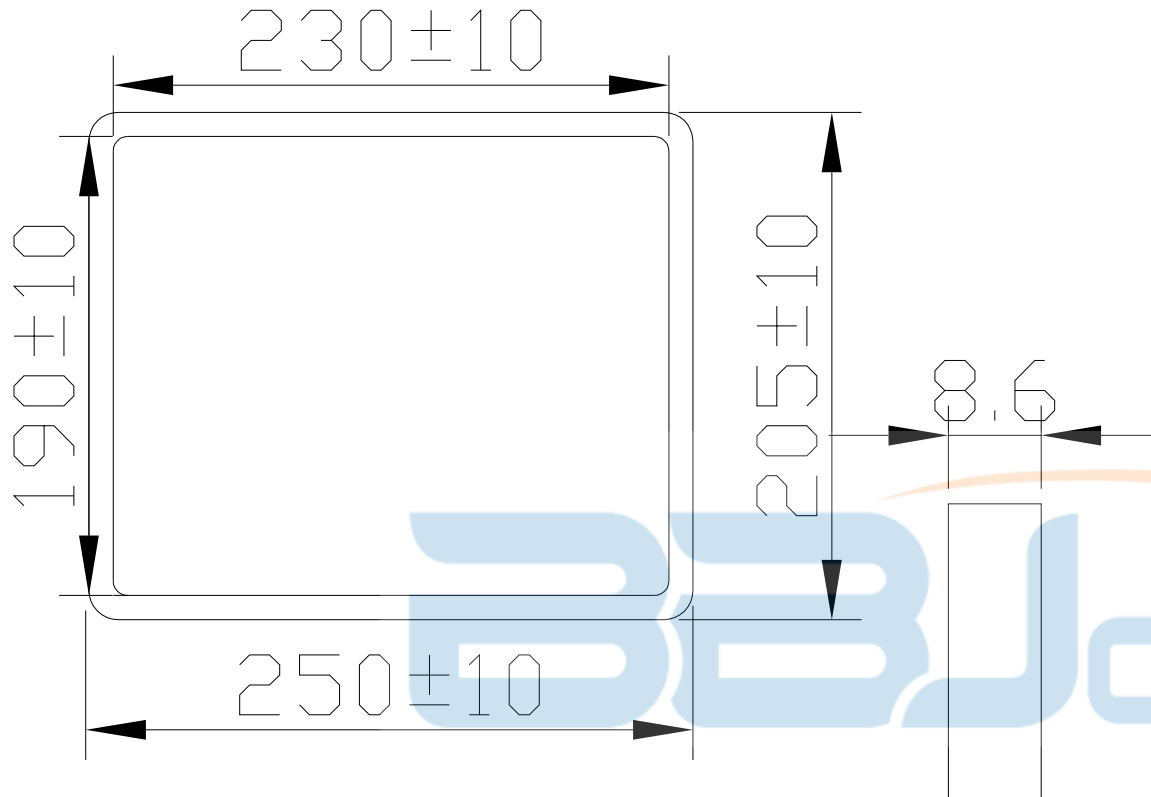
REV.	DESCRIPTION	NAME	DATE
A	NEWS ISSUE		



- Material:
 - Contacts: Phosphor Bronze
 - Insulator: PBT+30% G.F. UL 94V-0
 - Shell: C2680 / SPCC
- Mechanical:
 - Mating: 35N max.
 - Withdrawal Force: 10N min.
 - Durability: 1500 cycles min.
- Electrical:
 - Current-max (amps) 1.5A
 - Voltage-max (volts) 30V
 - Withstanding Voltage 750V AC
 - Contact Resistance (ohms) 30 milliohms max
 - Insulation Resistance (ohms) 1000 Megohms min.
- Plating:
 - Contacts: Gold And Tin Over
 - Nickel Plated
 - Shell: Nickel over all plating.
- Environmental:
 - Temperature Range: -55 to 85 °C



TOLERANCE UNSPECIFIED		深圳市步步精科技有限公司 TITLE: USB 2.0 AF 侧插短体 L=13.7 卷边 O形脚 PBT白胶 弯脚 铁壳				
X	±0.20					
.XX	±0.10	DRAWN/ DATE	设计 HMY	SIZE:A4	UNIT:MM.	PART. NO: UB.01.41-21-V004
.XXX	±0.05	CHECKED/ DATE	审核 LYX	SCALE: 1:1	PROJECTION	REV.: 版本
		APPROVED/ DATE	核准 LJP	DWG. PATH	0383-1	SHEET: 页码



纸箱规格：350*210*290

1. 包装要求:

- 1.1 每盒吸塑盒包装100pcs;
- 1.2 每20盘放一箱，共计2000PCS;
- 1.3 纸箱外贴上标签



TOLERANCE UNSPECIFIED		深圳市步步精科技有限公司 TITLE: USB 2.0 AF 侧插短体 L=13.7 卷边 O形脚 PBT白胶 弯脚 铁壳			
.0	±0.35	SIZE: A4	UNIT: MM.	PART. NO: UB.01.41-21-V004	
.00	±0.25	SCALE: 1:1		PROJECTION	REV.: 版本
.000	±0.15	DWG. PATH		0383-1	SHEET: 页码
X.°	±2.00°				
CUSTOMER DRAWING					
DRAWN/ DATE	设计 HMY				
CHECKED/ DATE	审核 LYX				
APPROVED/ DATE	核准 LJP				