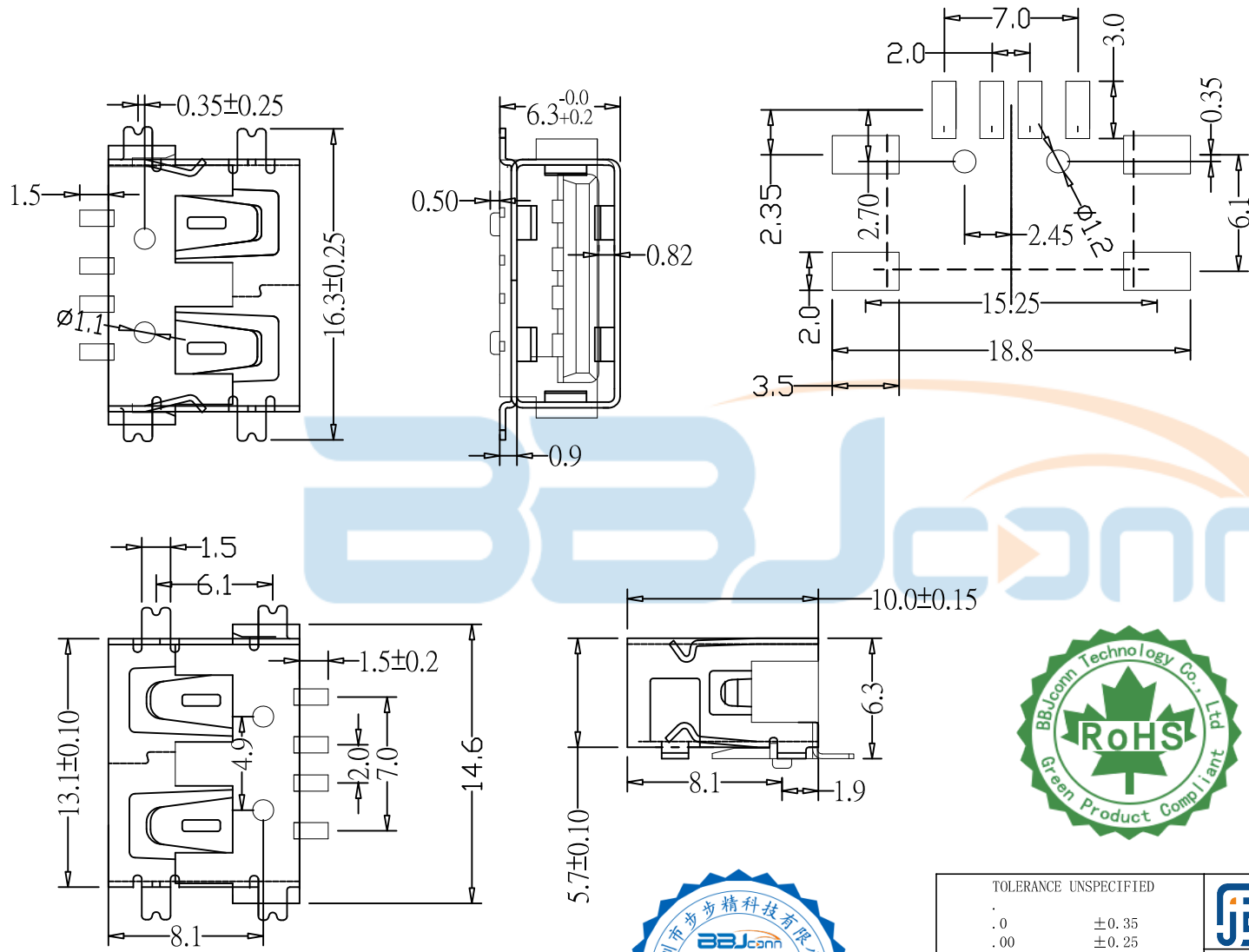




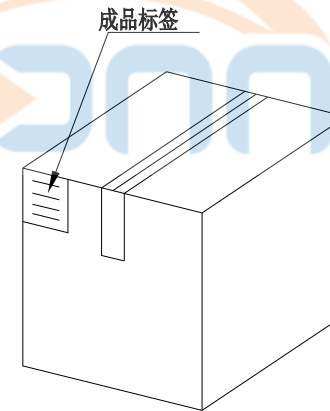
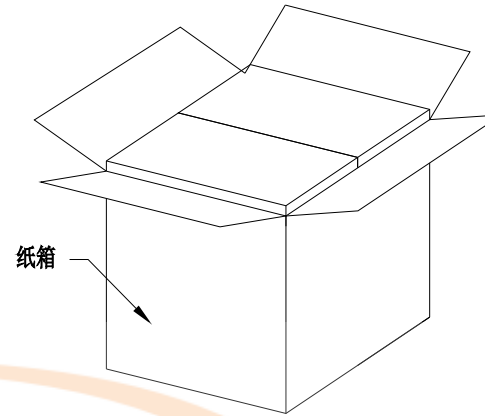
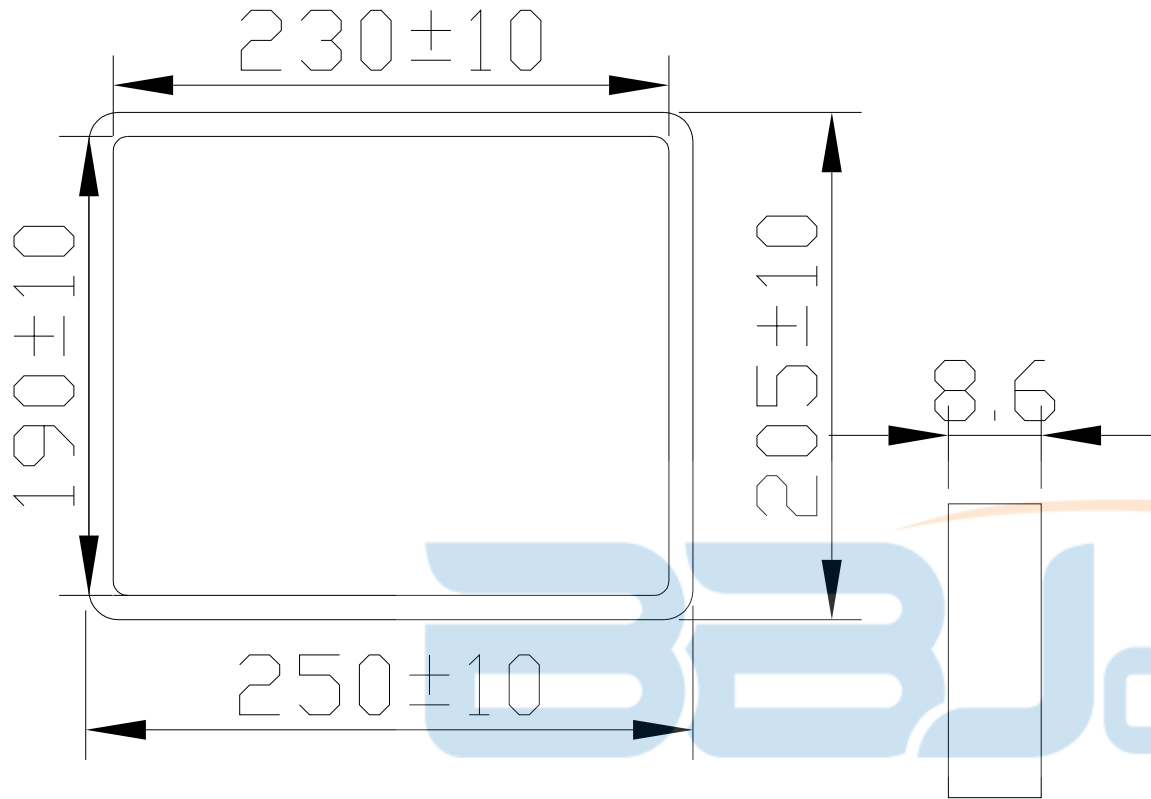
REV.	DESCRIPTION	NAME	DATE
A	NEWS ISSUE		



规格说明: Specifications:
 电气特性: Electrical:
 1. 额定电流: Current Rating
 1.5A/contact terminal
 2. 额定电压: Voltage Rating
 30V DC
 3. 接触阻抗: Contact Resistance
 30 milliohms MAX
 4. 耐电压: Dielectric Withstanding Voltage:
 500 V AC AT Sea Level
 5. 绝缘阻抗: Insulation Resistance:
 1000MEGA ohms MIN
 物理性能: Mechanical:
 1. 插拔力: Connector Mate and Unmate Force
 Mate force: 3.57kgf (MAX)
 Unmate force: 1.02kgf (MIN)
 2. 端子保持力: Terminal Retention
 1.0kgf (MIN)
 原材料: Material:
 1. 塑胶: Housing:
 High Temperature Thermoplastics,
 LCP/PBT
 2. 端子: Contact: Copper Alloy C2680
 3. 外壳: Shell: Copper Alloy C2680/SPCC
 电镀: Finish:
 1. 端子: Contact: Plated Gold in Mating Area;
 Tin On Solder Tails
 端子四周镀50U" (MIN) 锡, 镀金区域镀100-200U" 镀金1U"
 2. 外壳: Shell:
 铜壳四周镀80U" (MIN) 锡
 Nickel Plating



TOLERANCE UNSPECIFIED		深圳市步步精科技有限公司 TITLE: USB 2.0 AF 短体 L=10.0 H=6.3 全贴带柱 平口 LCP黑胶 铁壳	
.0	±0.35	DRAWN/ DATE	设计 TSP
.00	±0.25	CHECKED/ DATE	审核 LYX
.000	±0.15	APPROVED/ DATE	核准 LJP
X.°	±2.00°	SIZE: A4	UNIT: MM.
CUSTOMER DRAWING		PART. NO:	UB.01.22-11-V005
		SCALE: 1:1	PROJECTION
		DWG. PATH	0383-1
		REV.:	版本
		SHEET:	页码



纸箱规格: 350*210*290

1. 包装要求:

- 1.1 每盒吸塑盒包装100 pcs;
- 1.2 每20盘放一箱, 共计2000PCS;
- 1.3 纸箱外贴上标签



TOLERANCE UNSPECIFIED		深圳市步步精科技有限公司 TITLE: USB 2.0 AF 短体 L=10.0 H=6.3 全贴带柱 平口 LCP黑胶 铁壳							
.0	±0.35								
.00	±0.25	DRAWN/ DATE		设计	TSP	SIZE: A4	UNIT: MM.	PART. NO: UB.01.22-11-V005	
.000	±0.15	CHECKED/ DATE		审核	LYX	SCALE: 1:1		PROJECTION	REV.: 版本
X.°	±2.00°	APPROVED/ DATE		核准	LJP	DWG. PATH	0383-1		SHEET: 页码
CUSTOMER DRAWING									