



REV.	DESCRIPTION	NAME	DATE
A	NEWS ISSUE		

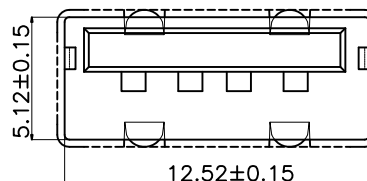
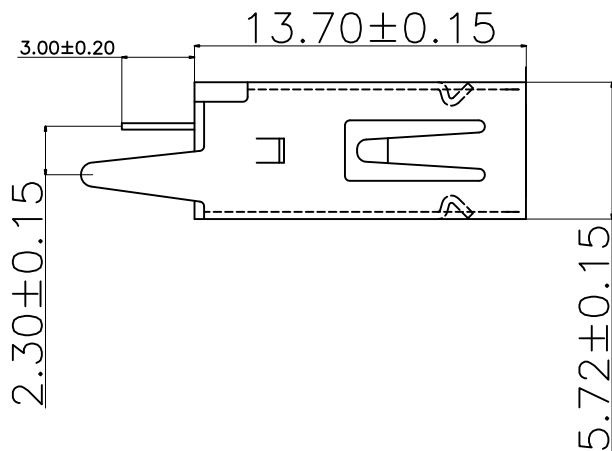
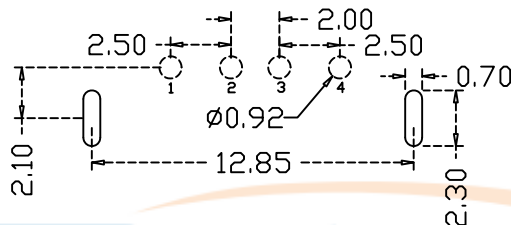
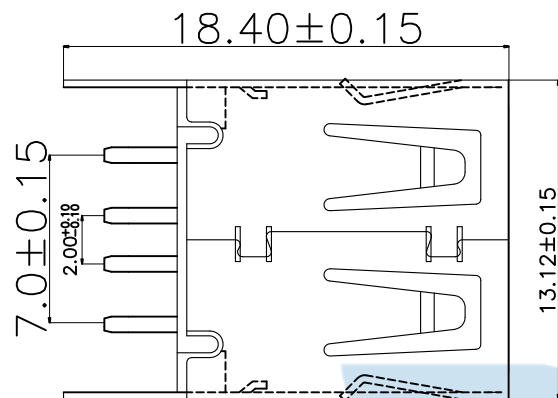
特性: Specifications;  
 电器: Electyical;  
 接触阻抗: Contact Resistance  
 30 millionms MAX  
 耐电压: Dielectyic Withstanding Voltage:  
 500v AC AT Sea Level  
 绝缘阻抗: Insulation Resistance:  
 1000 MEGA ohms MLN

机构: Machanical;  
 接合为: Mating Force;  
 3.57 KG MAX 最大3.57Kg  
 拔出力: Unmating Force;  
 1.02KG MIN.最少1.02KG

材料: Matorial;  
 塑胶: Housing: High Temperatuye Thermoplastics  
 PBT/LCP  
 端子: Contact: Copper Alloy 铜合金  
 外壳: Shell: Copper Alloy spcc  
 电镀: Finish;  
 端子: Contact: Plated Gold in Mating  
 Area;

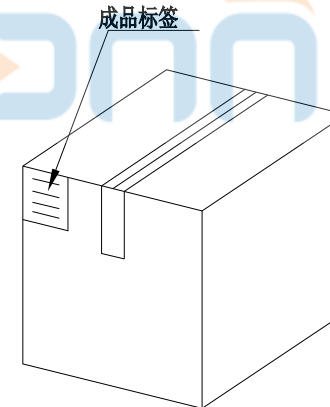
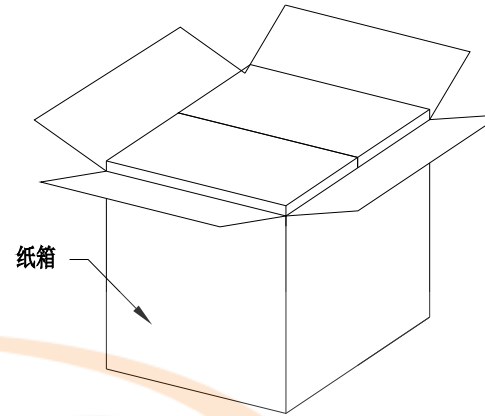
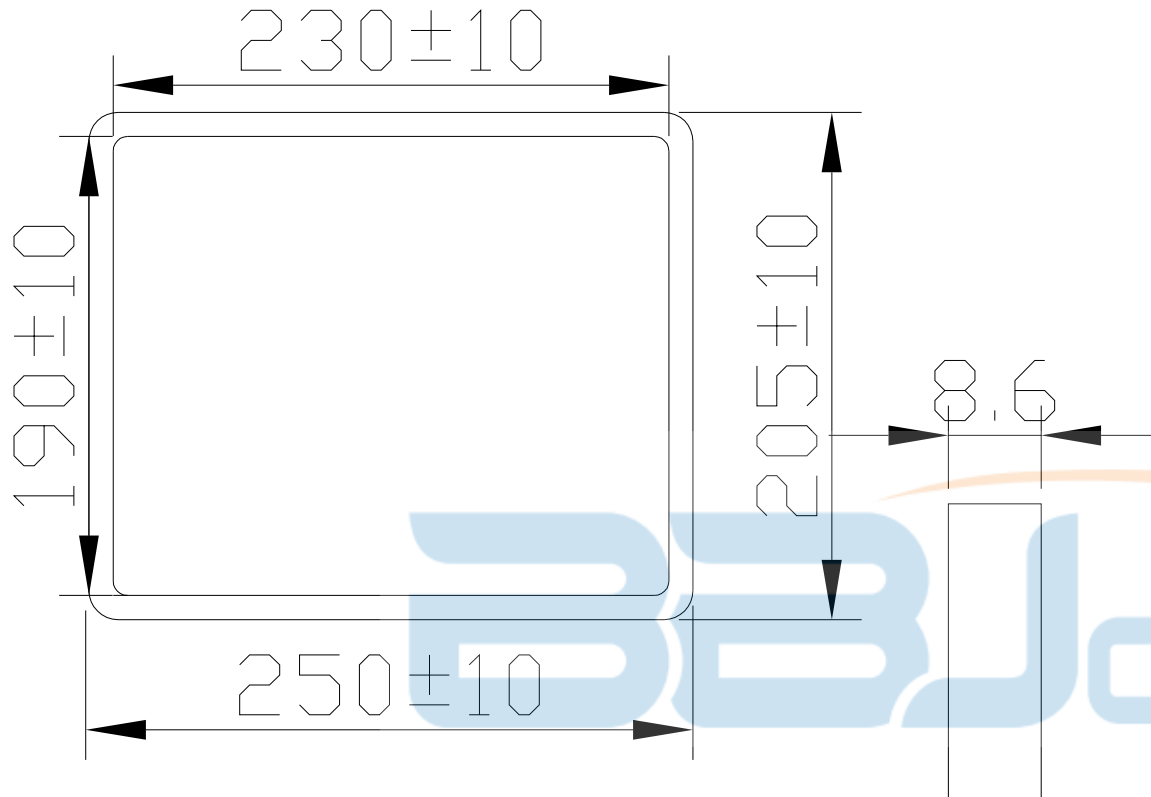
Tin/On Solder Tails  
 接触点镀金;脚镀锡50u

铁壳: Shell:  
 nickel Plating 镀镍 24H



TOLERANCE UNSPECIFIED		深圳市步步精科技有限公司 TITLE: USB 2.0 AF 180度 直插直脚 H=13.70 平口 PBT蓝胶 铁壳			
.0	±0.35	SIZE: A4	UNIT: MM.	PART. NO: UB.01.12-31-V004	
.00	±0.25	CHECKED/ DATE	SCALE: 1:1	PROJECTION	REV.: 版本
.000	±0.15	APPROVED/ DATE	DWG. PATH	0383-1	SHEET: 页码
X. °	±2.00°				
CUSTOMER DRAWING					

DRAWN/ DATE	设计 HMY	SIZE: A4	UNIT: MM.	PART. NO: UB.01.12-31-V004	
CHECKED/ DATE	审核 LYX	SCALE: 1:1	PROJECTION	REV.: 版本	
APPROVED/ DATE	核准 LJP	DWG. PATH	0383-1	SHEET: 页码	



纸箱规格：350\*210\*290

1. 包装要求:

- 1.1 每盒吸塑盒包装100pcs;
- 1.2 每20盘放一箱，共计2000PCS;
- 1.3 纸箱外贴上标签



TOLERANCE UNSPECIFIED		深圳市步步精科技有限公司 TITLE: USB 2.0 AF 180度 直插直脚 H=13.70 平口 PBT蓝胶 铁壳			
.0	±0.35	SIZE: A4	UNIT: MM.	PART. NO: UB.01.12-31-V004	
.00	±0.25	DRAWN/ DATE		SCALE: 1:1	PROJECTION
.000	±0.15	设计	HMJ	REV.: 版本	
X.°	±2.00°	审核	LYX	SHEET: 页码	
CUSTOMER DRAWING		核准	LJP	DWG. PATH	0383-1