



REV.	DESCRIPTION	NAME	DATE
A	NEWS ISSUE		

规格说明:Specifications:

电气特性:Electrical:

1. 额定电流: Current Rating
1.5A/contact terminal
2. 额定电压: Voltage Rating
30V DC
3. 接触阻抗: Contact Resistance
30 milliohms MAX
4. 耐电压: Dielectric Withstanding Voltage:
500 V AC AT Sea Level
5. 绝缘阻抗: Insulation Resistance:
1000MEGA ohms MIN

物理性能: Mechanical:

1. 插拔力: Connector Mate and Unmate Force
Mate force: 3.57kgf (MAX)
Unmate force: 1.02kgf (MIN)
2. 端子保持力: Terminal Retention
1.0kgf (MIN)

原材料: Material:

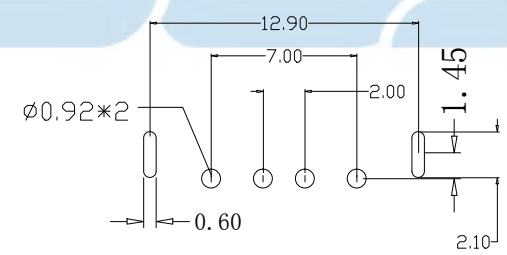
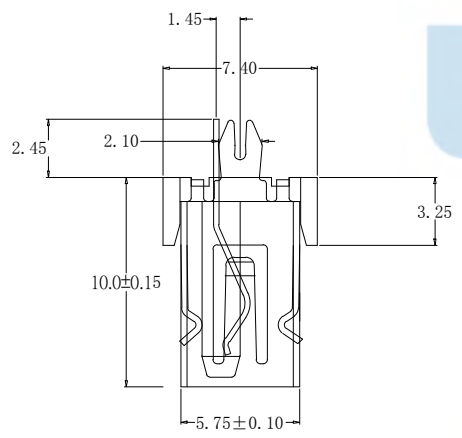
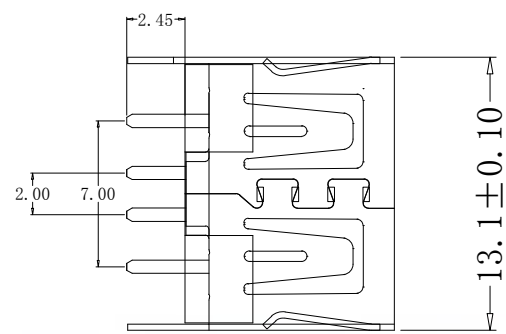
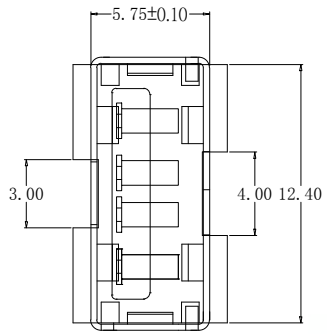
1. 塑胶: Housing:
High Temperature Thermoplastics,
LCP (UL94-V0) White/Black
2. 端子: Contact: Copper Alloy C2680
3. 外壳: Shell: Copper Alloy C2680/SPCC

电镀: Finish:

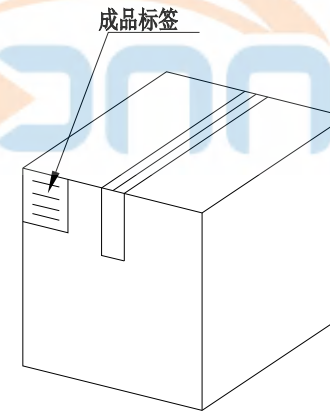
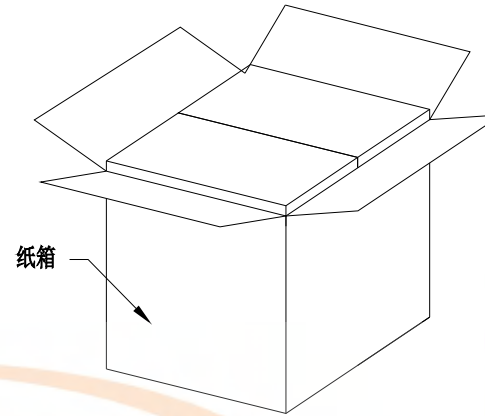
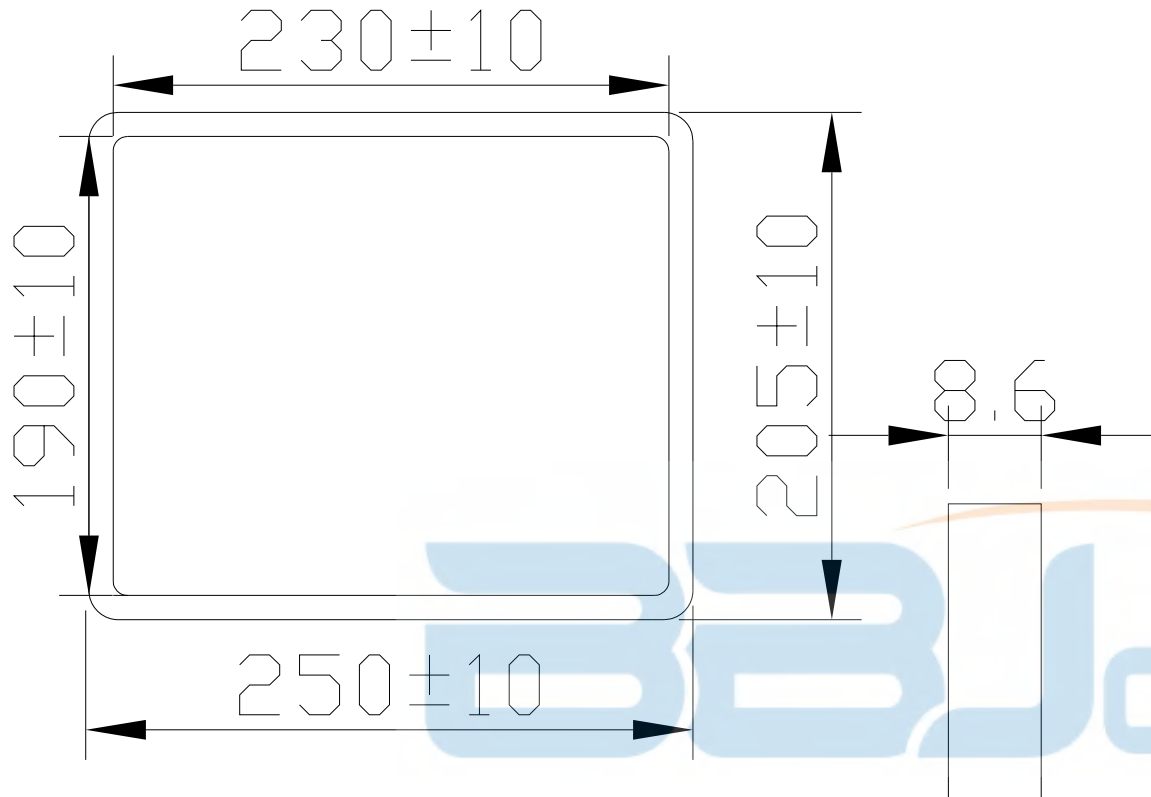
1. 端子: Contact: Plated Gold in Mating Area;
Tin On Solder Tails

端子四周镀50U" (MIN) 锡, 镀金区域镀100-200U" 镀金1U"

Nickel Plating



TOLERANCE UNSPECIFIED		深圳市步步精科技有限公司	
.0	±0.35	TITLE: USB 2.0 AF 180度直插 H=10.0 平口 LCP米色 铜壳 DRAWN/ DATE: 设计 TSP SIZE: A4 UNIT: MM. PART. NO: UB.01.12-22-V003 CHECKED/ DATE: 审核 LYX SCALE: 1:1 PROJECTION: REV.: 版本 APPROVED/ DATE: 核准 LJP DWG. PATH: 0383-1 SHEET: 页码	
.00	±0.25		
.000	±0.15		
X.°	±2.00°		
CUSTOMER DRAWING			



纸箱规格：350*210*290

1. 包装要求:

- 1.1 每盒吸塑盒包装100 pcs;
- 1.2 每20盘放一箱，共计2000PCS;
- 1.3 纸箱外贴上标签



TOLERANCE UNSPECIFIED		深圳市步步精科技有限公司			
.0	±0.35	TITLE: USB 2.0 AF 180度直插 H=10.0 平口 LCP米色 铜壳			
.00	±0.25	DRAWN/ DATE	设计 TSP	SIZE: A4	UNIT: MM.
.000	±0.15	CHECKED/ DATE	审核 LYX	PART. NO:	UB.01.12-22-V003
X.°	±2.00°	APPROVED/ DATE	核准 LJP	DWG. PATH	0383-1
CUSTOMER DRAWING		PROJECTION		REV.:	版本
				SHEET: 页码	