

规格说明: Specifications:

电气特性: Electrical:

1. 额定电流: Current Rating
1.5A/contact terminal
2. 额定电压: Voltage Rating
30V DC
3. 接触阻抗: Contact Resistance
30 milliohms MAX
4. 耐电压: Dielectric Withstanding Voltage:
500 V AC AT Sea Level
5. 绝缘阻抗: Insulation Resistance:
1000MEGA ohms MIN

物理性能: Mechanical:

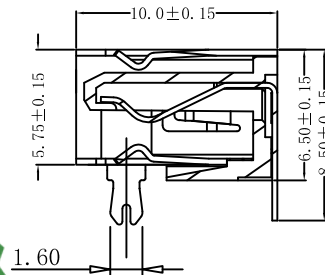
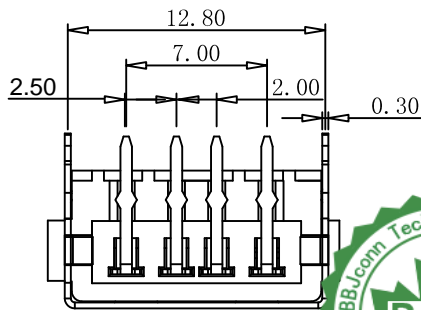
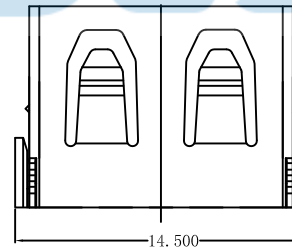
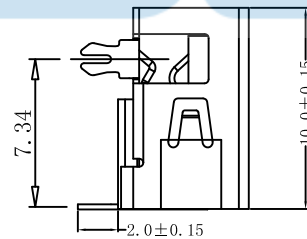
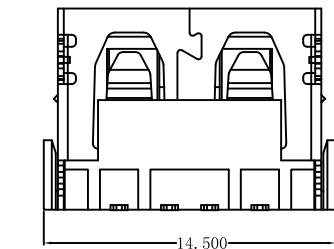
1. 插拔力: Connector Mate and Unmate Force
Mate force: 3.57kgf (MAX)
Unmate force: 1.02kgf (MIN)
2. 端子保持力: Terminal Retention
1.2kgf (MIN)

原材料: Material:

1. 塑胶: Housing:
Hing Temperature Ternmaplastics,
U1 94V-0 PBT White/Black
2. 端子: Contact: Copper Alloy C2680
3. 外壳: Shell: Copper Alloy C2680

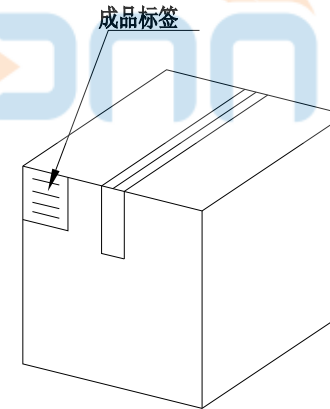
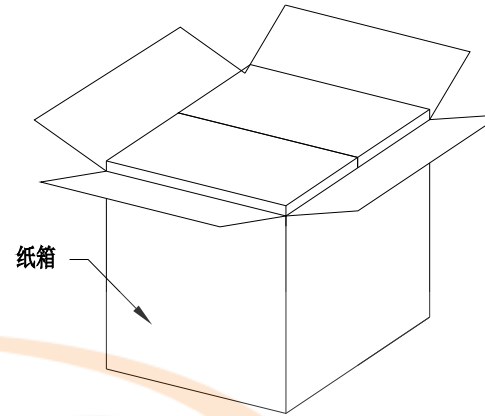
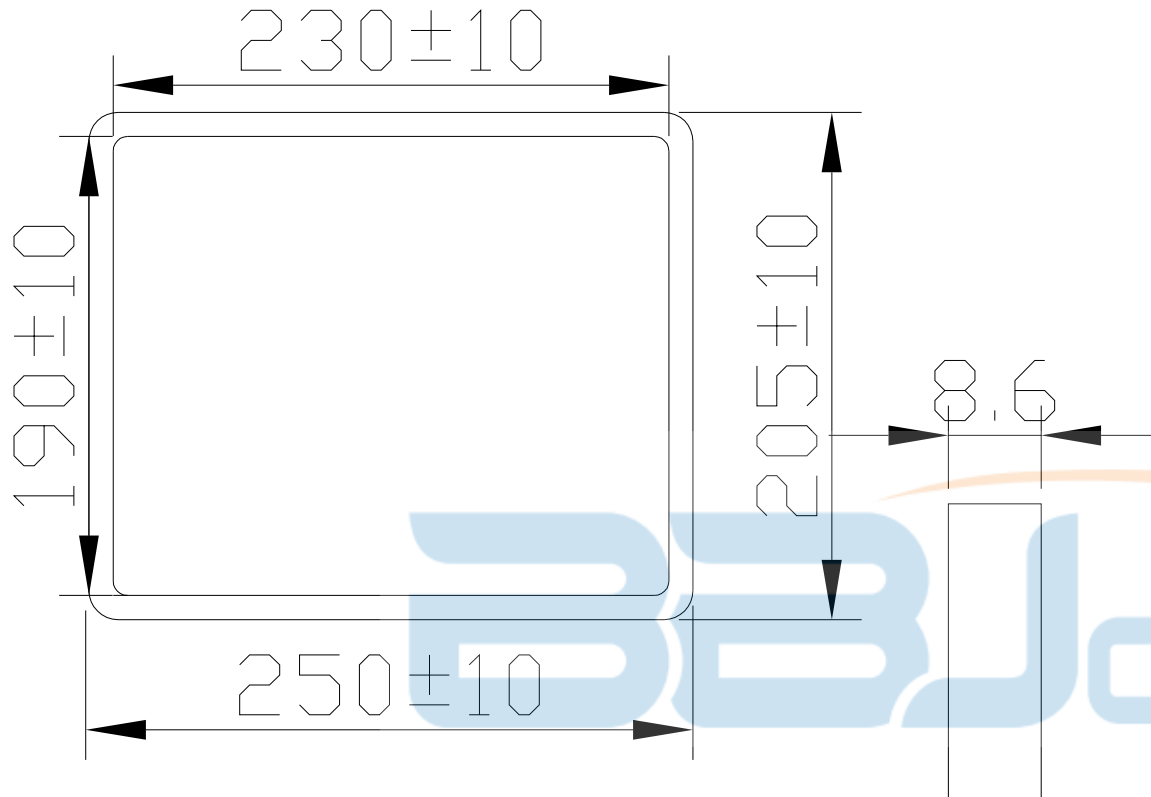
电镀: Finish:

1. 端子: Contact: Plated Gold in Mating Area;
Tin On Solder Talls
2. 外壳: Shell:
Nickel Plating



SECTION A-A

TOLERANCE UNSPECIFIED		深圳市步步精科技有限公司 TITLE: USB 2.0AF 90度短体L=10.0 前俩脚插H=6.50 平口铜壳PBT白胶						
X.X	±0.30							
X.XX	±0.20	DRAWN/ DATE	设计	HMY	SIZE: A4	UNIT: MM.	PART. NO:	UB.01.12-22-V001
X.XXX	±0.10	CHECKED/ DATE	审核	LYX	SCALE: 1:1	PROJECTION	REV.:	版本
X°	±5°	APPROVED/ DATE	核准	LJP	DWG. PATH	0383-1	SHEET:	页码
X.X°	±2°							



纸箱规格：350*210*290

1. 包装要求:

- 1.1 每盒吸塑盒包装100pcs;
- 1.2 每20盘放一箱，共计2000PCS;
- 1.3 纸箱外贴上标签



TOLERANCE UNSPECIFIED		深圳市步步精科技有限公司 TITLE: USB 2.0AF 90度短体L=10.0 前俩脚插H=6.50 平口铜壳PBT白胶			
.0	±0.35	SIZE: A4	UNIT: MM.	PART. NO: UB.01.12-22-V001	
.00	±0.25	CHECKED/ DATE	SCALE: 1:1	PROJECTION	REV.: 版本
.000	±0.15	APPROVED/ DATE	DWG. PATH	0383-1	SHEET: 页码
X. °	±2.00°				
CUSTOMER DRAWING					