

REV.	DESCRIPTION	NAME	DATE
A	NEWS ISSUE		

规格说明: Specifications:

电气特性: Electrical:

1. 额定电流: Current Rating
1.5A/contact terminal
2. 额定电压: Voltage Rating
30V DC
3. 接触电阻: Contact Resistance
30 milliohms MAX
4. 耐压: Dielectric Withstanding Voltage:
500 V AC AT Sea Level
5. 绝缘电阻: Insulation Resistance:
1000MEGA ohms MIN

物理性能: Mechanical:

1. 插拔力: Connector Mate and Unmate Force
Mate force: 3.57kgf(MAX)
Unmate force: 1.02kgf(MIN)
2. 端子保持力: Terminal Retention
1.02kgf(MIN)

原材料: Material:

1. 塑胶: Housing:
Hing Temperature Thermoplastics, PBT

2. 端子: Contact: Copper Alloy C2680
3. 外壳: Shell: Copper Alloy C2680/SPCC

电镀: Finish:

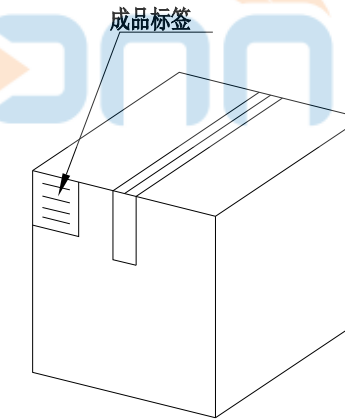
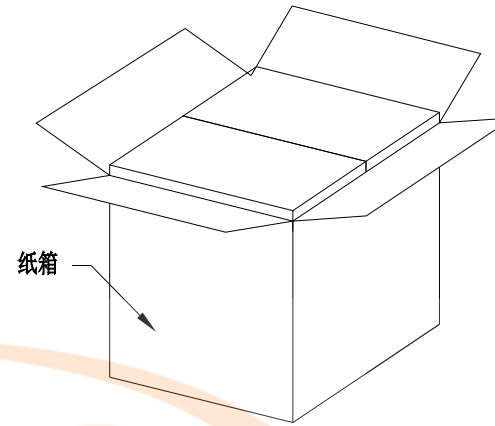
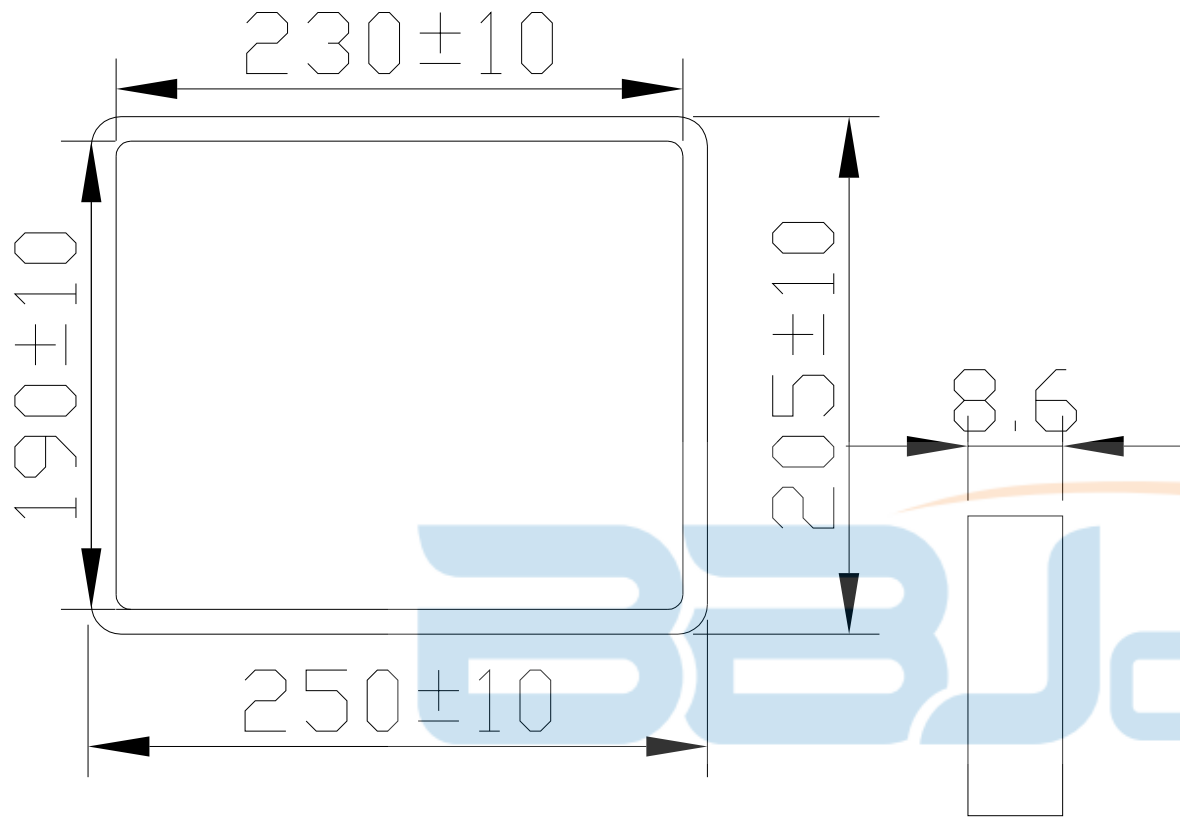
1. 端子: Contact: Plated Gold in Mating Area;
Tin On Solder Tails

端子四周镀50U”(MIN)锡, 镀金区域镀60-80U”镀金1U”

2. 外壳: Shell:
铁壳四周镀80U”(MIN)锡

Nickel Plating

TOLERANCE UNSPECIFIED		深圳市步步精科技有限公司					
.0	±0.35						
.00	±0.25	TITLE:					
.000	±0.15	USB 2.0 AF 180度 H=10.80 鱼叉脚(外壳无弹) 平口 铜壳 PBT黑胶					
X.°	±2.00°	DRAWN/ DATE	设计 HMY	SIZE: A4	UNIT: MM.	PART. NO:	UB.01.12-12-V003
CUSTOMER DRAWING		CHECKED/ DATE	审核 LYX	SCALE: 1:1	PROJECTION	REV.:	版本
		APPROVED/ DATE	核准 LJP	DWG. PATH		SHEET:	页码



纸箱规格: 350*210*290

1. 包装要求:

- 1.1 每盒吸塑盒包装100pcs;
- 1.2 每20盘放一箱, 共计2000PCS;
- 1.3 纸箱外贴上标签



TOLERANCE UNSPECIFIED		深圳市步步精科技有限公司 TITLE: USB 2.0 AF 180度 H=10.80 鱼叉脚(外壳无弹) 平口 铜壳 PBT黑胶			
.0	±0.35	SIZE:A4	UNIT:MM.	PART. NO: UB.01.12-12-V003	
.00	±0.25	CHECKED/ DATE	SCALE: 1:1	PROJECTION	REV.: 版本
.000	±0.15	APPROVED/ DATE	DWG. PATH	0383-1	SHEET: 页码
X.°	±2.00°				
CUSTOMER DRAWING					