



REV.	DESCRIPTION	NAME	DATE
A	NEWS ISSUE		

规格说明:Specifications:  
 电气特性:Electrical:  
 1. 额定电流: Current Rating  
 1.5A/contact terminal  
 2. 额定电压: Voltage Rating  
 30V DC  
 3. 接触阻抗:Contact Resistance  
 30 milliohms MAX  
 4. 耐电压:Dielectnc Withstanding Voitage:  
 500 V AC AT Sea Levl  
 5. 绝缘阻抗:Lnsulation Resistance:  
 1000MEGA ohms MIN

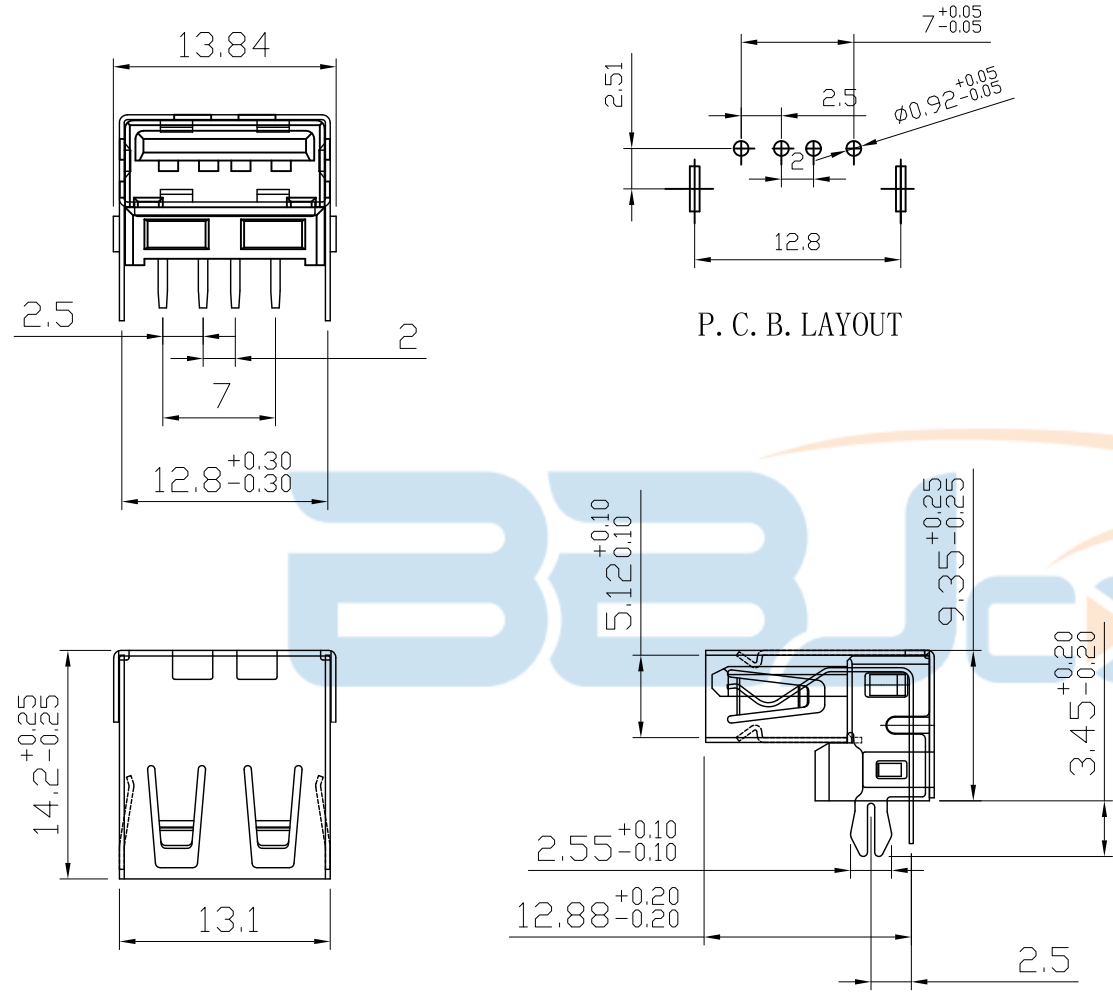
物理性能:Mechanical:  
 1. 插拔力: Cnector Mate and Unmate Force  
 Mate force:3.57kgf (MAX)  
 Unmate force:1.02kgf (MIN)  
 2. 端子保持力: Terminal Retenion  
 1.0kgf (MIN)

原材料:Matorial:  
 1. 塑胶:Housing:  
 Hing Temperature Thermaplastics,  
 PBT White/Black  
 2. 端子:Contact:Copper Alloy C2680  
 3. 外壳:Shell: Copper Alloy c2680 / SPCC

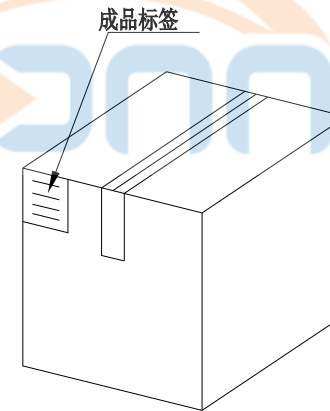
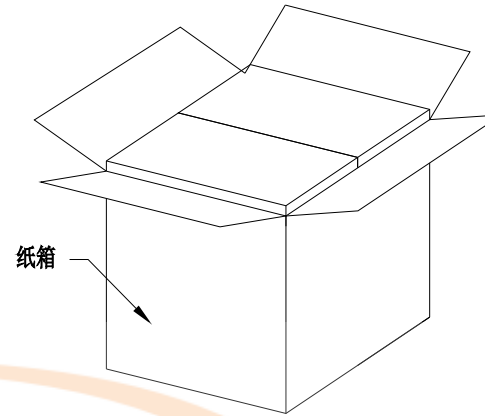
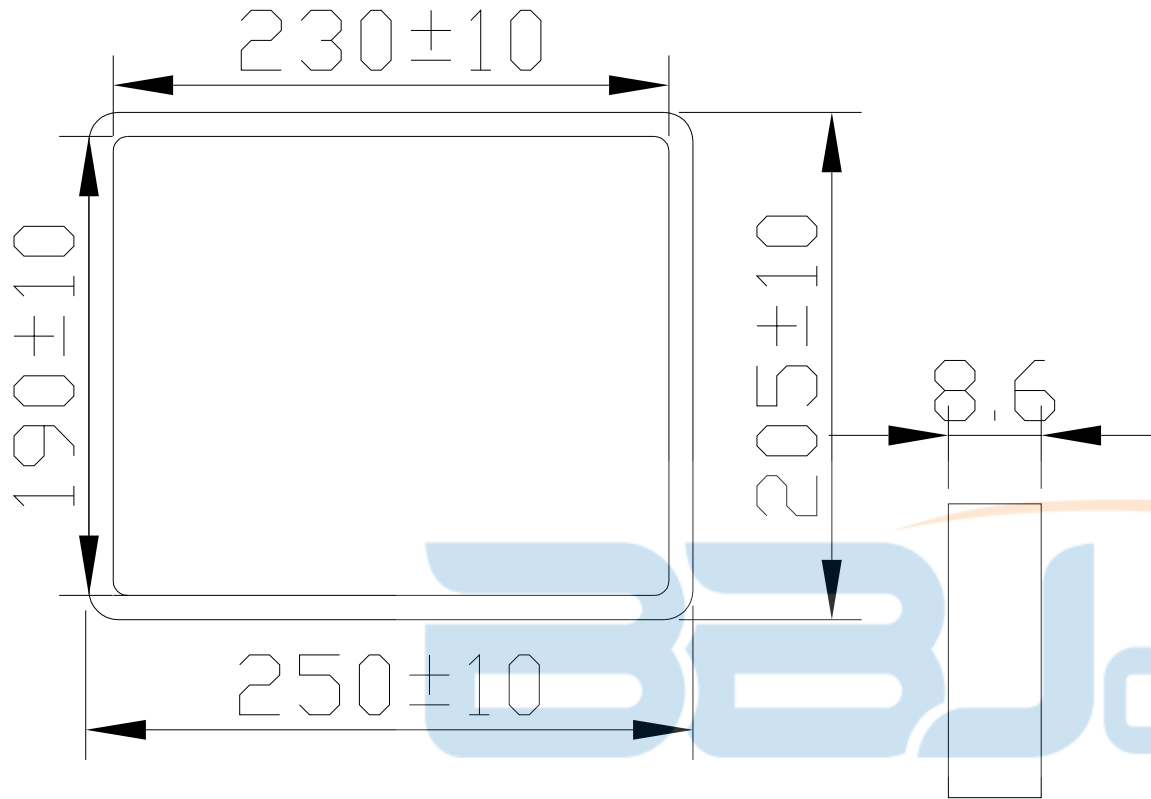
电镀:Finish:  
 1. 端子:Contact: Plated Gold in Mating Area;  
 Tin On Solder Talls  
 2. 外壳:Shell:  
 Nickel Plating



P. C. B. LAYOUT



TOLERANCE UNSPECIFIED		深圳市步步精科技有限公司 TITLE: USB 2.0 AF 90度 L=14.2 垫高H=9.35 平口 PBT黑胶 铁壳					
.0	±0.35	DRAWN/	设计	TSP	SIZE:A4	UNIT:MM.	PART.NO: UB.01.12-11-V008
.00	±0.25	DATE					
.000	±0.15	CHECKED/	审核	LYX	SCALE: 1:1	PROJECTION	REV.: 版本
X.°	±2.00°	DATE					
CUSTOMER DRAWING		APPROVED/	核准	LJP	DWG. PATH		SHEET: 页码
		DATE				0383-1	



纸箱规格：350\*210\*290

### 1. 包装要求:

- 1.1 每盒吸塑盒包装100 pcs;
- 1.2 每20盘放一箱，共计2000PCS;
- 1.3 纸箱外贴上标签



TOLERANCE UNSPECIFIED		深圳市步步精科技有限公司 TITLE: USB 2.0 AF 90度 L=14.2 垫高H=9.35 平口 PBT黑胶 铁壳			
.0	±0.35	SIZE: A4	UNIT: MM.	PART. NO: UB.01.12-11-V008	
.00	±0.25	SCALE: 1:1		PROJECTION	REV.: 版本
.000	±0.15	APPROVED/ DATE	DWG. PATH	0383-1	
X. °	±2.00°	核准	LJP	SHEET: 页码	
CUSTOMER DRAWING		设计	TSP		
		审核	LYX		