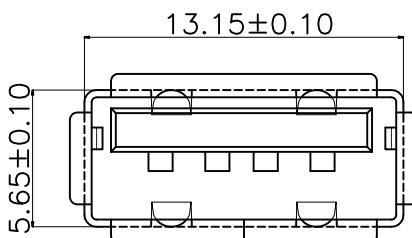
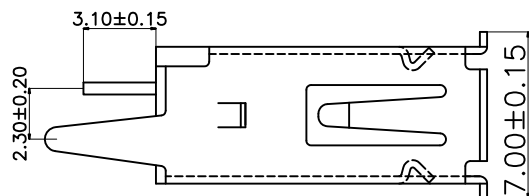




REV.	DESCRIPTION	NAME	DATE
A	NEWS ISSUE		



特性: Specifications;

电器: Electyical:

接触阻抗: Contact Resistance
30 millionms MAX

耐电压: Dielectyic Withstanding Voltage:
500v AC AT Sea Level

绝缘阻抗: Insulation Resistance:
1000 MEGA ohms MLN

机构: Machanical:

接合为: Mating Force;

3.75KG MAX 最大3.75Kg

拔出力: Unmating Force;

1.02KG MIN.最少1.02KG

材料: Matorial:

塑胶: Housing:High Temperatuye Thermoplastics
PBT

端子: Contact:Copper Alloy 铜合金

外壳: Shell:Copper Alloy铜合金 / SPCC

电镀: Finish:

端子: Contact:Plated Gold in Mating
Area;

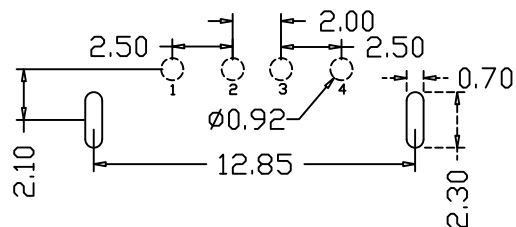
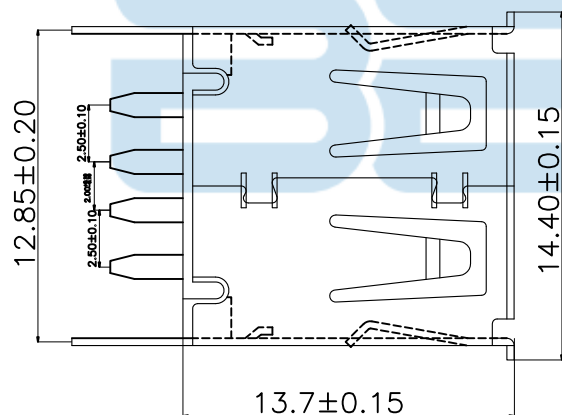
Tin/On Solder Tails

接触点镀金;脚镀锡

外壳: Shell:

nickel Plating

镀镍

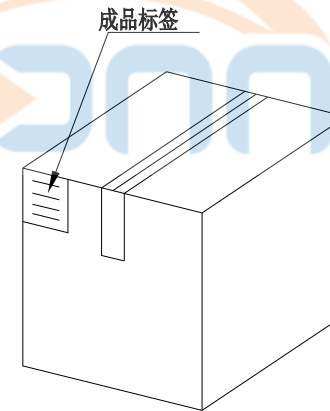
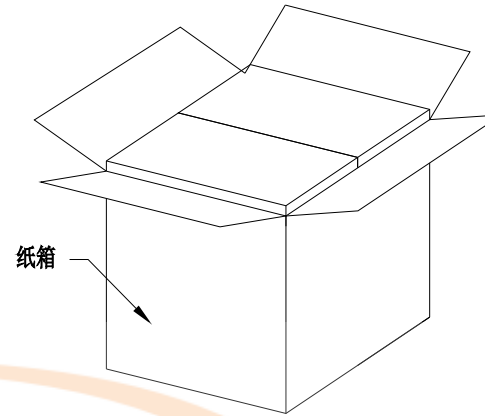
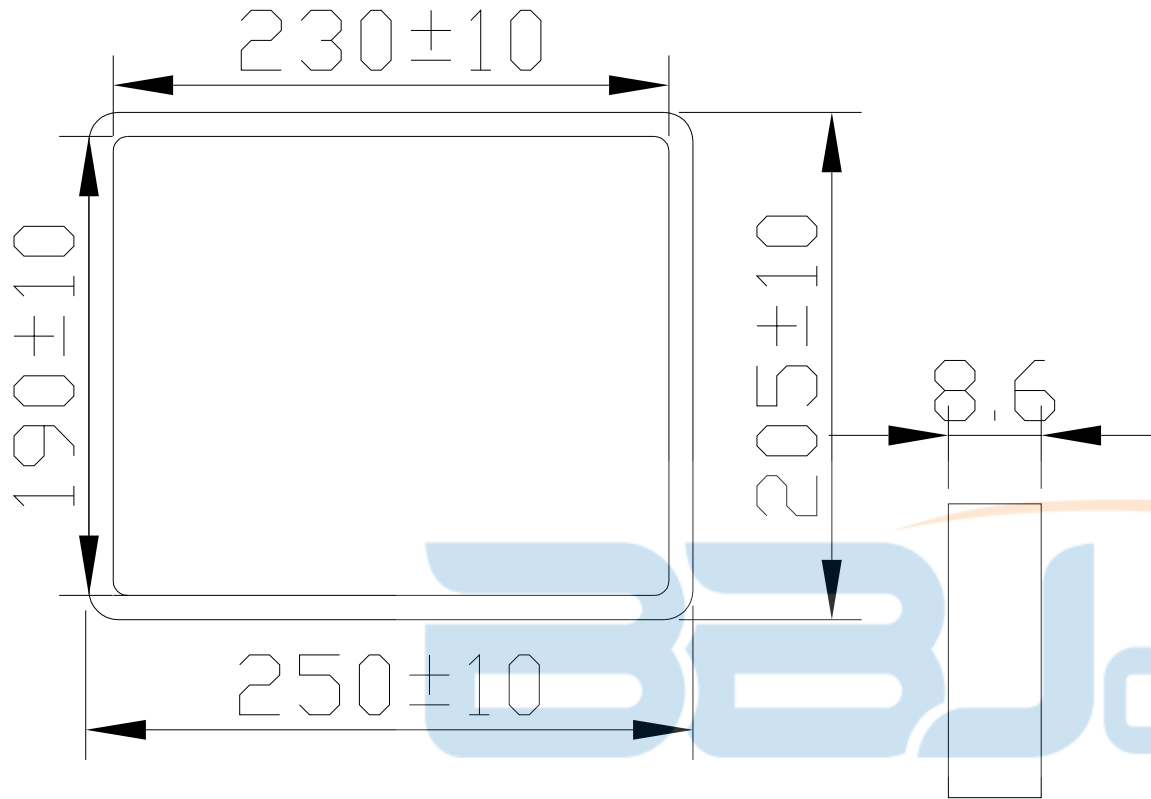


TOLERANCE UNSPECIFIED			
x.	±0.2	x.	±0.2
x.x	±0.1	x.x	±0.1
x.xx	±0.01	x.xx	±0.01
x.xxx	±0.002	x.xxx	±0.002

深圳市步步精科技有限公司

TITLE: USB 2.0 AF 180度 H=13.7 直脚 卷边 PBT白胶 铜壳

DRAWN/ DATE	设计 HMY	SIZE:A4	UNIT:MM.	PART. NO: UB.01.11-22-V008	
CHECKED/ DATE	审核 LYX	SCALE: 1:1	PROJECTION		REV.: 版本
APPROVED/ DATE	核准 LJP	DWG. PATH	0383-1		SHEET: 页码



纸箱规格: 350*210*290

1. 包装要求:

- 1.1 每盒吸塑盒包装100 pcs;
- 1.2 每20盘放一箱, 共计2000PCS;
- 1.3 纸箱外贴上标签



TOLERANCE UNSPECIFIED		深圳市步步精科技有限公司 TITLE: USB 2.0 AF 180度 H=13.7 直脚 卷边 PBT白胶 铜壳			
.0	±0.35	SIZE: A4	UNIT: MM.	PART. NO: UB.01.11-22-V008	
.00	±0.25	CHECKED/ DATE		SCALE: 1:1	PROJECTION
.000	±0.15	DRAWN/ DATE		REV.: 版本	
X.°	±2.00°	APPROVED/ DATE		DWG. PATH	0383-1
CUSTOMER DRAWING				SHEET: 页码	