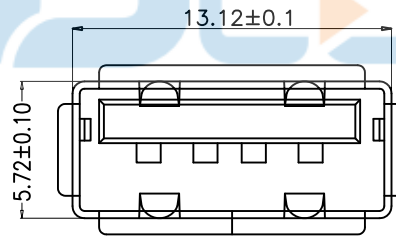
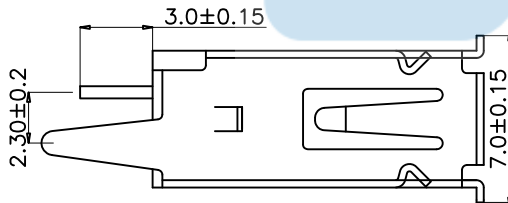


Recommended P. C. B Layout (± 0.05)



REV.	DESCRIPTION	NAME	DATE
A	NEWS ISSUE		

规格说明: Specifications:

电气特性: Electrical:

1. 额定电流: Current Rating
1.5A/contact terminal
2. 额定电压: Voltage Rating
30V DC
3. 接触阻抗: Contact Resistance
30 milliohms MAX
4. 耐电压: Dielectric Withstanding Voltage:
500 V AC AT Sea Level
5. 绝缘阻抗: Insulation Resistance:
1000MEGA ohms MIN

物理性能: Mechanical:

1. 插拔力: Connector Mate and Unmate Force
Mate force: 3.57kgf (MAX)
Unmate force: 1.02kgf (MIN)
2. 端子保持力: Terminal Retention
1.2kgf (MIN)

原材料: Material:

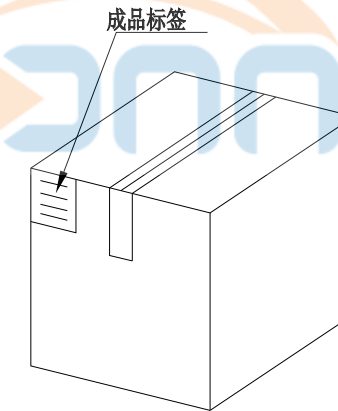
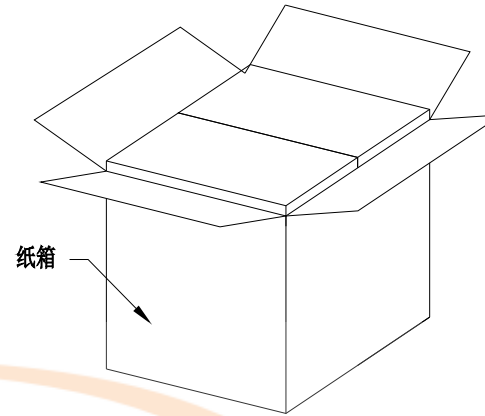
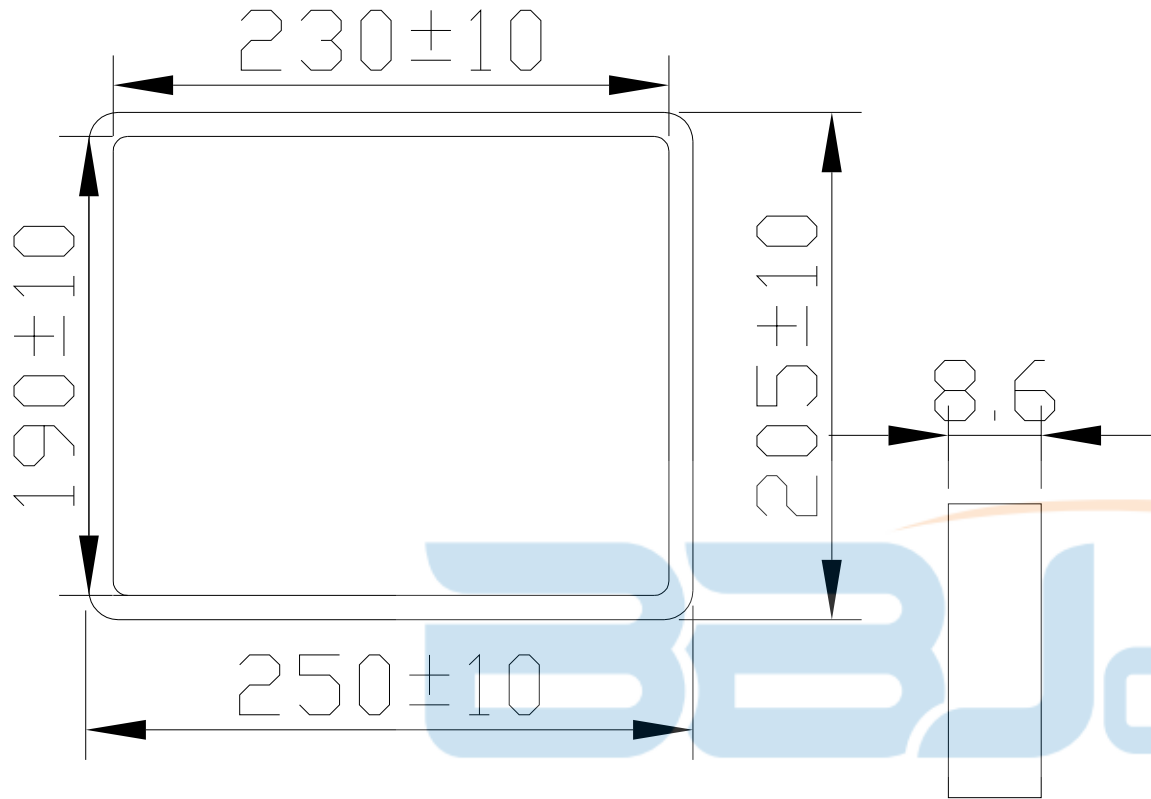
1. 塑胶: Housing:
Hing Temperature Ternmaplastics,
2. 外壳: Shell: SPCC / C2680
Nickel Plating
3. 端子: Contact: Copper Alloy C2680

电镀: Finish:

1. 端子: Contact: Plated Gold in Mating Area;
Tin On Solder Talls



TOLERANCE UNSPECIFIED		X. XXX ± 0.10		深圳市步步精科技有限公司 TITLE: USB 2.0 AF 180度 H=13.7 卷边 弯脚 PBT白胶 铁壳	
		X. XX ± 0.20			
		X. X ± 0.30		DRAWN/ DATE 设计 TSP SIZE:A4 UNIT:MM. PART. NO: UB.01.11-21-V010	
		Angle ± 2°		CHECKED/ DATE 审核 LYX SCALE: 1:1 PROJECTION REV.: 版本	
				APPROVED/ DATE 核准 LJP DWG. PATH 0383-1 SHEET: 页码	



纸箱规格：350*210*290

1. 包装要求:

- 1.1 每盒吸塑盒包装100 pcs;
- 1.2 每20盘放一箱，共计2000PCS;
- 1.3 纸箱外贴上标签



TOLERANCE UNSPECIFIED		深圳市步步精科技有限公司 TITLE: USB 2.0 AF 180度 H=13.7 卷边 弯脚 PBT白胶 铁壳			
.0	±0.35	SIZE: A4	UNIT: MM.	PART. NO: UB.01.11-21-V010	
.00	±0.25	SCALE: 1:1		PROJECTION	REV.: 版本
.000	±0.15	APPROVED/ DATE	DWG. PATH	0383-1	
X.°	±2.00°	CUSTOMER DRAWING			SHEET: 页码
DRAWN/ DATE		设计 TSP			
CHECKED/ DATE		审核 LYX			
APPROVED/ DATE		核准 LJP			