

REV.	DESCRIPTION	NAME	DATE
A	NEWS ISSUE		

规格说明:Specifications:

电气特性:Electrical:

1. 额定电流: Current Rating
1.5A/contact terminal
2. 额定电压: Voltage Rating
30V DC
3. 接触阻抗: Contact Resistance
30 milliohms MAX
4. 耐电压: Dielectric Withstanding Voltage:
500 V AC AT Sea Level
5. 绝缘阻抗: Insulation Resistance:
1000MEGA ohms MIN

物理性能: Mechanical:

1. 插拔力: Connector Mate and Unmate Force
Mate force: 3.57kgf (MAX)
Unmate force: 1.02kgf (MIN)
2. 端子保持力: Terminal Retention
1.2kgf (MIN)

原材料: Material:

1. 塑胶: Housing:
PBT WHITE/BLACK
2. 外壳: Shell: SPCC
Nickel Plating
2. 端子: Contact: Copper Alloy C2680

电镀: Finish:

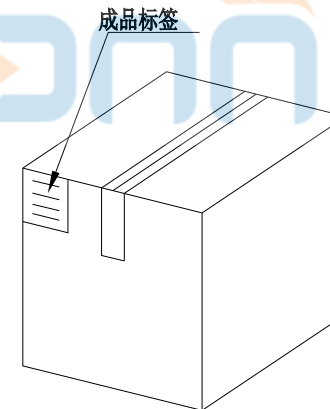
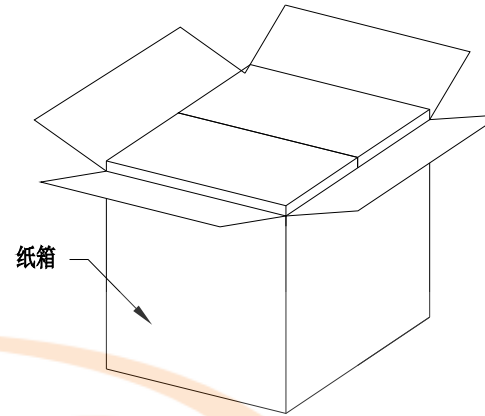
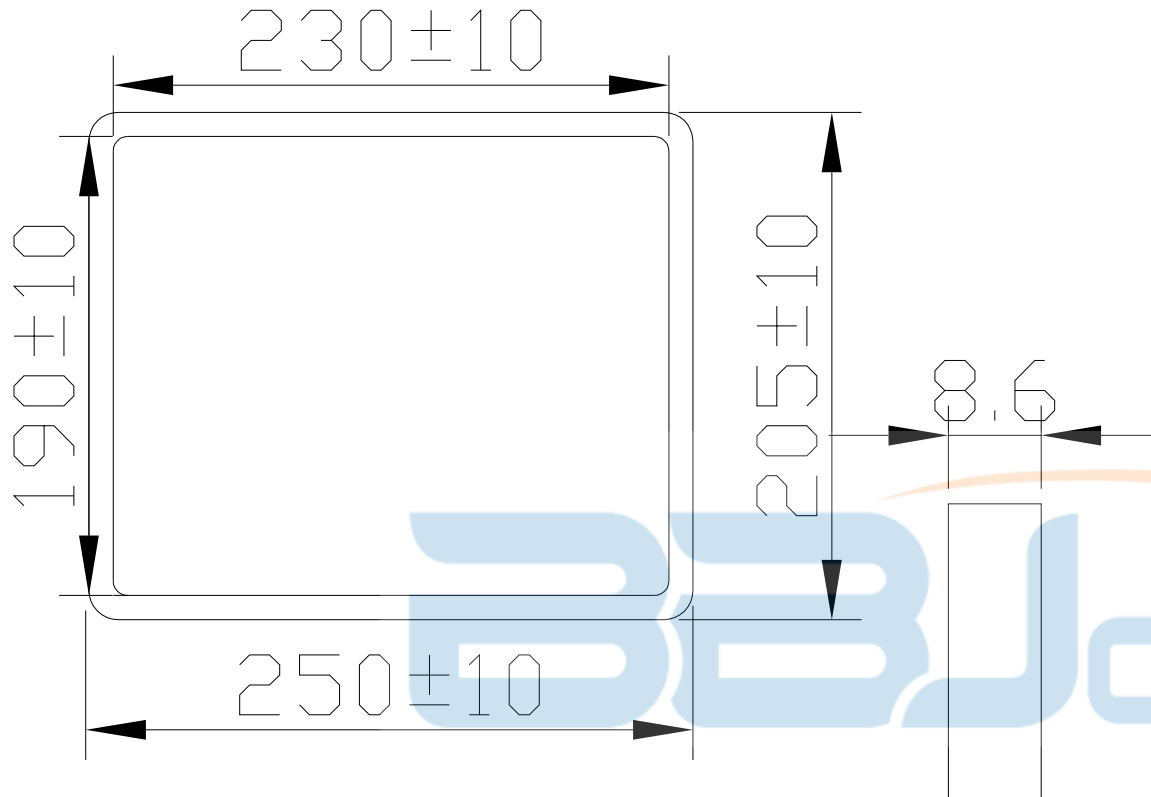
1. 端子: Contact: Plated Gold in Mating Area;
Tin On Solder Tails

TOLERANCES	
. X	±0.30
. XX	±0.20
. XXX	±0.10
ANGLES	±2.00°

深圳市步步精科技有限公司

TITLE: USB 2.0 AF 双层 90度 L=17.5 DIP 弯脚 卷边 PBT白胶 铁壳

DRAWN/ DATE	设计 GY	SIZE: A4	UNIT: MM.	PART. NO: UB.01.11-21-V005
CHECKED/ DATE	审核 LYX	SCALE: 1:1	PROJECTION	REV.: 版本
APPROVED/ DATE	核准 LJP	DWG. PATH	0383-1	SHEET: 页码



纸箱规格：350*210*290

1. 包装要求:

- 1.1 每盒吸塑盒包装100pcs;
- 1.2 每20盘放一箱，共计2000PCS;
- 1.3 纸箱外贴上标签



TOLERANCE UNSPECIFIED		深圳市步步精科技有限公司 TITLE: USB 2.0 AF 双层 90度 L=17.5 DIP 弯脚 卷边 PBT白胶 铁壳			
.0	±0.35	SIZE: A4	UNIT: MM.	PART. NO: UB.01.11-21-V005	
.00	±0.25	DRAWN/ DATE		SCALE: 1:1	PROJECTION
.000	±0.15	CHECKED/ DATE		REV.: 版本	
X.°	±2.00°	APPROVED/ DATE		DWG. PATH	SHEET: 页码
CUSTOMER DRAWING		0383-1			