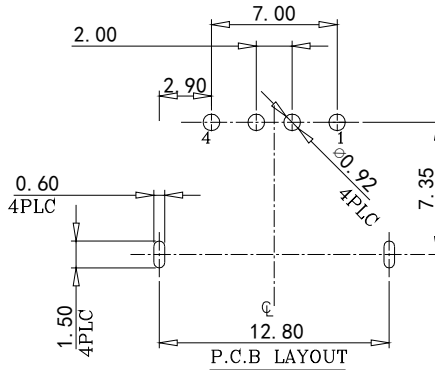
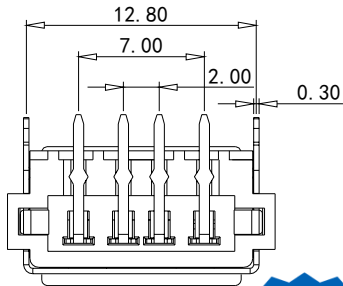
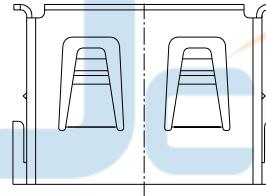
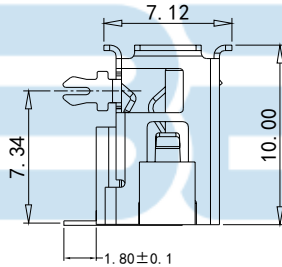
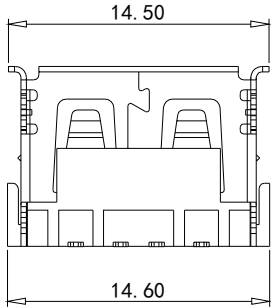


SECTION A-A



规格说明: Specifications:

电气特性: Electrical:

1. 额定电流: Current Rating
1.5A/contact terminal
2. 额定电压: Voltage Rating
30V DC
3. 接触阻抗: Contact Resistance
30 milliohms MAX
4. 耐电压: Dielectric Withstanding Voltage:
500 V AC AT Sea Level
5. 绝缘阻抗: Insulation Resistance:
1000MEGA ohms MIN

物理性能: Mechanical:

1. 插拔力: Connector Mate and Unmate Force
Mate force: 3.57kgf (MAX)
Unmate force: 1.02kgf (MIN)
2. 端子保持力: Terminal Retention
1.2kgf (MIN)

原材料: Material:

1. 塑胶: Housing:
Hing Temperature Ternmaplastics,
UI 94V-0 PBT White/Black
2. 端子: Contact: Copper Alloy C2680
3. 外壳: Shell: Copper Alloy C2680/SPCC

电镀: Finish:

1. 端子: Contact: Plated Gold in Mating Area;
Tin On Solder Talls
2. 外壳: Shell:
Nickel Plating

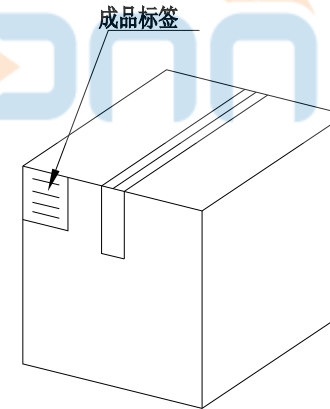
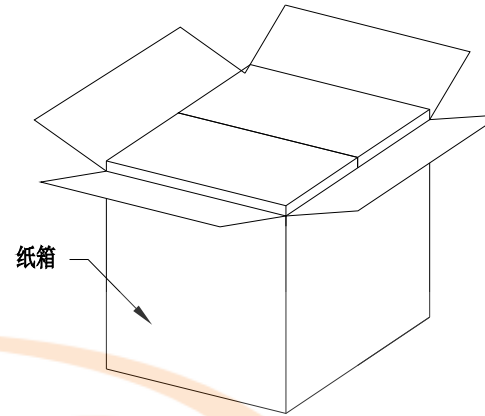
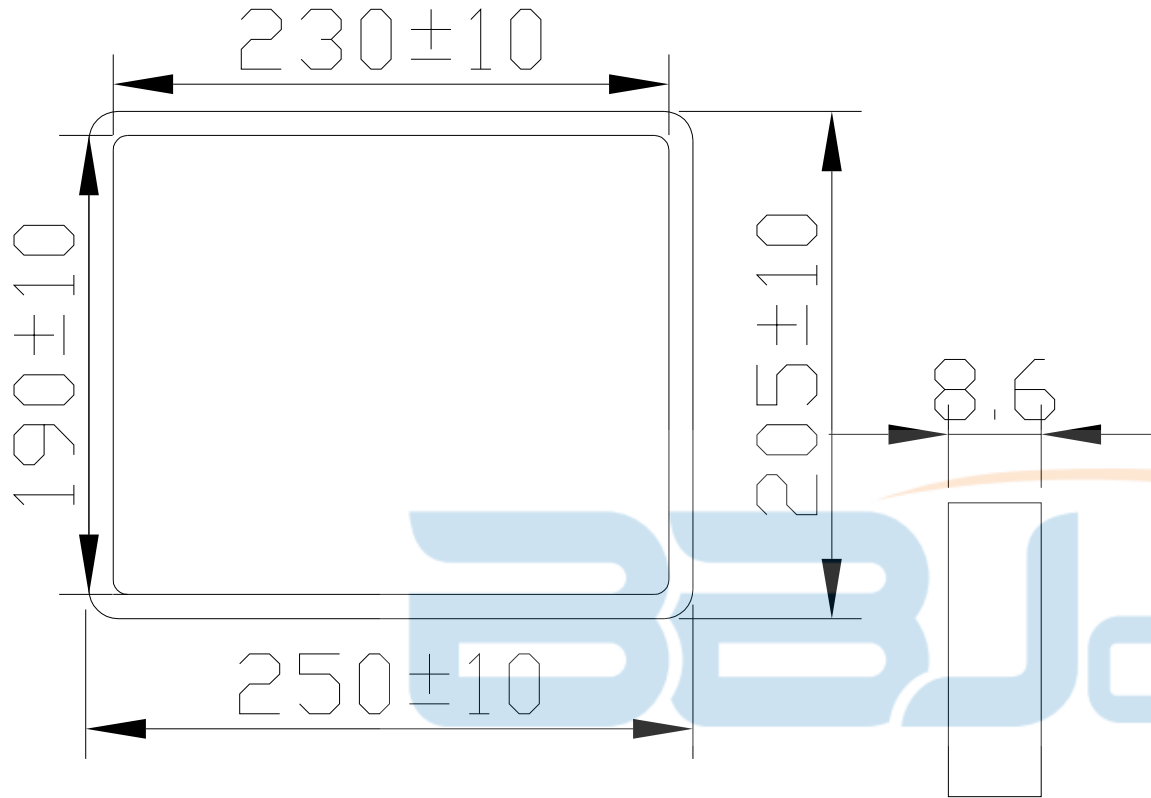
TOLERANCE UNSPECIFIED

X, X	±0.30
X, XX	±0.20
X, XXX	±0.10
X°	±5°
X, X°	±2°

JB 深圳市步步精科技有限公司

TITLE:
USB 2.0 AF 90度短体L=10.0 H=6.8 前俩脚插后插卷边铁壳PBT白胶

DRAWN/ DATE	设计 HMY	SIZE: A4	UNIT: MM.	PART. NO:	UB.01.11-21-V003
CHECKED/ DATE	审核 LYX	SCALE: 1:1	PROJECTION		REV.: 版本
APPROVED/ DATE	核准 LJP	DWG. PATH		0383-1	SHEET: 页码



纸箱规格: 350*210*290

1. 包装要求:

- 1.1 每盒吸塑盒包装100pcs;
- 1.2 每20盘放一箱, 共计2000PCS;
- 1.3 纸箱外贴上标签



TOLERANCE UNSPECIFIED		深圳市步步精科技有限公司 TITLE: USB 2.0 AF 90度短体L=10.0 H=6.8 前俩脚插后插卷边铁壳PBT白胶							
.0	±0.35								
.00	±0.25	DRAWN/ DATE		设计	HMY	SIZE: A4	UNIT: MM.	PART. NO:	UB.01.11-21-V003
.000	±0.15	CHECKED/ DATE		审核	LYX	SCALE: 1:1	PROJECTION	REV.:	版本
X.°	±2.00°	APPROVED/ DATE		核准	LJP	DWG. PATH		0383-1	SHEET: 页码
CUSTOMER DRAWING									