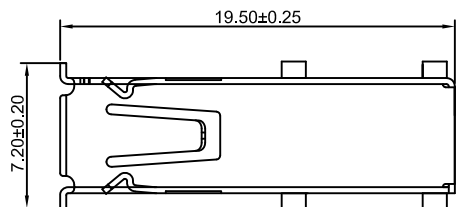


PCB Layout



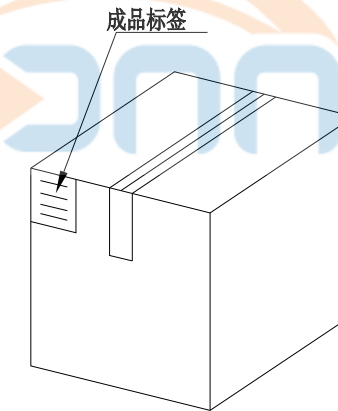
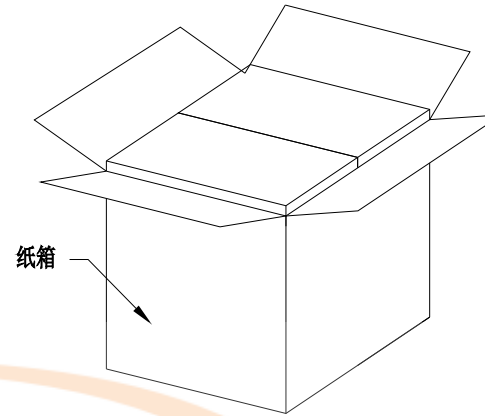
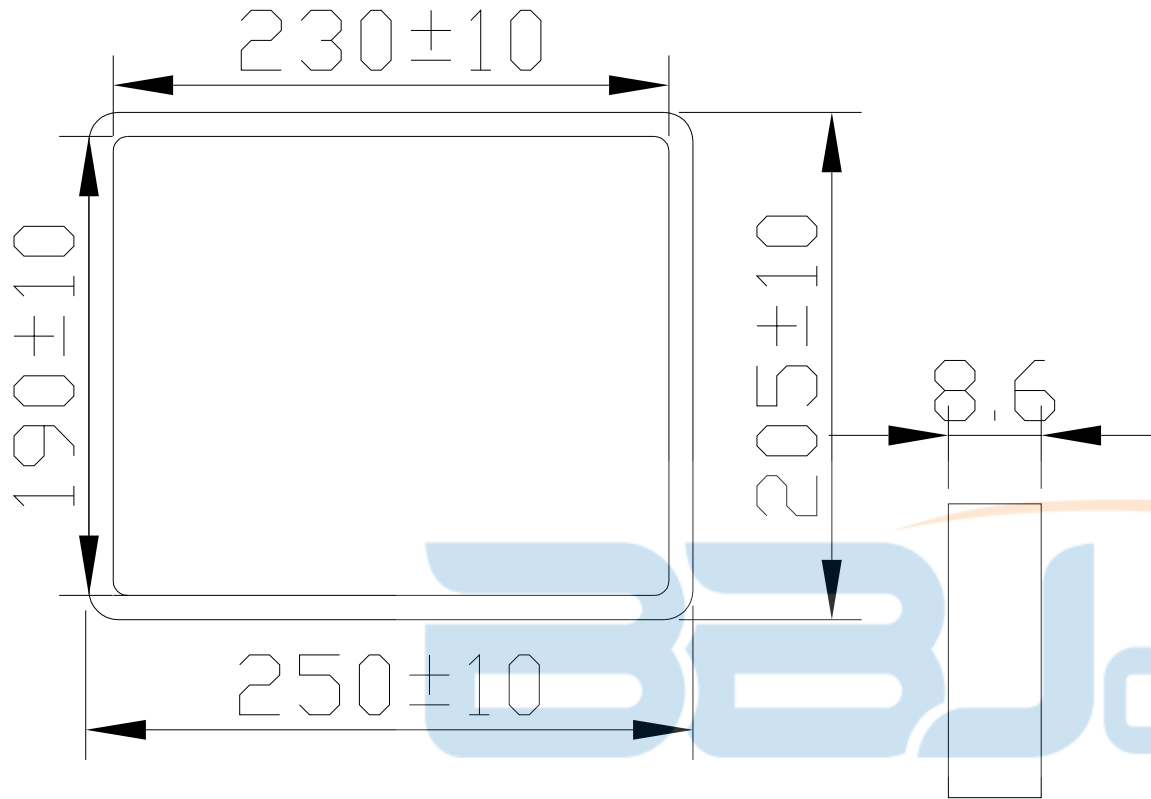
REV.	DESCRIPTION	NAME	DATE
A	NEWS ISSUE		

NOTE:

- MATERIAL:
 - 1-1. HOUSING: PBT/LCP GF UL94 V-0
 - 1-2. CONTACT: Copper Alloy T=0.25±0.02mm (SURFACE PLATING: Au0.8U"+Sn60-100U"+Ni40U")
 - 1-3. SHEEL: SPCC/C2680 (SURFACE PLATING: Cu60-100U"+Ni80-110U")
 - ELECTRICAL CHARACTERISTICS
 - 2-1. CONTACT RESISTANCE: 20 milliohms MAX.
 - 2-2. INSULATION RESISTANCE: 1,000 Megohms MIN.
 - 2-3. DIELECTRIC WITHSTANDING VOLTAGE: 500V AC MIN
 - 2-4. OPERATION TEMPERATURE: -20° C TO +85° C
- RoHS Compliant



TOLERANCE UNSPECIFIED		深圳市步步精科技有限公司 TITLE: USB 2.0 母座 侧插弯脚长体 L=19.50 H=13.70 卷边 PBT白胶 铜壳				
.0	±0.35	DRAWN/ DATE	设计 TSP	SIZE: A4	UNIT: MM.	PART. NO: UB. 01.41-22-V004
.00	±0.25	CHECKED/ DATE	审核 LYX	SCALE: 1:1	PROJECTION	REV.: 版本
.000	±0.15	APPROVED/ DATE	核准 LJP	DWG. PATH	0383-1	SHEET: 页码
X. °	±2.00°					
	CUSTOMER DRAWING					



纸箱规格：350*210*290

1. 包装要求:

- 1.1 每盒吸塑盒包装100 pcs;
- 1.2 每20盘放一箱，共计2000PCS;
- 1.3 纸箱外贴上标签



TOLERANCE UNSPECIFIED		深圳市步步精科技有限公司 TITLE: USB 2.0 母座 侧插弯脚长体 L=19.50 H=13.70 卷边 PBT白胶 铜壳							
.0	±0.35	DRAWN/	设计	TSP	SIZE: A4	UNIT: MM.	PART. NO:	UB. 01.41-22-V004	
.00	±0.25	DATE							
.000	±0.15	CHECKED/	审核	LYX	SCALE: 1:1	PROJECTION			REV.: 版本
X.°	±2.00°	DATE							
CUSTOMER DRAWING		APPROVED/	核准	LJP	DWG. PATH		0383-1	SHEET: 页码	
		DATE							