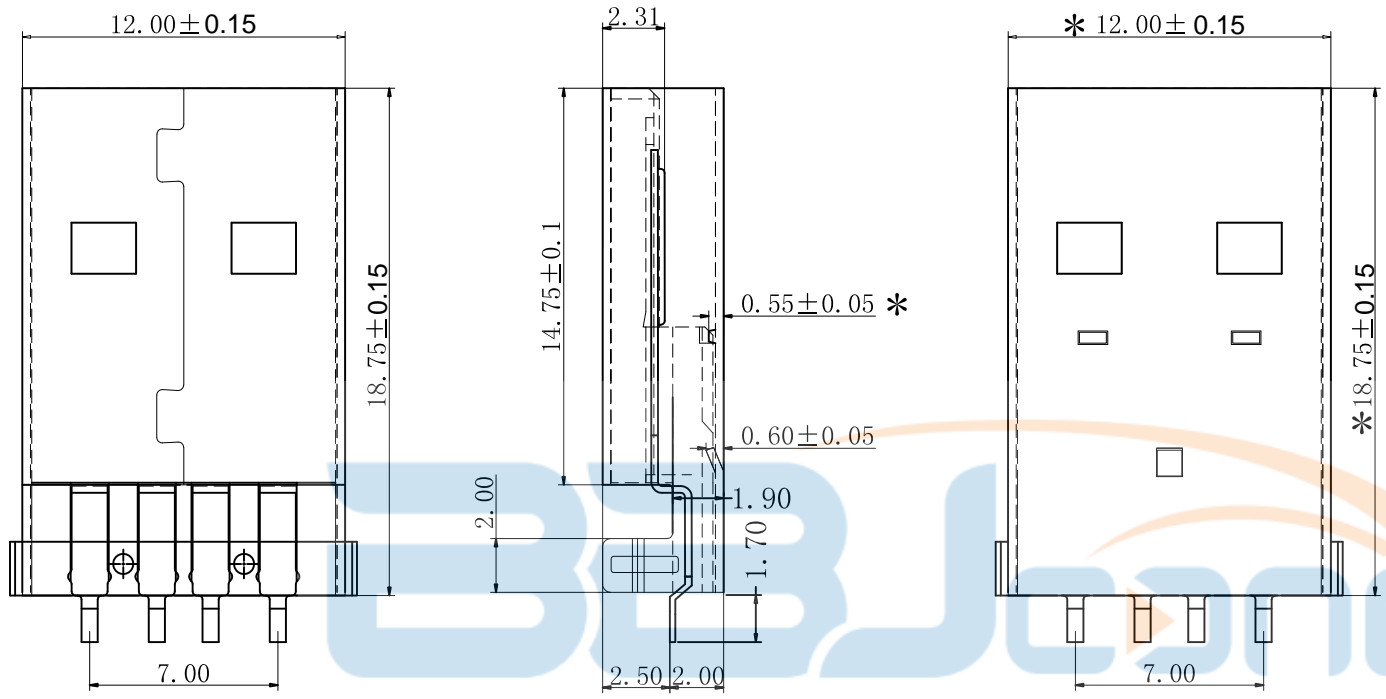




| REV. | DESCRIPTION | NAME | DATE |
|------|-------------|------|------|
| A | NEWS ISSUE | | |



规格说明: Specifications:

电气特性: Electrical:

1. 额定电流: Current Rating
1.5A/contact terminal
2. 额定电压: Voltage Rating
30V DC
3. 接触阻抗: Contact Resistance
30 milliohms MAX
4. 耐电压: Dielectric Withstanding Voltage:
500 V AC AT Sea Level
5. 绝缘阻抗: Insulation Resistance:
1000MEGA ohms MIN

物理性能: Mechanical:

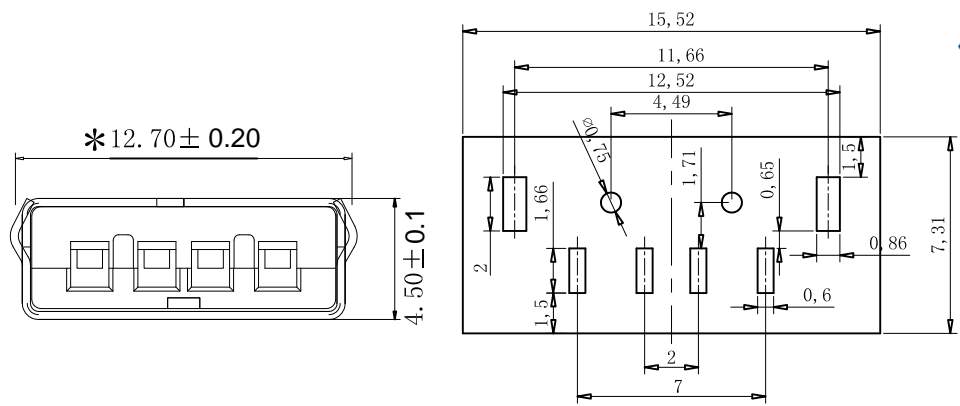
1. 插拔力: Connector Mate and Unmate Force
Mate force: 3.75kgf (MAX)
Unmate force: 1.02kgf (MIN)
2. 端子保持力: Terminal Retention
1.2kgf (MIN)

原材料: Material:

1. 塑胶: Housing:
High Temperature Thermoplastics,
UL 94V-0 PBT/LCP White/Black
2. 端子: Contact: Copper Alloy C2680
3. 外壳: Shell: Copper Alloy C2680/SPCC

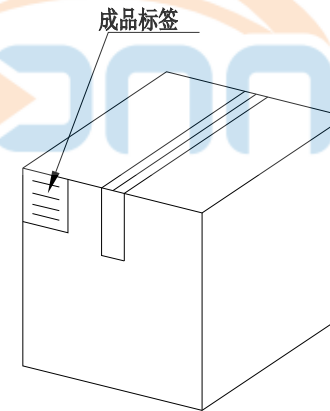
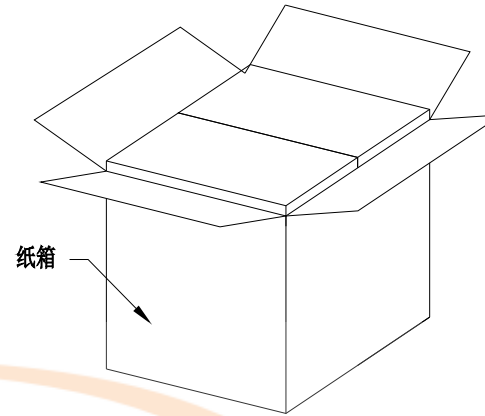
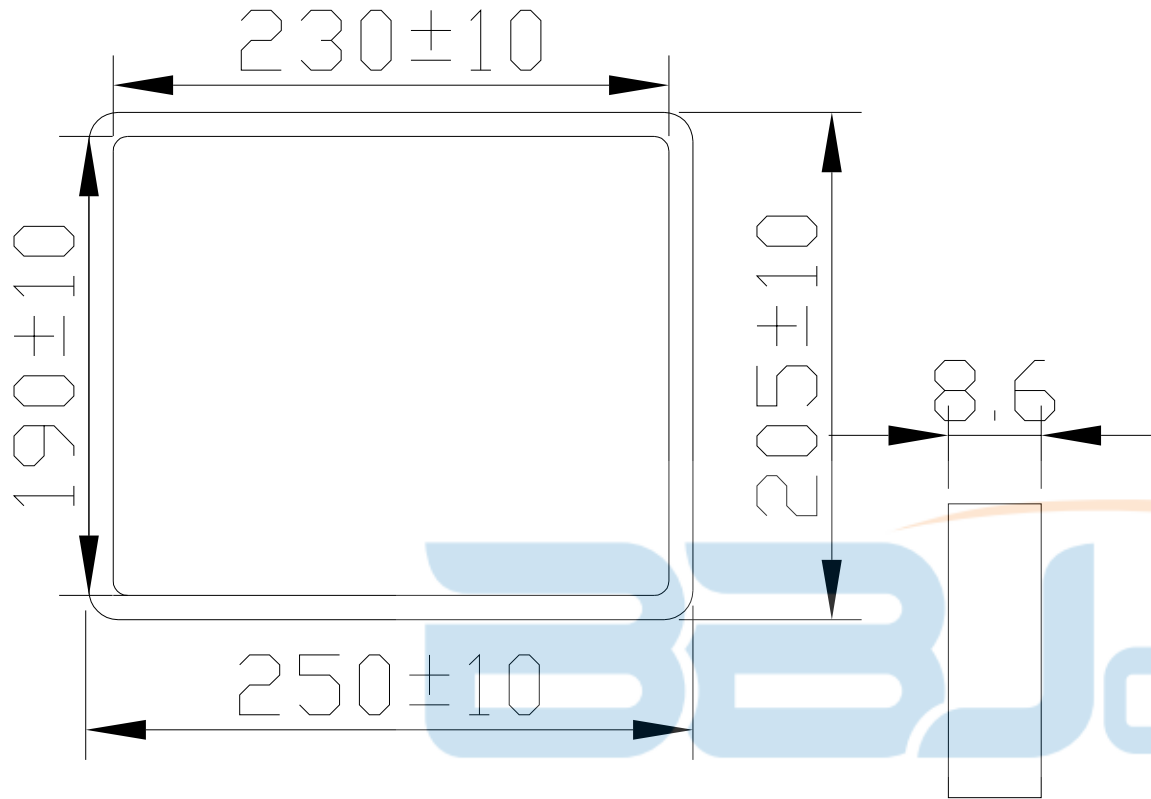
电镀: Finish:

1. 端子: Contact: Plated Gold in Mating Area;
Tin On Solder Talls
2. 外壳: Shell:
Nickel Plating



PCB LAYOUT

| | | | | | | |
|-----------------------|--------|--|--------|------------|------------|----------------------------|
| TOLERANCE UNSPECIFIED | | 深圳市步步精科技有限公司 TITLE: USB 2.0 公头 180度 卧式弯脚 L=18.75 沉板2.5 (端子SMT)带柱 平口 LCP黑胶 铜壳 | | | | |
| .0 | ±0.35 | | | | | |
| .00 | ±0.25 | DRAWN/ DATE | 设计 TSP | SIZE: A4 | UNIT: MM. | PART. NO: UB.02.32-12-W001 |
| .000 | ±0.15 | CHECKED/ DATE | 审核 LYX | SCALE: 1:1 | PROJECTION | REV.: 版本 |
| X.° | ±2.00° | APPROVED/ DATE | 核准 LJP | DWG. PATH | 0507-1 | SHEET: 页码 |
| CUSTOMER DRAWING | | | | | | |



纸箱规格: 350*210*290

1. 包装要求:

- 1.1 每盒吸塑盒包装100 pcs;
- 1.2 每50盘放一箱, 共计5000PCS;
- 1.3 纸箱外贴上标签



| | | | | | | | | | | |
|-----------------------|--------|---|--|----|-----|------------|-----------|----------------------------|-----------|--|
| TOLERANCE UNSPECIFIED | | 深圳市步步精科技有限公司 TITLE: USB 2.0 公头 180度 卧式弯脚 L=18.75 沉板2.5 (端子SMT) 带柱 平口 LCP黑胶 铜壳 | | | | | | | | |
| .0 | ±0.35 | | | | | | | | | |
| .00 | ±0.25 | DRAWN/ DATE | | 设计 | TSP | SIZE: A4 | UNIT: MM. | PART. NO: UB.02.32-12-W001 | | |
| .000 | ±0.15 | CHECKED/ DATE | | 审核 | LYX | SCALE: 1:1 | | PROJECTION | REV.: 版本 | |
| X.° | ±2.00° | APPROVED/ DATE | | 核准 | LJP | DWG. PATH | 0507-1 | | SHEET: 页码 | |
| CUSTOMER DRAWING | | | | | | | | | | |