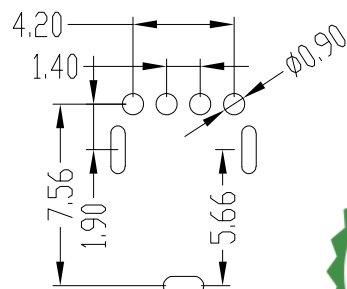
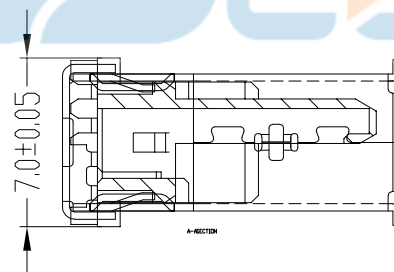
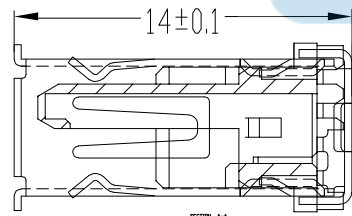
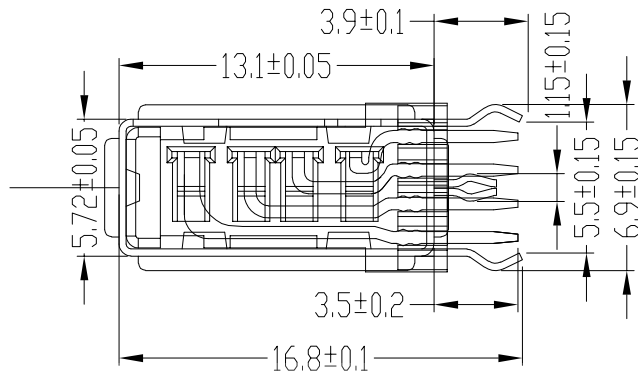
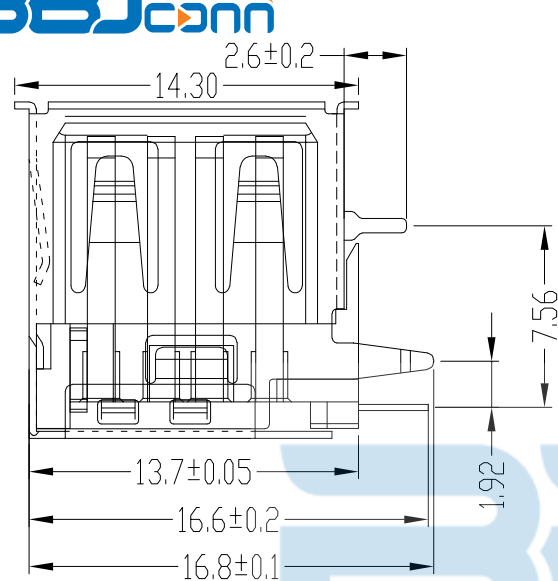




REV.	DESCRIPTION	NAME	DATE
A	NEWS ISSUE		



规格说明: Specifications:

电气特性: Electrical:

1. 额定电流: Current Rating
1.5A/contact terminal
2. 额定电压: Voltage Rating
30V DC
3. 接触阻抗: Contact Resistance
30 milliohms MAX
4. 耐电压: Dielectric Withstanding Voltage:
500 V AC AT Sea Level
5. 绝缘阻抗: Insulation Resistance:
1000MEGA ohms MIN

物理性能: Mechanical:

1. 插拔力: Connector Mate and Unmate Force
Mate force: 3.75kgf (MAX)
Unmate force: 1.02kgf (MIN)
2. 端子保持力: Terminal Retention
1.2kgf (MIN)

原材料: Material:

1. 塑胶: Housing:
Hing Temperature Tnermaplastics,
Ul 94V-0 PBT/LCP White/Black
2. 端子: Contact: Copper Alloy C2680
3. 外壳: Shell: Copper Alloy C2680/SPCC

电镀: Finish:

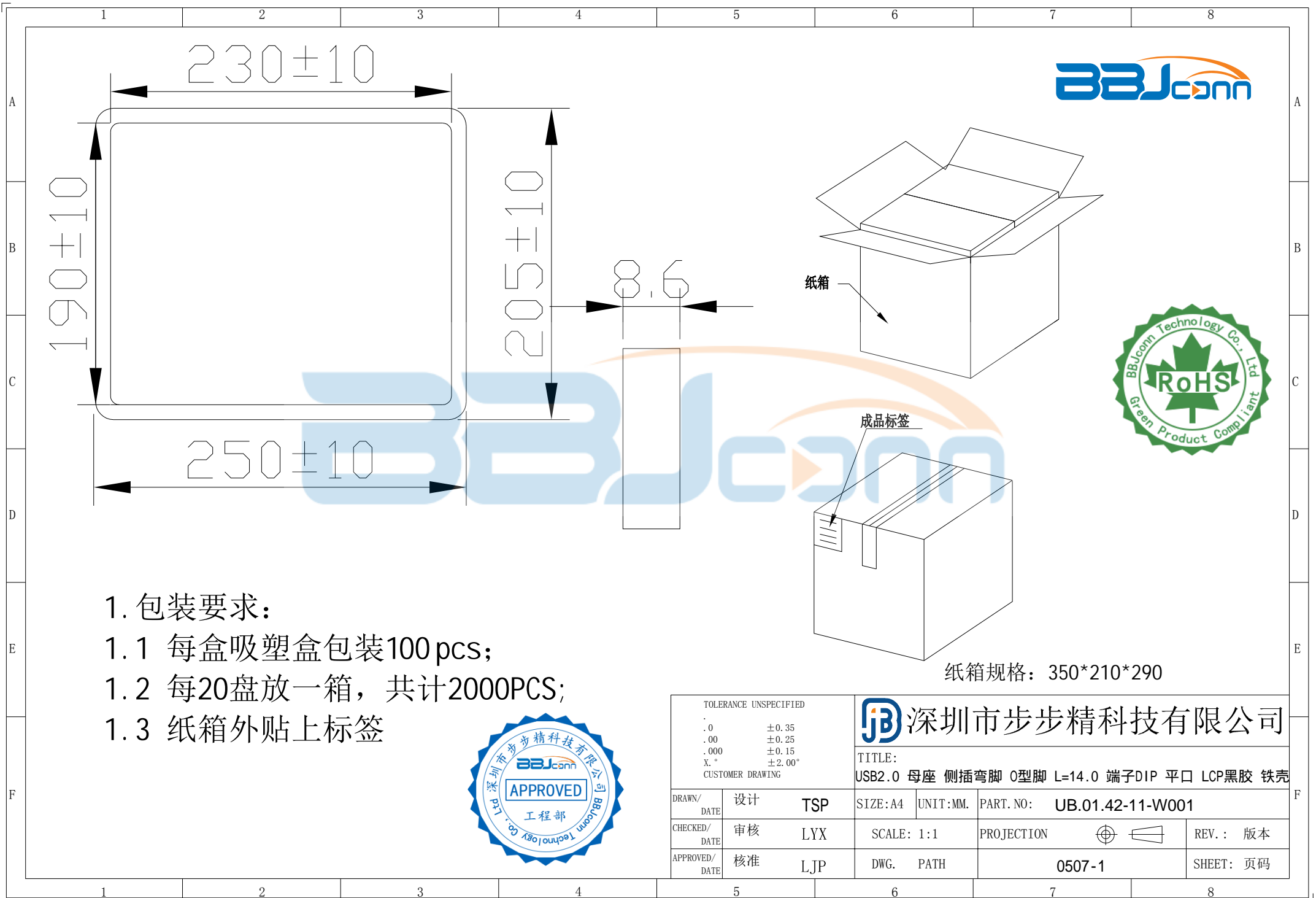
1. 端子: Contact: Plated Gold in Mating Area;
Tin On Solder Talls
2. 外壳: Shell:
Nickel Plating

未注公差
TOLERANCE UNSPECIFIED
X.X ±0.30
X.XX ±0.20
X.XXX ±0.10
X° ±5°
X.X° ±2°

深圳市步步精科技有限公司

TITLE:
USB 2.0 母座 侧插弯脚 0型脚 L=14.0 端子DIP 平口 LCP黑胶 铁壳

DRAWN/ DATE	设计 LHC	SIZE: A4	UNIT: MM.	PART. NO: UB.01.42-11-W001
CHECKED/ DATE	审核 LYX	SCALE: 1:1	PROJECTION	REV.: 版本
APPROVED/ DATE	核准 LJP	DWG. PATH	0507-1	SHEET: 页码



1. 包装要求:

- 1.1 每盒吸塑盒包装100 pcs;
- 1.2 每20盘放一箱, 共计2000PCS;
- 1.3 纸箱外贴上标签



纸箱规格: 350*210*290

TOLERANCE UNSPECIFIED		深圳市步步精科技有限公司 TITLE: USB2.0 母座 侧插弯脚 O型脚 L=14.0 端子DIP 平口 LCP黑胶 铁壳			
.0	±0.35	SIZE: A4	UNIT: MM.	PART. NO: UB.01.42-11-W001	
.00	±0.25	SCALE: 1:1		PROJECTION	REV.: 版本
.000	±0.15	APPROVED/ DATE	DWG. PATH	0507-1	
X. °	±2.00°	CHECKED/ DATE	核 准		SHEET: 页码
CUSTOMER DRAWING		DESIGN	LJP		
		DATE	LYX		
		DATE	LJP		