



REV.	DESCRIPTION	NAME	DATE
A	NEWS ISSUE		

规格说明: Specifications:

电气特性: Electrical:

1. 额定电流: Current Rating
1.5A/contact terminal
2. 额定电压: Voltage Rating
30V DC
3. 接触阻抗: Contact Resistance
30 milliohms MAX
4. 耐压: Dielectric Withstanding Voltage:
500 V AC AT Sea Level
5. 绝缘阻抗: Insulation Resistance:
1000MEGA ohms MIN

物理性能: Mechanical:

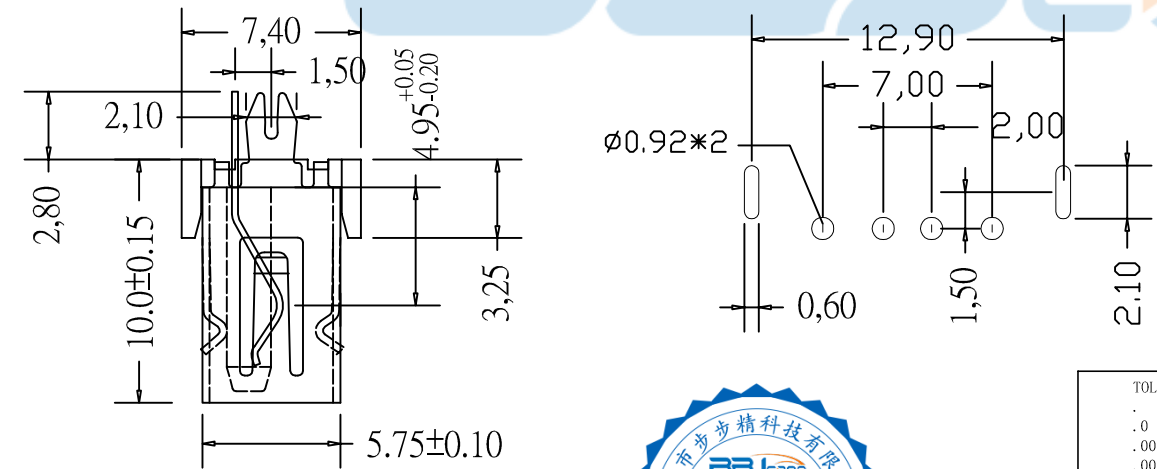
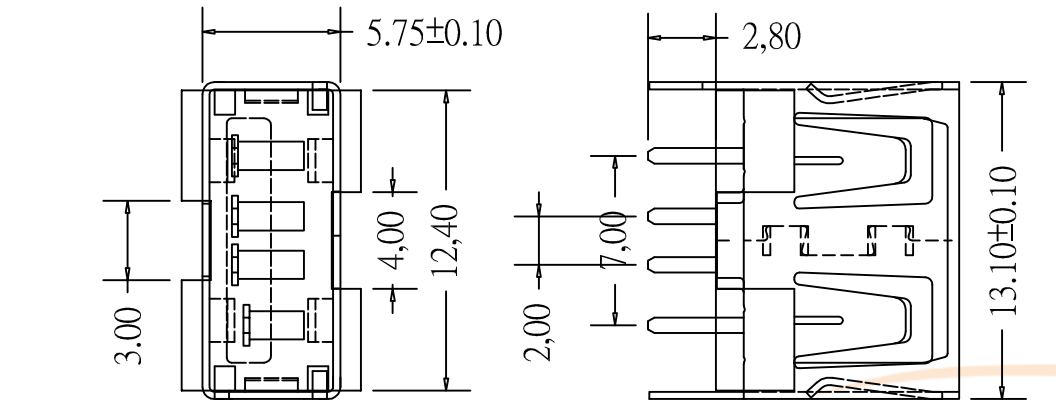
1. 插拔力: Connector Mate and Unmate Force
Mate force: 3.57kgf(MAX)
Unmate force: 1.02kgf(MIN)
2. 端子保持力: Terminal Retention
1.0kgf(MIN)

原材料: Material:

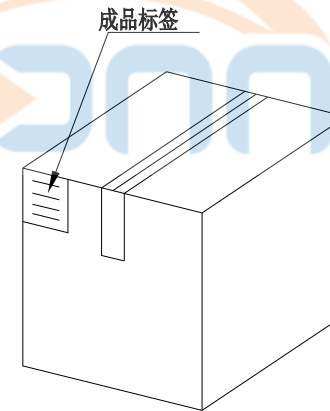
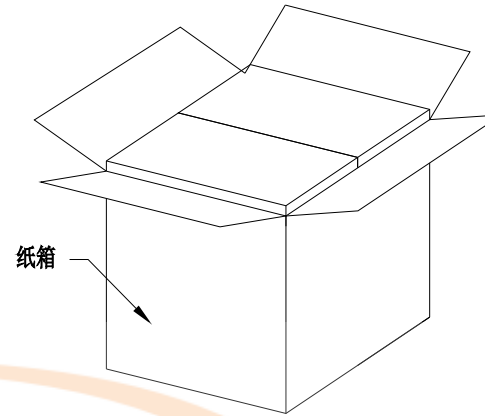
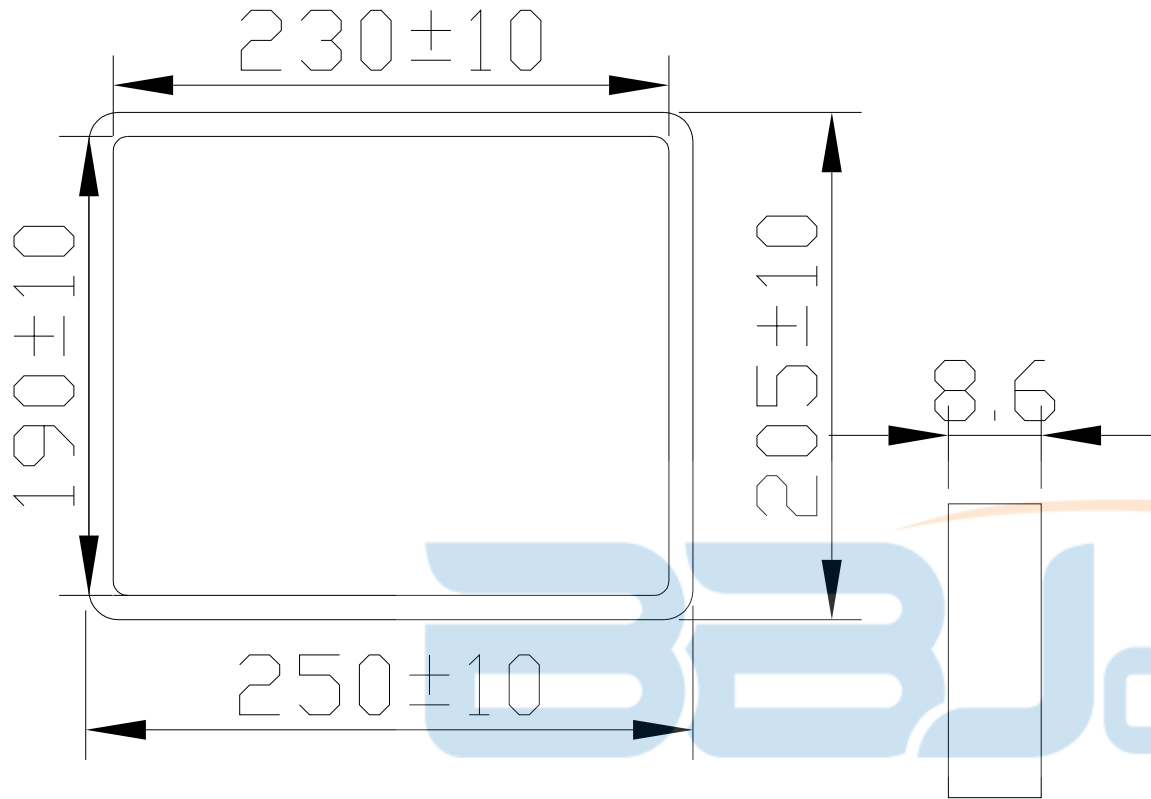
1. 塑胶: Housing:
Hing Temperature Thermoplastics,
2. 端子: Contact: Copper Alloy C2680
3. 外壳: Shell: Copper Alloy C2680/SPCC

电镀: Finish:

1. 端子: Contact: Plated Gold in Mating Area;
Tin On Solder Talls
2. 外壳: Shell: 铜壳四周镀80U”(MIN) 镍
Nickel Plating



TOLERANCE UNSPECIFIED		深圳市步步精科技有限公司	
.0	±0.35	TITLE:	
.00	±0.25	USB 2.0 AF 180度 直插直脚 短体 L=10.0 端子DIP 平口 PBT黑胶 铁壳	
.000	±0.15	DRAWN/ DATE	设计 TSP
X.°	±2.00°	CHECKED/ DATE	审核 LYX
CUSTOMER DRAWING		APPROVED/ DATE	核准 LJP
SIZE: A4	UNIT: MM.	PART. NO:	UB.01.12-11-3005
SCALE: 1:1	PROJECTION	REV.:	版本
DWG. PATH	0020-1	SHEET:	页码



纸箱规格：350*210*290

1. 包装要求:

- 1.1 每盒吸塑盒包装100 pcs;
- 1.2 每20盘放一箱，共计2000PCS;
- 1.3 纸箱外贴上标签



TOLERANCE UNSPECIFIED		深圳市步步精科技有限公司 TITLE: USB 2.0 AF 180度 直插直脚 短体 L=10.0 端子DIP 平口 PBT黑胶 铁壳								
.0	±0.35									
.00	±0.25	DRAWN/ DATE		设计	TSP	SIZE: A4	UNIT: MM.	PART. NO: UB.01.12-11-3005		
.000	±0.15	CHECKED/ DATE		审核	LYX	SCALE: 1:1		PROJECTION	REV.: 版本	
X.°	±2.00°	APPROVED/ DATE		核准	LJP	DWG. PATH	0020-1		SHEET: 页码	
CUSTOMER DRAWING										