

RECOMMENDED P.C.B LAYOUT

REV.	DESCRIPTION	NAME	DATE
A	NEWS ISSUE		

规格说明: Specifications:

电气特性: Electrical:

1. 额定电流: Current Rating
1.5A/contact terminal
2. 额定电压: Voltage Rating
30V DC
3. 接触电阻: Contact Resistance
30 milliohms MAX
4. 耐电压: Dielectric Withstanding Voltage:
500 V AC AT Sea Level
5. 绝缘电阻: Insulation Resistance:
1000MEGA ohms MIN

物理性能: Mechanical:

1. 插拔力: Connector Mate and Unmate Force
Mate force: 3.57kgf(MAX)
Unmate force: 1.02kgf(MIN)
2. 端子保持力: Terminal Retention
1.0kgf(MIN)

原材料: Material:

1. 塑胶: Housing:
Hing Temperature Ternmaplastics,
2. 端子: Contact: Copper Alloy C2680
3. 外壳: Shell: Copper Alloy C2680/SPCC

电镀: Finish:

1. 端子: Contact: Plated Gold in Mating Area;
Tin On Solder Tails
端子四周镀50U"(MIN)锡, 镀金区域镀100-200U"镀金1U"
2. 外壳: Shell:
铜壳四周镀80U"(MIN)锡
Nickel Plating

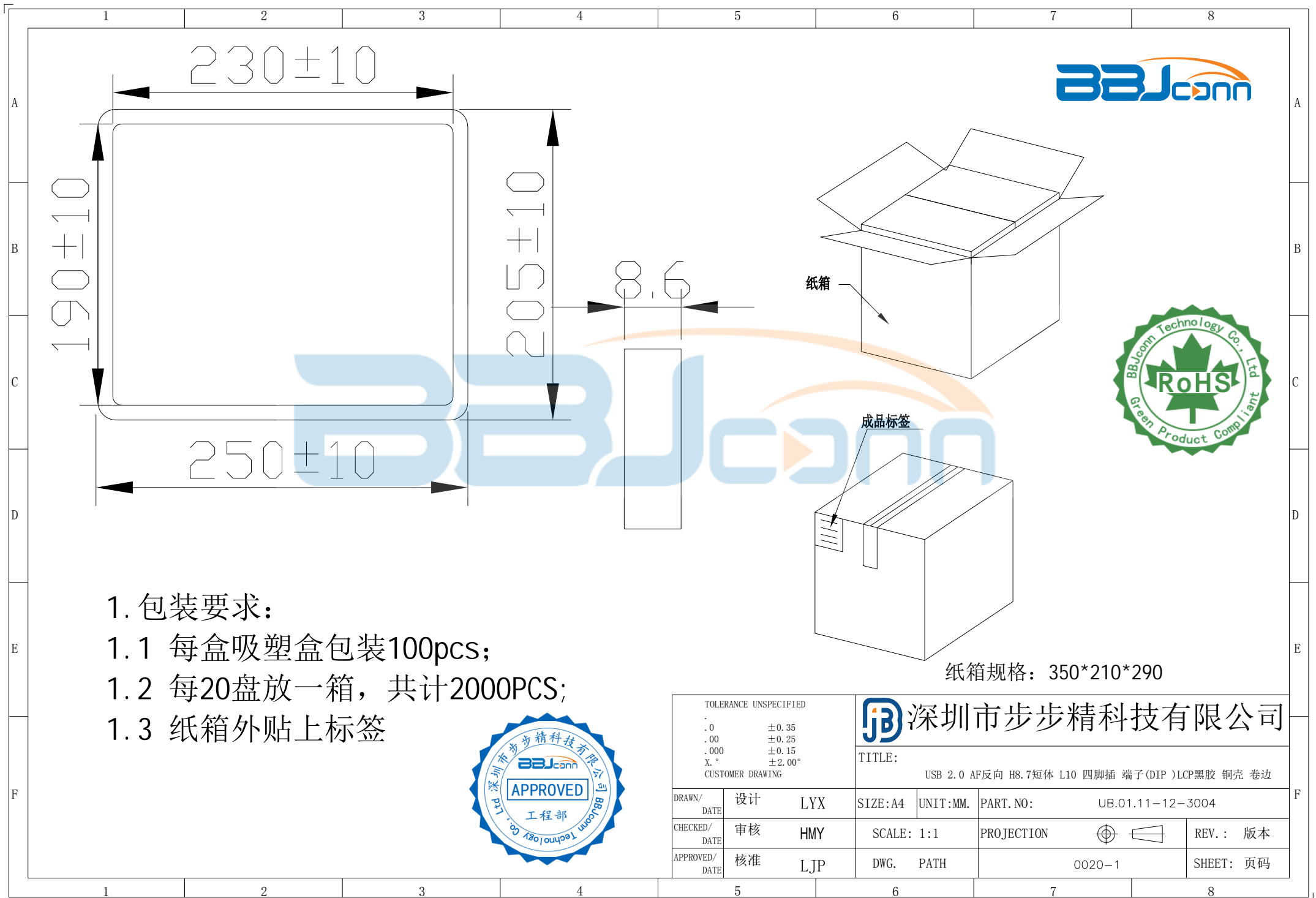


TOLERANCE UNSPECIFIED	
.X±0.15	X.±5'
.XX±0.05	.X±2'
.XXX±0.02	.XX±1'

深圳市步步精科技有限公司

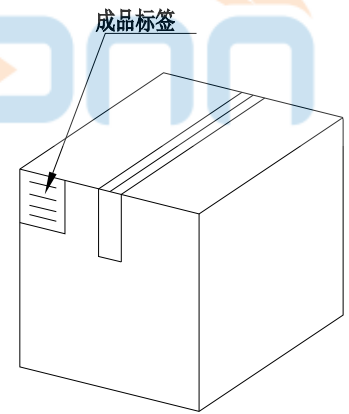
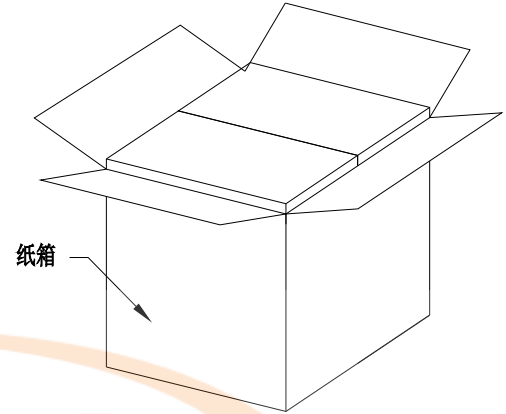
TITLE: USB 2.0 AF反向 H8.7短体 L10 四脚插 端子(DIP) LCP黑胶 铜壳 卷边

DRAWN/ DATE	设计 HMY	SIZE: A4	UNIT: MM.	PART. NO:	UB.01.11-12-3004
CHECKED/ DATE	审核 LYX	SCALE: 1:1	PROJECTION		REV.: 版本
APPROVED/ DATE	核准 LJP	DWG. PATH		0020-1	SHEET: 页码



1. 包装要求:

- 1.1 每盒吸塑盒包装100pcs;
- 1.2 每20盘放一箱, 共计2000PCS;
- 1.3 纸箱外贴上标签



纸箱规格: 350*210*290

TOLERANCE UNSPECIFIED			深圳市步步精科技有限公司 TITLE: USB 2.0 AF反向 H8.7短体 L10 四脚插 端子(DIP)LCP黑胶 铜壳 卷边			
.0	±0.35					
.00	±0.25					
.000	±0.15					
X.°	±2.00°					
CUSTOMER DRAWING						
DRAWN/ DATE	设计 LYX	SIZE: A4	UNIT: MM.	PART. NO:	UB.01.11-12-3004	
CHECKED/ DATE	审核 HMY	SCALE: 1:1	PROJECTION		REV.: 版本	
APPROVED/ DATE	核准 LJP	DWG. PATH	0020-1		SHEET: 页码	