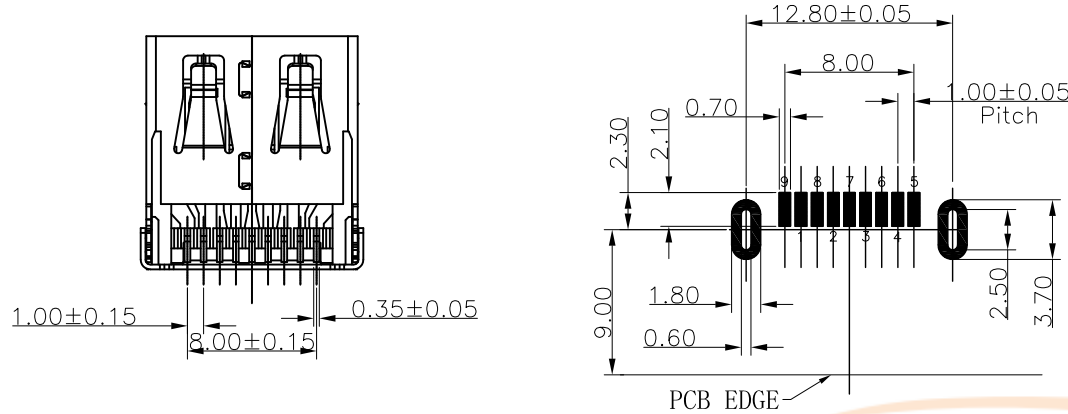
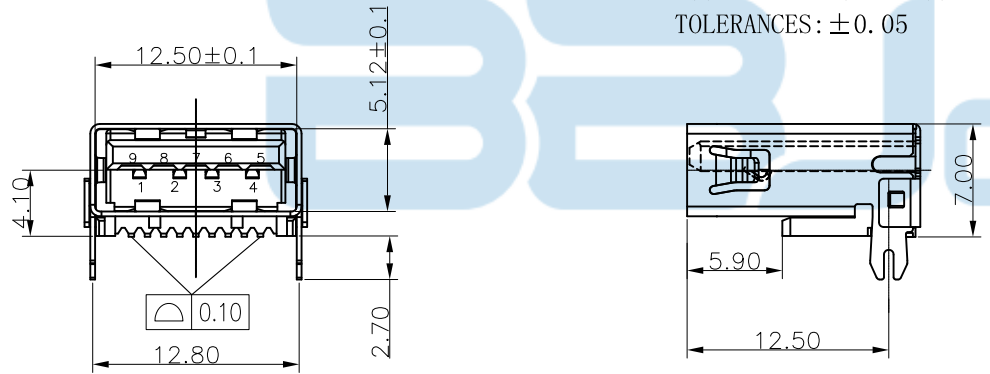




REV.	DESCRIPTION	NAME	DATE
A	NEWS ISSUE		

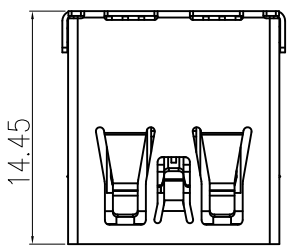


RECOMMENDED PCB LAYOUT
TOLERANCES: ±0.05

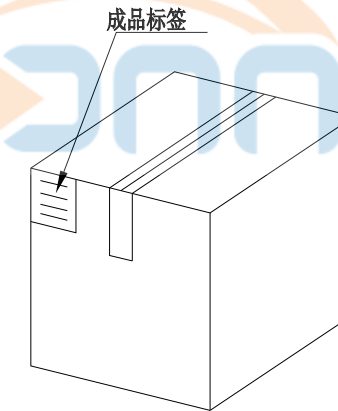
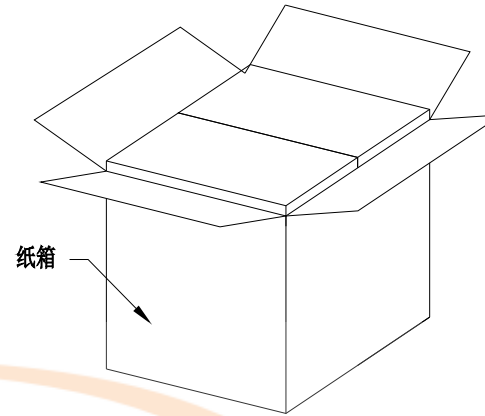
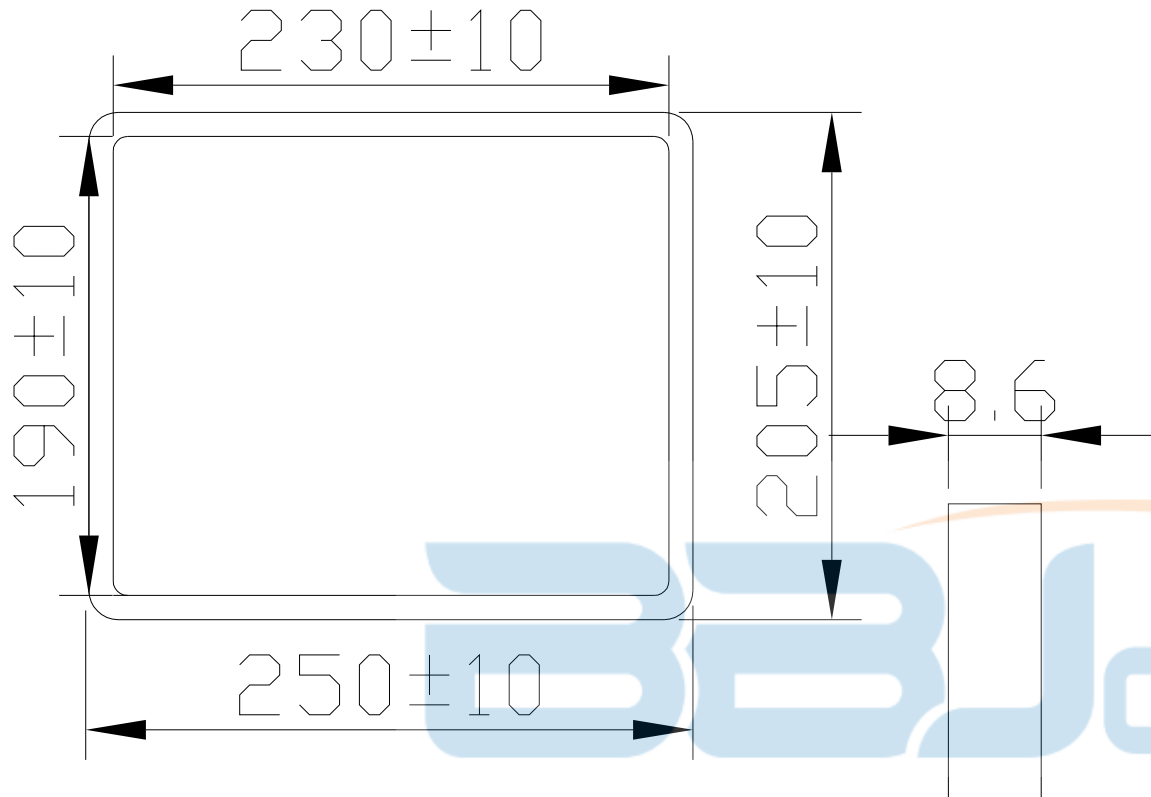


NOTE:
1. MATERIAL:
1.1 INSULATOR:HIGH TEMPERATURE PLASTIC
1.2 CONTACT:BRONZE,
1.3 SHELL:SUS201 (T=0.30mm)
2. ELECTRICAL CHARACTERISTICS:
2.1 CONTACT RESISTANCE:30mΩ MAXIMUM
2.2 CONTACT CURRENT RATING:1.5A
2.3 DIELECTRIC WITHSTANDING VOLTAGE:100 V AC R. M. S.
2.4 INSULATION RESISTANCE 100 MEGOHMS MIN
2.5 OPERATING TEMPERATURE:-40° C ~ 85° C
3. MECHANICAL CHARACTERISTICS:
3.1 MATING FORCE:3.57kgf MAX
3.2 UNMATED FORCE:0.82kgf MIN AFTER TEST
3.3 DURABILITY MANDATORY:1,500 CYCLES
3.4 Salt Spray: 24 hours
4. PLATING
4.1 TERMINAL:
50u" NICKEL ALL OVER
80u" Tin ON SOLDER AREA
(1~30)u"Au ON CONTACT AREA
4.2 SHELL:50u"NICEL ALL OVER

NO.	TITLE	Q'TY	MATERIAL
3	SHELL	1	SUS201
2	TERMINAL	9	BRONZE
1	Molding-ASSY	1	LCP



TOLERANCE UNSPECIFIED .0 ±0.35 .00 ±0.25 .000 ±0.15 X.° ±2.00° CUSTOMER DRAWING		深圳市步步精科技有限公司 TITLE: USB 3.0 AF 90度 后两脚插 端子SMT L=14.45 鱼叉脚 平口 LCP蓝胶 不锈钢外壳			
DRAWN/ DATE	设计 TSP	SIZE:A4	UNIT:MM.	PART. NO:	UB.03.52-33-W002
CHECKED/ DATE	审核 LYX	SCALE: 1:1	PROJECTION	REV.: 版本	
APPROVED/ DATE	核准 LJP	DWG. PATH	0471-1		SHEET: 页码



纸箱规格：350*210*290

1. 包装要求:

- 1.1 每盒吸塑盒包装100 pcs;
- 1.2 每23盘放一箱，共计2300PCS;
- 1.3 纸箱外贴上标签



TOLERANCE UNSPECIFIED		深圳市步步精科技有限公司 TITLE: USB 3.0 AF 90度 后两脚插 端子SMT L=14.45 鱼叉脚 平口 LCP蓝胶 不锈钢外壳			
.0	±0.35	SIZE: A4	UNIT: MM.	PART. NO: UB.03.52-33-W002	
.00	±0.25	CHECKED/ DATE	SCALE: 1:1	PROJECTION	REV.: 版本
.000	±0.15	APPROVED/ DATE	DWG. PATH	0471-1	SHEET: 页码
X. °	±2.00°	CUSTOMER DRAWING			