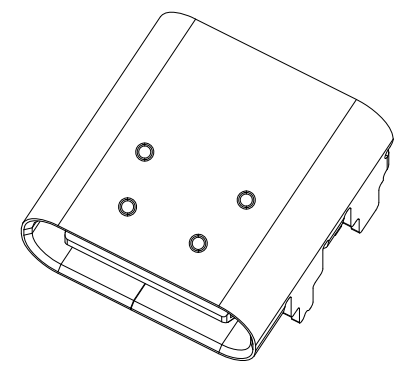
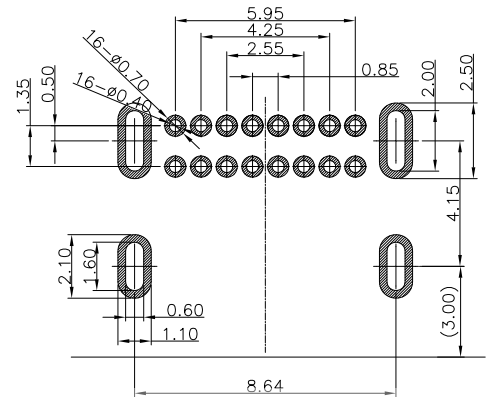
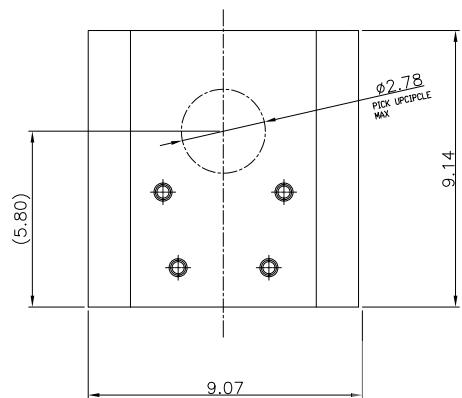
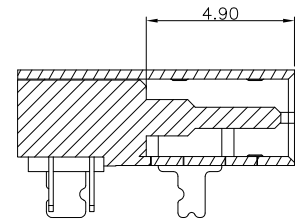
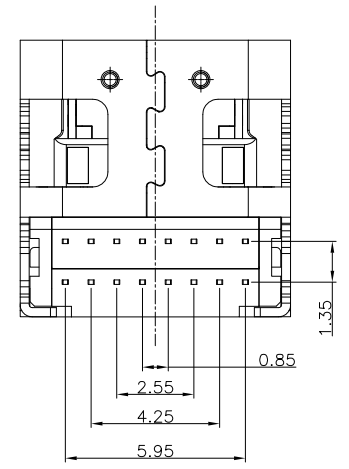
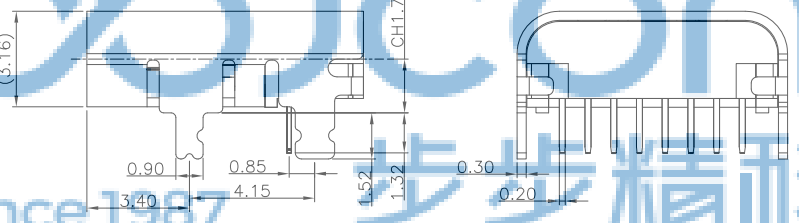
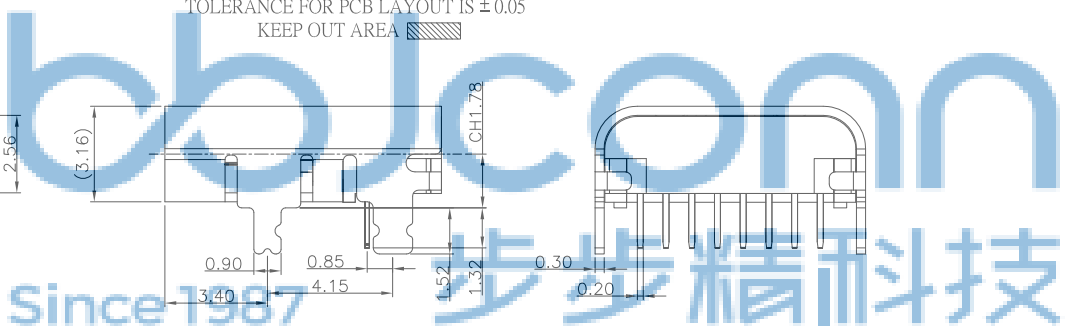
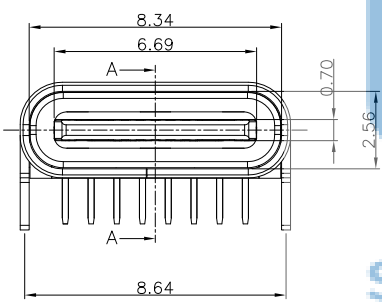


| REV. | DESCRIPTION | NAME | DATE |
|------|-------------|------|------|
| A | NEWS ISSUE | | |



RECOMMEND P.C.B LAYOUT (COMPONENT SIDE)
TOLERANCE FOR PCB LAYOUT IS ± 0.05
KEEP OUT AREA

- NOTES:
- MATERIAL:
 - MOLDING: LCP UL94 V-0
 - CONTACT: COPPER ALLOY.
 - GOLD PLATED Min ON CONTACT AREA, 100u''
 - Min TIN (LEAD FREE) ON SOLDER AREA,
 - SHELL: SUS304-H, T=0.30 \pm 0.03mm
 - 50u'' NICKEL PLATING OVER ALL.
 - MIDDLE SHILD: SUS304-H, T=0.20 \pm 0.03mm
 - MECHANICAL:
 - INSERTION: 5~20N.
 - EXTRACTION: 8~20N AFTER TEST.
 - DURABILITY: 10000 CYCLES
 - ELECTRICAL:
 - CURRENT: 5A FOR VBUS;
 - 1.25A FOR GND PIN.
 - 0.25A FOR OTHER.
 - VOLTAGE: 20 V MAX
 - WITHSTANDING VOLTAGE: 100V AC R. M. S.
 - CONTACT RESISTANCE: 40m Ω MAX.
 - INSULATION RESISTANCE: 100M Ω MIN.
 - ENVIRONMENTAL
 - TEMPERATURE RANGE -35 $^{\circ}$ C ~ +85 $^{\circ}$ C



SECTION A-A



| | | | | | | |
|-----------------------|--------------------|---|--------|------------|------------|----------------------------|
| TOLERANCE UNSPECIFIED | | 深圳市步步精科技有限公司 TITLE: TYPE-C 16P 母座 L=9.14 CH=1.78 板上四脚插 双排DIP 端子脚长1.32 | | | | |
| .0 | ± 0.35 | | | | | |
| .00 | ± 0.25 | DRAWN/ DATE | 设计 TSP | SIZE:A4 | UNIT:MM. | PART. NO: UC.01.11-1W-0011 |
| .000 | ± 0.15 | CHECKED/ DATE | 审核 LYX | SCALE: 1:1 | PROJECTION | REV.: 版本 |
| X. ° | $\pm 2.00^{\circ}$ | APPROVED/ DATE | 核准 LJP | DWG. PATH | 0627-1 | SHEET: 页码 |
| CUSTOMER DRAWING | | | | | | |

A

B

C

D

E

F

A

B

C

D

E

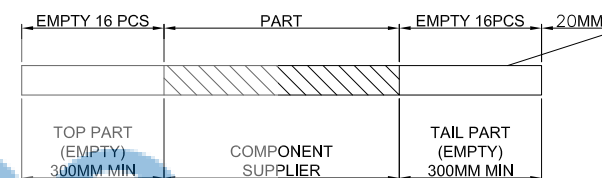
F

出料方向
PULL OUT DIRECTEON

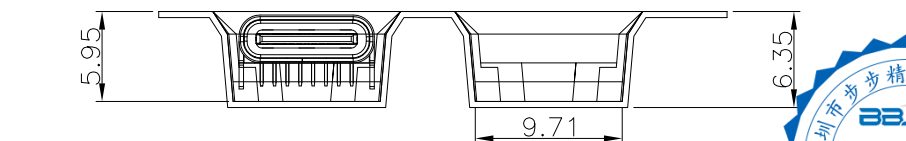
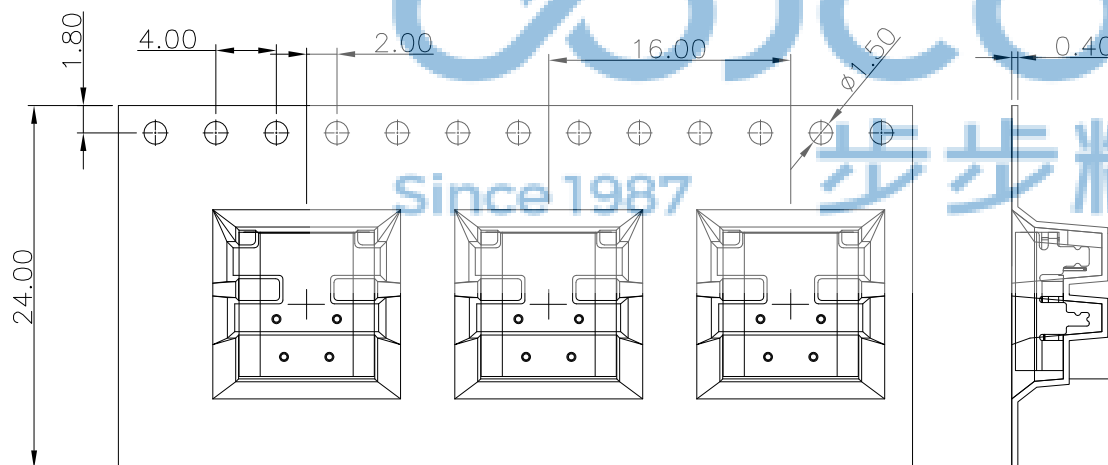
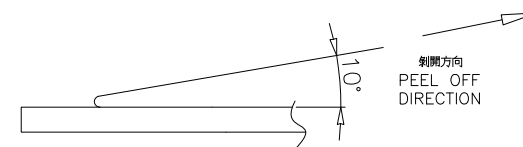
| REV. | DESCRIPTION | NAME | DATE |
|------|-------------|------|------|
| A | NEWS ISSUE | | |

NOTES

1. 帶子引導長度
LEAD TAPE LENGTH
出料方向
PULL OUT DIRECTEON



2. 上帶 剝力力為: 0.1~1.3N(10.2gf~130gf)
PEELING OFF FORCE OF TOP TAPE: 0.1~1.3N(10.2gf~130gf)
出貨運輸過程中一定注意:
THIS REQUIREMENT SHOULD BE APPLIED AT SHIPMENT:
卷帶在運輸過程中不能散開
PEELING OFF SHOULD NOT BE ALLOWED DURING TRANSPORTATION



載帶卷料方向



TOLERANCE UNSPECIFIED

| | |
|------------------|--------|
| .0 | ±0.35 |
| .00 | ±0.25 |
| .000 | ±0.15 |
| X.° | ±2.00° |
| CUSTOMER DRAWING | |

深圳市步步精科技有限公司

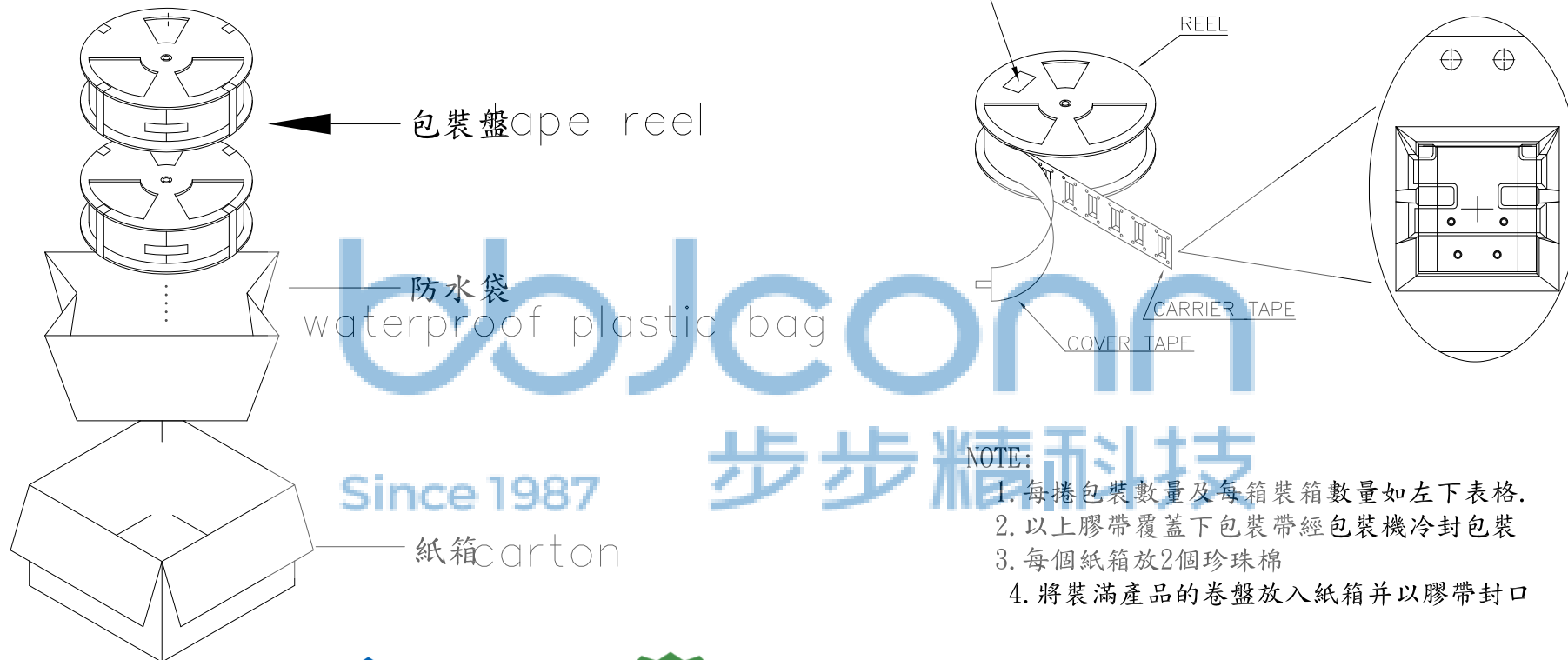
TITLE:
TYPE-C 16P 母座 L=9.14 CH=1.78 板上四脚插 双排DIP 端子脚长1.32

| | | | | |
|-------------------|-----------|------------|------------|------------------------------|
| DRAWN/ DATE | 设计 TSP | SIZE:A4 | UNIT:MM. | PART.NO: UC.01.11-1W-0011 |
| CHECKED/ DATE | 审核 LYX | SCALE: 1:1 | PROJECTION | REV.: 版本 |
| APPROVED/ DATE | 核准 LJP | DWG. PATH | 0627-1 | SHEET: 页码 |

| REV. | DESCRIPTION | NAME | DATE |
|------|-------------|------|------|
| A | NEWS ISSUE | | |

at small positioning hole of the carrier tape side).
標籤黏貼處 (朝捲裝包材的小定位孔一側)

Location of label sticking (label)



NOTE:

1. 每捲包裝數量及每箱裝箱數量如左下表格.
2. 以上膠帶覆蓋下包裝帶經包裝機冷封包裝
3. 每個紙箱放2個珍珠棉
4. 將裝滿產品的卷盤放入紙箱并以膠帶封口



| 包裝容量 (PACKING CAPACITY) | | | 重量 WEIGHT (Kg) | | |
|-------------------------|--------------|------------|----------------|----------|----------|
| PCS/REEL | REELS/CARTON | PCS/CARTON | N.W./PCS | N.W./BOX | G.W./BOX |
| 700 | 10 | 7000 | | | |

| TOLERANCE UNSPECIFIED | | 深圳市步步精科技有限公司 | | | | |
|-----------------------|--------|---|--------|------------|------------|----------------------------|
| .0 | ±0.35 | TITLE: TYPE-C 16P 母座 L=9.14 CH=1.78 板上四脚插 双排DIP 端子脚长1.32 | | | | |
| .00 | ±0.25 | | | | | |
| .000 | ±0.15 | | | | | |
| X. ° | ±2.00° | | | | | |
| CUSTOMER DRAWING | | DRAWN/ DATE | 设计 TSP | SIZE:A4 | UNIT:MM. | PART. NO: UC.01.11-1W-0011 |
| | | CHECKED/ DATE | 审核 LYX | SCALE: 1:1 | PROJECTION | REV.: 版本 |
| | | APPROVED/ DATE | 核准 LJP | DWG. PATH | 0627-1 | SHEET: 页码 |