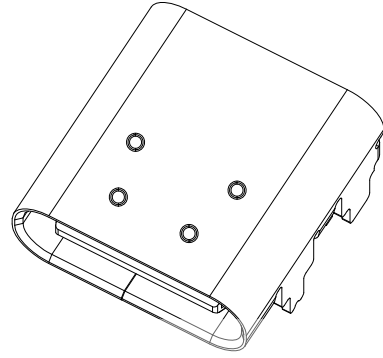
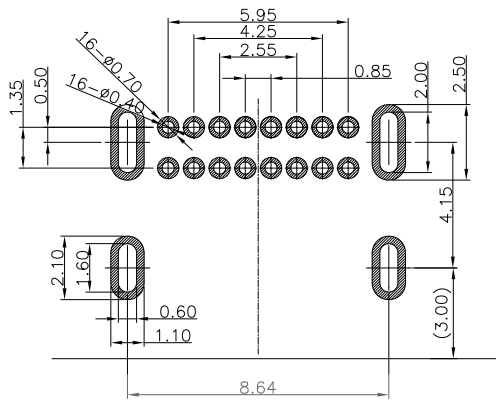
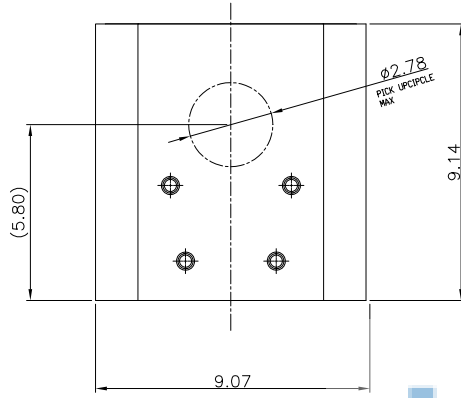
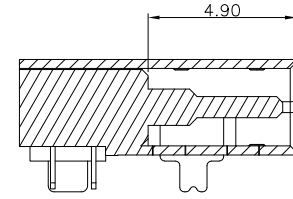
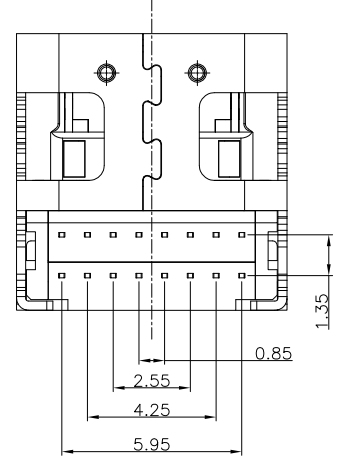
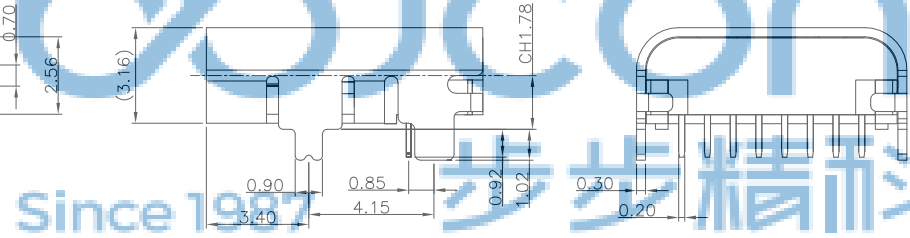
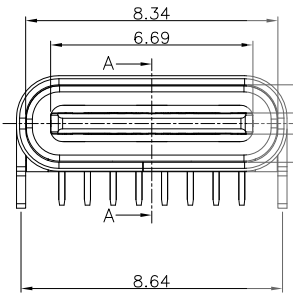


REV.	DESCRIPTION	NAME	DATE
A	NEWS ISSUE		



- NOTES:
- MATERIAL:
 - MOLDING: LCP UL94 V-0
 - CONTACT: COPPER ALLOY.
 - GOLD PLATED Min ON CONTACT AREA, 100u''
 - Min TIN (LEAD FREE) ON SOLDER AREA,
 - SHELL: SUS304-H, T=0.30±0.03mm
 - 50u'' NICKEL PLATING OVER ALL.
 - MIDDLE SHILD: SUS304-H, T=0.20±0.03mm
 - MECHANICAL:
 - INSERTION: 5~20N.
 - EXTRACTION: 8~20N AFTER TEST.
 - DURABILITY: 10000 CYCLES
 - ELECTRICAL:
 - CURRENT: 5A FOR VBUS;
 - 1.25A FOR GND PIN.
 - 0.25A FOR OTHER.
 - VOLTAGE: 20 V MAX
 - WITHSTANDING VOLTAGE: 100V AC R. M. S.
 - CONTACT RESISTANCE: 40mΩ MAX.
 - INSULATION RESISTANCE: 100MΩ MIN.
 - ENVIRONMENTAL
 - TEMPERATURE RANGE -35° C ~ +85° C

RECOMMEND P.C.B LAYOUT (COMPONENT SIDE)
TOLERANCE FOR PCB LAYOUT IS ±0.05
KEEP OUT AREA



SECTION A-A



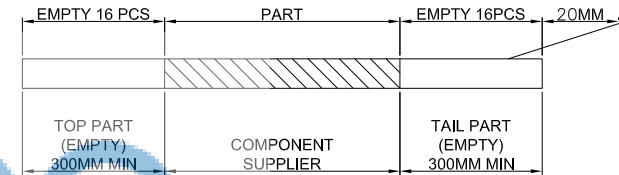
TOLERANCE UNSPECIFIED		深圳市步步精科技有限公司 TITLE: TYPE-C 16P 母座 L=9.14 CH=1.78 板上四脚插 双排DIP 端子脚长0.92				
.0	±0.35					
.00	±0.25	DRAWN/ DATE	设计 TSP	SIZE:A4	UNIT:MM.	PART. NO: UC.01.11-1W-0010
.000	±0.15	CHECKED/ DATE	审核 LYX	SCALE: 1:1	PROJECTION	REV.: 版本
X.°	±2.00°	APPROVED/ DATE	核准 LJP	DWG. PATH	0627-1	SHEET: 页码
CUSTOMER DRAWING						

出料方向
PULL OUT DIRECTEON

REV.	DESCRIPTION	NAME	DATE
A	NEWS ISSUE		

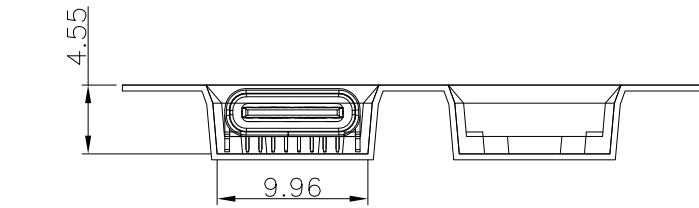
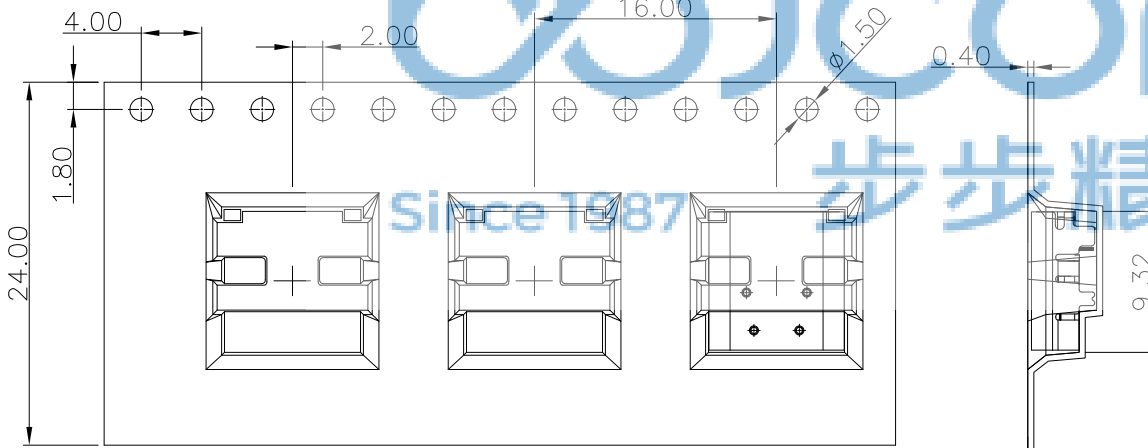
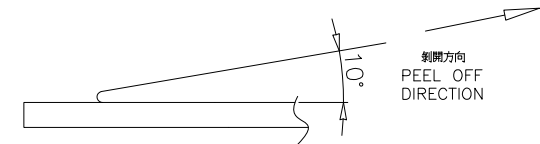
NOTES

- 帶子引導長度
LEAD TAPE LENGTH
出料方向
PULL OUT DIRECTEON



- 上帶剝力力為：0.1~1.3N(10.2gf~130gf)
PEELING OFF FORCE OF TOP TAPE:0.1~1.3N(10.2gf~130gf)

出貨運輸過程中一定注意：
THIS REQUIREMENT SHOULD BE APPLIED AT SHIPMENT：
卷帶在運輸過程中不能散開
PEELING OFF SHOULD NOT BE ALLOWED DURING TRANSPORTATION



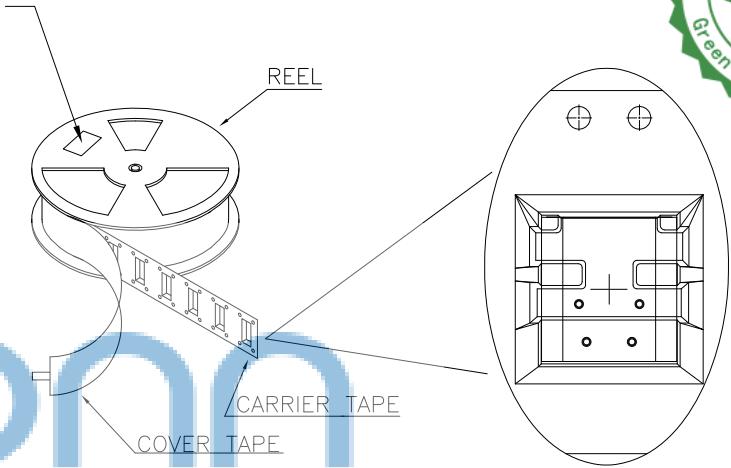
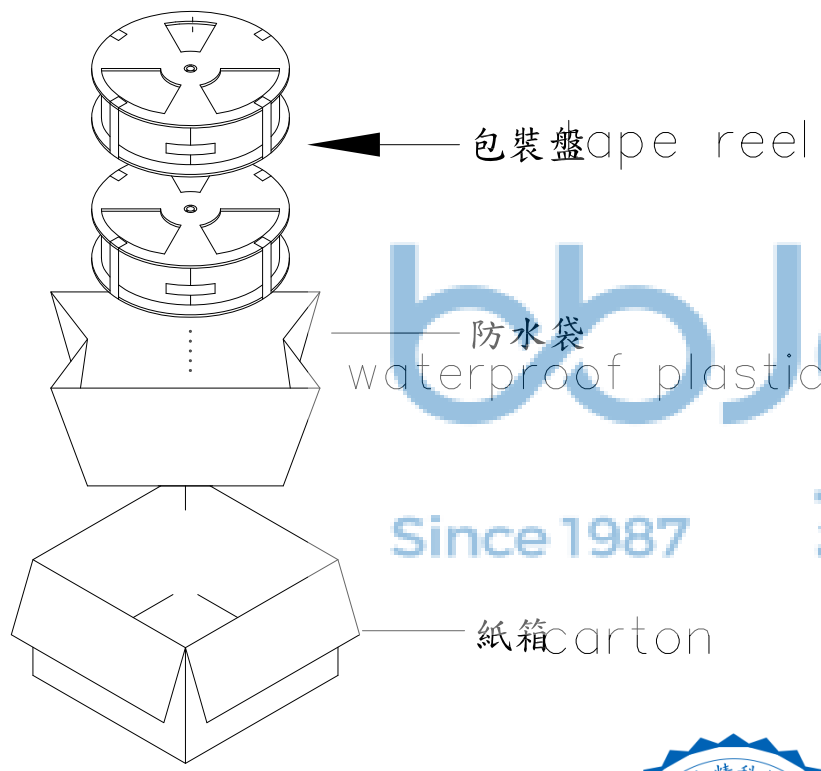
載帶卷料方向



TOLERANCE UNSPECIFIED		深圳市步步精科技有限公司 TITLE: TYPE-C 16P 母座 L=9.14 CH=1.78 板上四脚插 双排DIP 端子脚长0.92				
.0	±0.35	DRAWN/ DATE	设计 TSP	SIZE:A4	UNIT:MM.	PART. NO: UC.01.11-1W-0010
.00	±0.25	CHECKED/ DATE	审核 LYX	SCALE: 1:1	PROJECTION	REV.: 版本
.000	±0.15	APPROVED/ DATE	核准 LJP	DWG. PATH	0627-1	SHEET: 页码
X. °	±2.00°					
CUSTOMER DRAWING						

REV.	DESCRIPTION	NAME	DATE
A	NEWS ISSUE		

at small positioning hole of the carrier tape side).
標籤黏貼處 (朝捲裝包材的小定位孔一側)
Location of label sticking (label)



bbJconn
Since 1987 步步精科技

- NOTE:
1. 每捲包裝數量及每箱裝箱數量如左下表格。
 2. 以上膠帶覆蓋下包裝帶經包裝機冷封包裝
 3. 每個紙箱放2個珍珠棉
 4. 將裝滿產品的卷盤放入紙箱并以膠帶封口



TOLERANCE UNSPECIFIED		深圳市步步精科技有限公司			
.0	±0.35	TITLE:			
.00	±0.25	TYPE-C 16P 母座 L=9.14 CH=1.78 板上四脚插 双排DIP 端子脚长0.92			
.000	±0.15	DRAWN/ DATE	设计 TSP	SIZE:A4	UNIT:MM.
X. °	±2.00°	CHECKED/ DATE	审核 LYX	PART. NO:	UC.01.11-1W-0010
CUSTOMER DRAWING		APPROVED/ DATE	核准 LJP	DWG. PATH	PROJECTION
					REV.: 版本
					SHEET: 页码

包裝容量 (PACKING CAPACITY)			重量 WEIGHT (Kg)		
PCS/REEL	REELS/CARTON	PCS/CARTON	N.W./PCS	N.W./BOX	G.W./BOX
1000	10	10000			