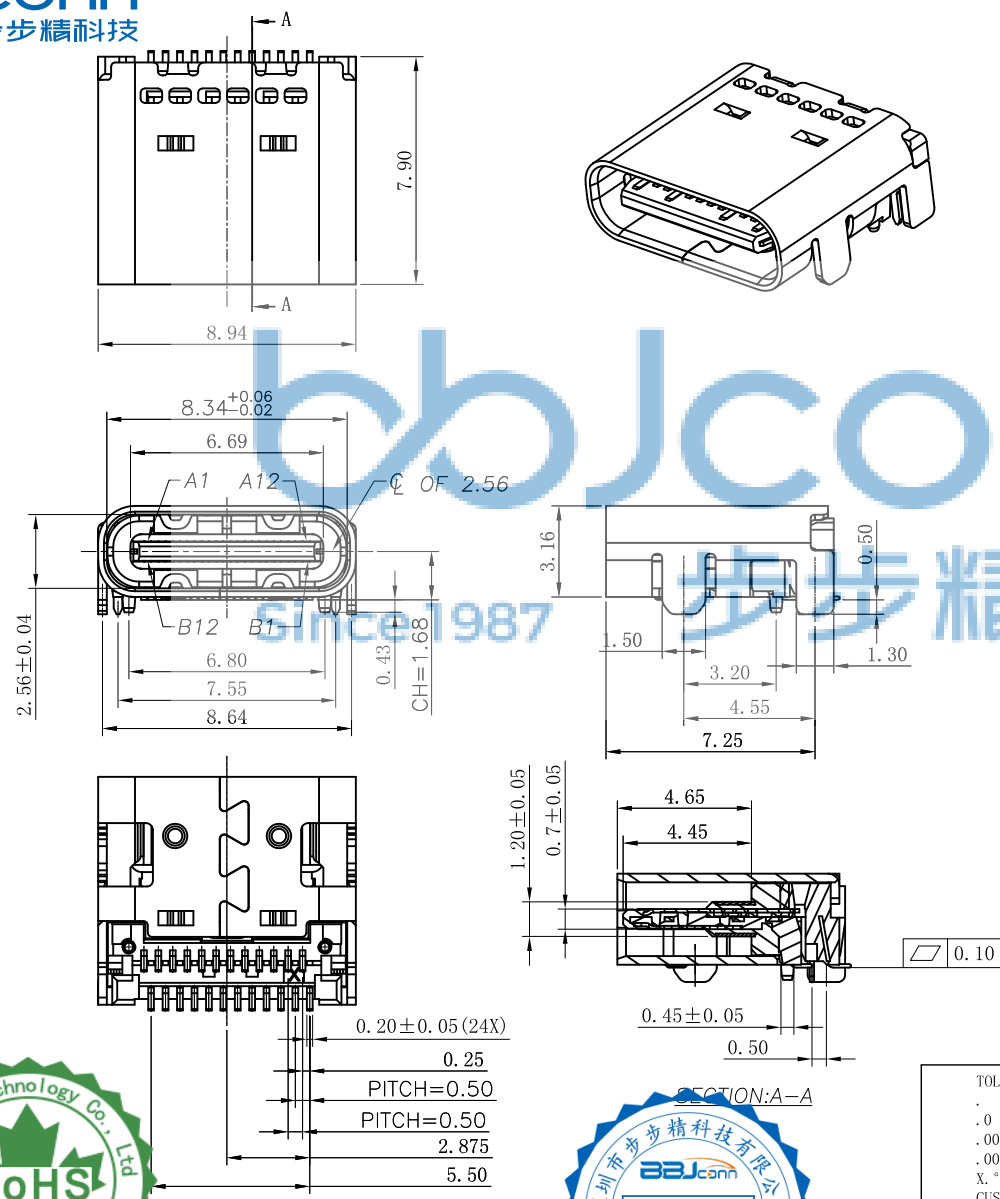


REV.	DESCRIPTION	NAME	DATE
A	NEWS ISSUE		



**NOTE:**

- MATERIAL SPECIFICATION:**
  - HOUSING: HIGH TEMPERATURE RESISTANT PLASTIC, UL94 V-0.
  - CONTACTS: COPPER ALLOY
  - MID PLATE: STAINLESS STEEL
  - FRONT SHELL: STAINLESS STEEL
  - EMI PLATE: STAINLESS STEEL
- PLATING SPECIFICATION:**
  - CONTACTS:**
    - Ni 50u" MIN. UNDER PLATED OVER ALL.
    - Au PLATED ON THE FUNCTIONAL AREA OF CONTACT.
    - (GOLD FLASH PLATING ON CONTACT AREA)
  - FRONT SHELL:**
    - Ni 30u" MIN. UNDER PLATED OVER ALL.
  - MID PLATE:**
    - Ni 30u" MIN. UNDER PLATED OVER ALL.
    - Sn 80u" MIN. PLATED OVER ALL
  - EMI PLATE:**
    - CLEAR ONLY
- MECHANICAL PERFORMANCE,**
  - INSERTION FORCE: 0.5~2.0kgf.
  - REMOVAL FORCE: 0.8kgf~2.0kgf.
  - DURABILITY: 10000 CYCLES.
- ELECTRICAL PERFORMANCE,**
  - CURRENT RATING: 5.0A  
VOLTAGE RATING: 5.0V
  - LLCR:
    - VBUS & GND PINS AND OTHER PINS: 40mΩ/PIN MAX.
    - LLCR MAX. CHANGE OF ALL PINS: 10mΩ.
  - INSULATION RESISTANCE: 100MΩ MIN
  - DIELECTRIC WITHSTAND VOLTAGE, AC 100V FOR 1 MINUTE.
- ENVIRONMENTAL PERFORMANCE:**
  - OPERATING TEMPERATURE: -25℃~+85℃.
- IR REFLOW:**
  - THE PEAK TEMPERATURE ON THE BOARD SHALL BE MAINTAINED FOR 10 SECONDS AT 260°C.
- TID NUMBER: 2780

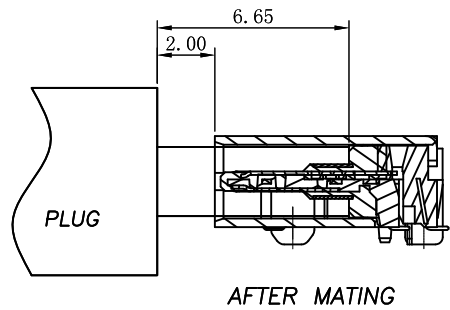


TOLERANCE UNSPECIFIED	
.0	±0.35
.00	±0.25
.000	±0.15
X. °	±2.00°
CUSTOMER DRAWING	

**深圳市步步精科技有限公司**  
TITLE: TYPE-C 24P 母座 L=7.90 CH=1.68 板上四脚插 带柱  
脚长0.5端子双排SMT

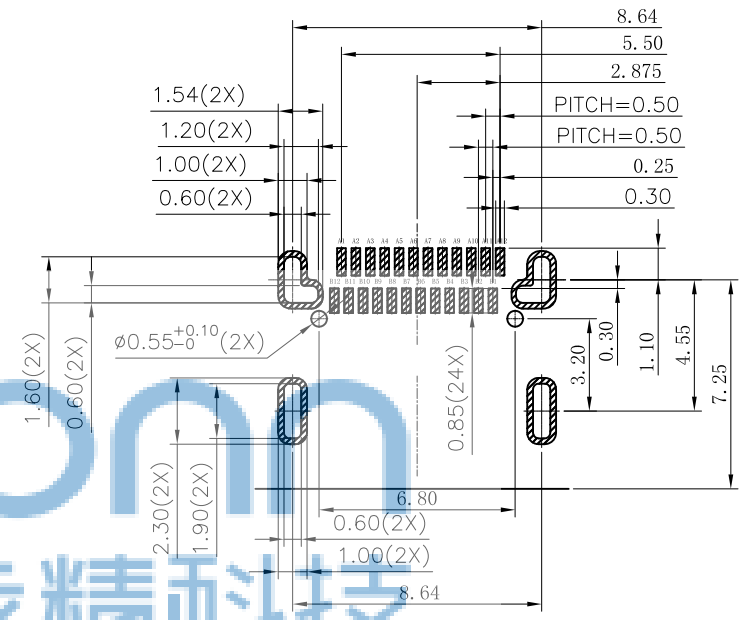
DRAWN/ DATE	设计 LYX	SIZE: A4	UNIT: MM.	PART. NO:	UC.01.54-12-0003
CHECKED/ DATE	HMY	SCALE: 1:1	PROJECTION		REV.: A0
APPROVED/ DATE	LJP	DWG. PATH		0049-1	SHEET: 页码

REV.	DESCRIPTION	NAME	DATE
A	NEWS ISSUE		



USB TYPE-C PIN ASSIGNMENTS

PIN NUMBER	SIGNAL NAME	PIN NUMBER	SIGNAL NAME
A1	GND	B12	GND
A2	TXp1	B11	RXp1
A3	TXn1	B10	RXn1
A4	VBUS	B9	VBUS
A5	CC1	B8	SBU2
A6	Dp1	B7	Dn2
A7	Dn1	B6	Dp2
A8	SBU1	B5	CC2
A9	VBUS	B4	VBUS
A10	RXn2	B3	TXn2
A11	RXp2	B2	TXp2
A12	GND	B1	GND

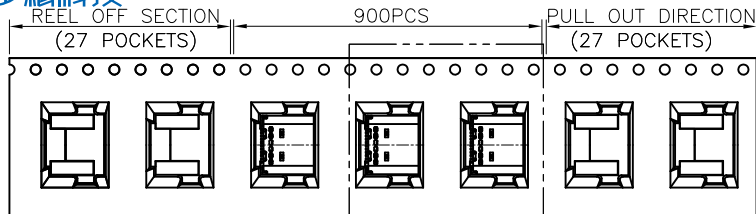


RECOMMENDED PCB LAYOUT(TOP VIEW)  
THICKNESS 0.60MM;DEFAULT TOLERANCE:?.05

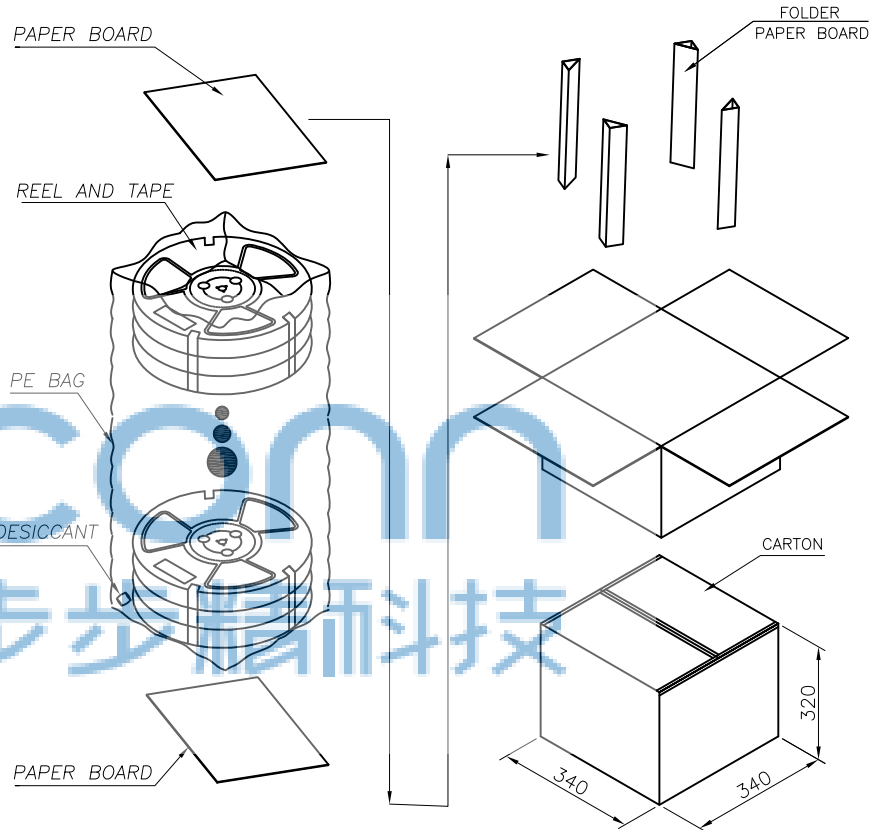
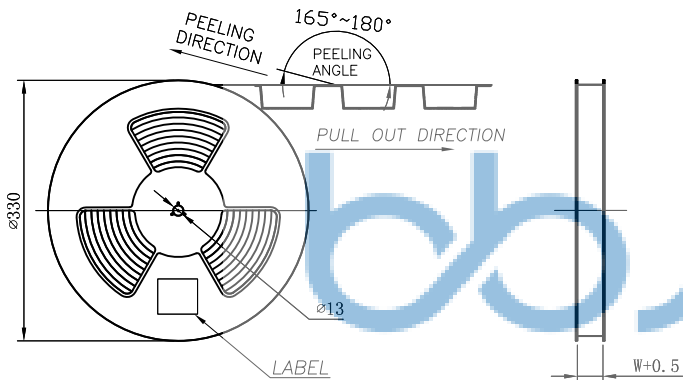


TOLERANCE UNSPECIFIED		深圳市步步精科技有限公司 TITLE: TYPE-C 24P 母座 L=7.90 CH=1.68 板上四脚插 带柱 脚长0.5端子双排SMT	
.0	±0.35		
.00	±0.25	DRAWN/ DATE: 设计 LYX SIZE:A4 UNIT:MM. PART. NO: UC.01.54-12-0003	
.000	±0.15	CHECKED/ DATE: HMY SCALE: 1:1 PROJECTION:  REV.: A0	
X.°	±2.00°	APPROVED/ DATE: LJP DWG. PATH: 0049-1 SHEET: 页码	
CUSTOMER DRAWING			

REV.	DESCRIPTION	NAME	DATE
A	NEWS ISSUE		

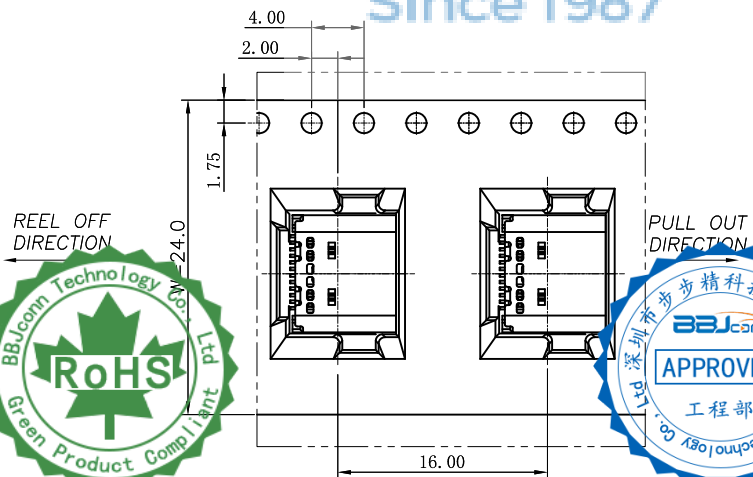


SEE DETAIL X



Since 1987

步步精科技



	REEL	CARTON
CONNECTOR (PCS)	900	9000

TOLERANCE UNSPECIFIED	
.0	±0.35
.00	±0.25
.000	±0.15
X. °	±2.00°
CUSTOMER DRAWING	

**bbJconn** 深圳市步步精科技有限公司

TITLE: TYPE-C 24P 母座 L=7.90 CH=1.68 板上四脚插 带柱  
脚长0.5端子双排SMT

DRAWN/ DATE	设计 LYX	SIZE:A4	UNIT:MM.	PART. NO:	UC.01.54-12-0003
CHECKED/ DATE	HMY	SCALE: 1:1	PROJECTION		REV.: A0
APPROVED/ DATE	LJP	DWG. PATH	0049-1	SHEET: 页码	