

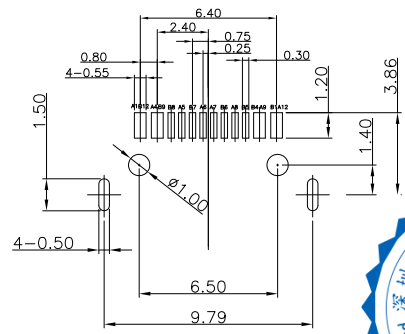
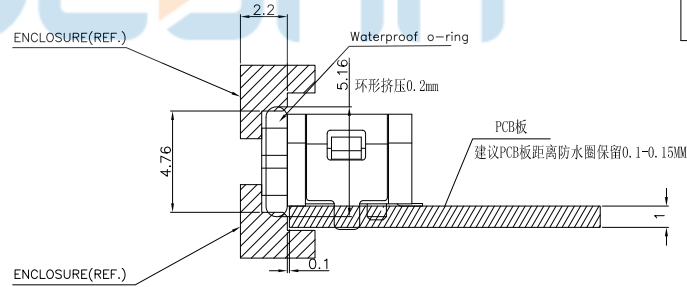
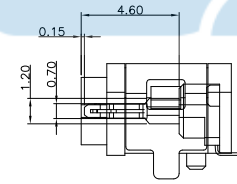
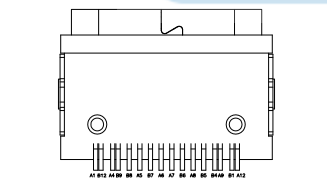
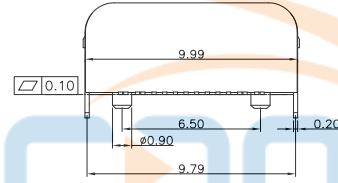
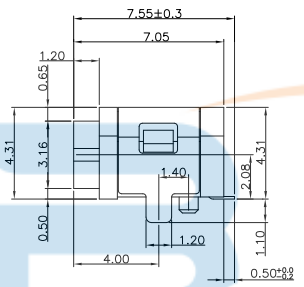
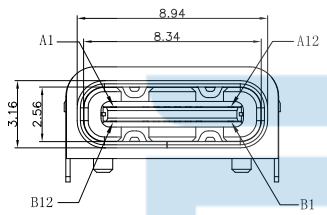
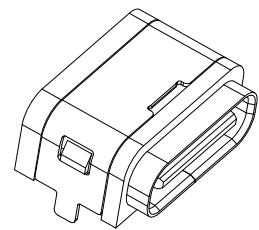
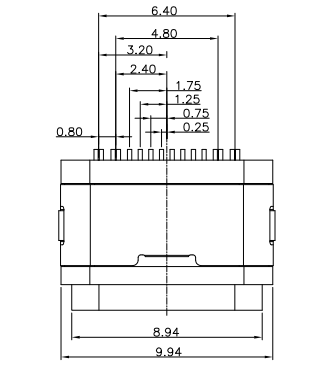
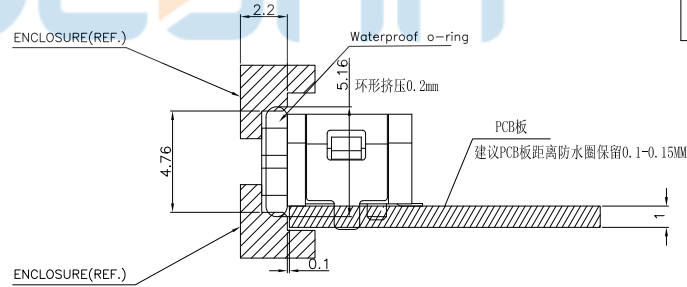
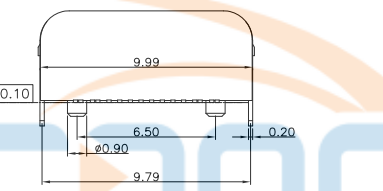
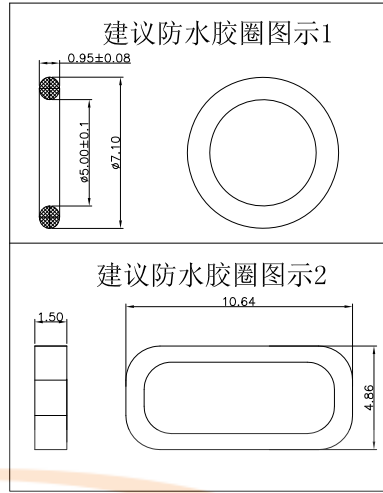


REV.	DESCRIPTION	NAME	DATE
A	NEWS ISSUE		

NOTES:
 SPECIFICATION:
 1. CURRENT RATING: 5.0A MAX
 2. VOLTAGE: 100 VAC
 3. TEMPERATURE RANGE: -30 °C ~ 85 °C
 4. CONTACT RESISTANCE: 40 MILLIONHM MAX
 5. INSULATION RESISTANCE: 100 MEGOHMS MIN.
 6. LNSERTION FORCE : 5N~20N
 7. UNMATING FORCE: 8N~20N
 8. DURABILITY: 10,000 CYCLES
 9. WATER PROOFNESS:THISPRODUCTIS BASED ON IP65.

A1	GND	B12	GND
A4	VBUS	B9	VBUS
A5	CC1	B8	SBU2
A6	DP1	B7	DN2
A7	DN1	B6	DP2
A8	SBU1	B5	CC2
A9	VBUS	B4	VBUS
A12	GND	B1	GND
PIN	SIGNAL NAME	PIN	SIGNAL NAME

电流5A, 端子C1814, 主体塑胶PA9T, 外塑胶LCP130I, 金手指镀金3U'', 锡脚1U'', 外壳304, 卡锁301, 寿命10000次.



TOLERANCE UNSPECIFIED

.0	±0.35
.00	±0.25
.000	±0.15
X. °	±2.00°

CUSTOMER DRAWING

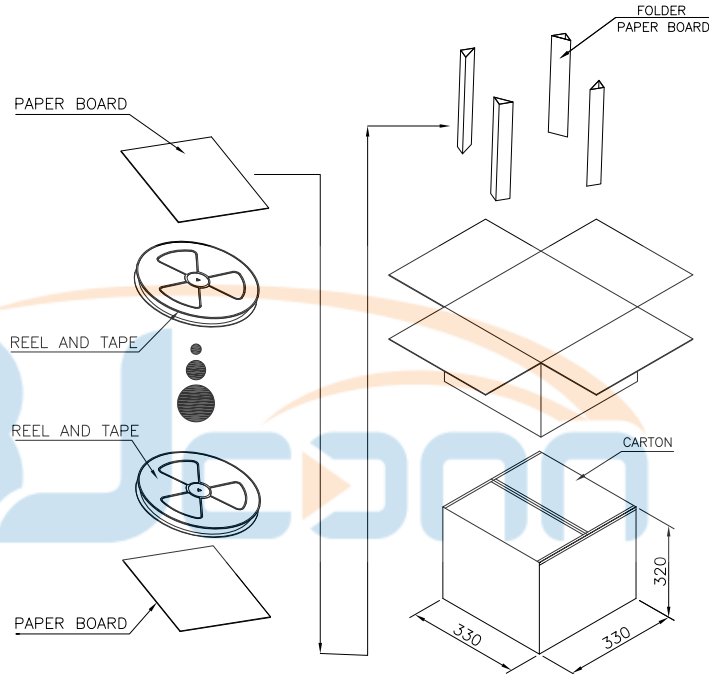
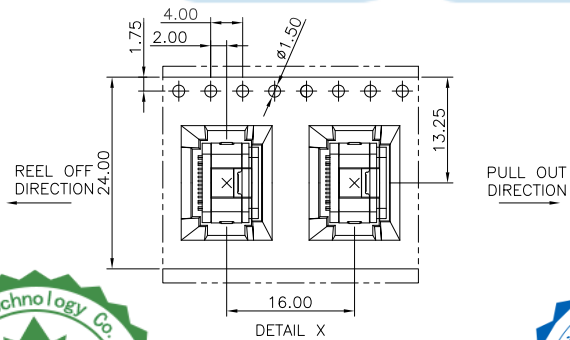
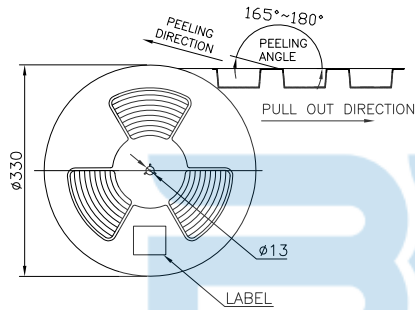
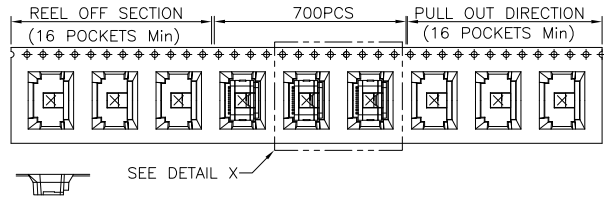
深圳市步步精科技有限公司

TITLE: TYPE-C 16P 防水母座 板上两脚插 带柱 L=7.05 CH=2.08 IPX5 O形防水圈

DRAWN/ DATE	设计 LYX	SIZE:A4	UNIT:MM.	PART. NO:	UC.01.51-1W-0016
CHECKED/ DATE	审核 HMY	SCALE: 1:1	PROJECTION	REV.:	A0
APPROVED/ DATE	核准 LJP	DWG. PATH	0541-1	SHEET:	页码



REV.	DESCRIPTION	NAME	DATE
A	NEWS ISSUE		



	REEL	CARTON
CONNECTOR (PCS)	700	7000



TOLERANCE UNSPECIFIED		深圳市步步精科技有限公司 TITLE: TYPE-C 16P 防水母座 板上两脚插 带柱 L=7.05 CH=2.08 IPX5 0形防水圈 CUSTOMER DRAWING			
.0	±0.35	SIZE:A4	UNIT:MM.	PART. NO: UC.01.51-1W-0016	
.00	±0.25	CHECKED/ DATE	SCALE: 1:1	PROJECTION	REV.: A0
.000	±0.15	APPROVED/ DATE	DWG. PATH	0541-1	SHEET: 页码
X. °	±2.00°				