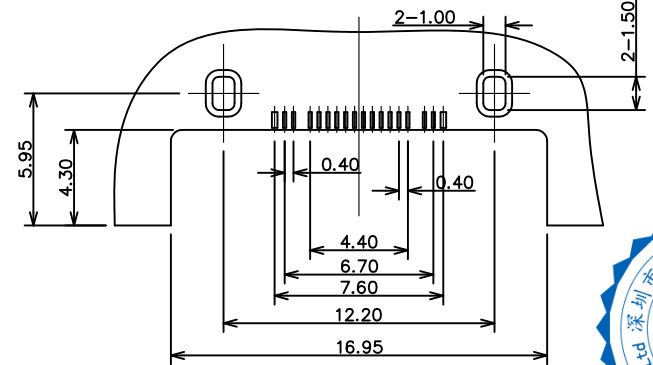
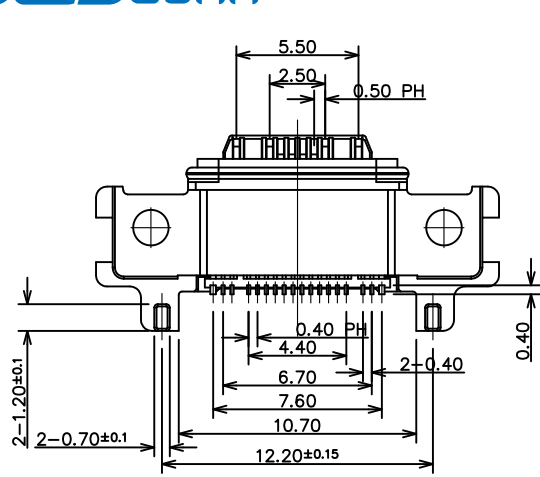




REV.	DESCRIPTION	NAME	DATE
A	NEWS ISSUE		



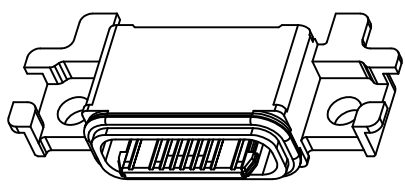
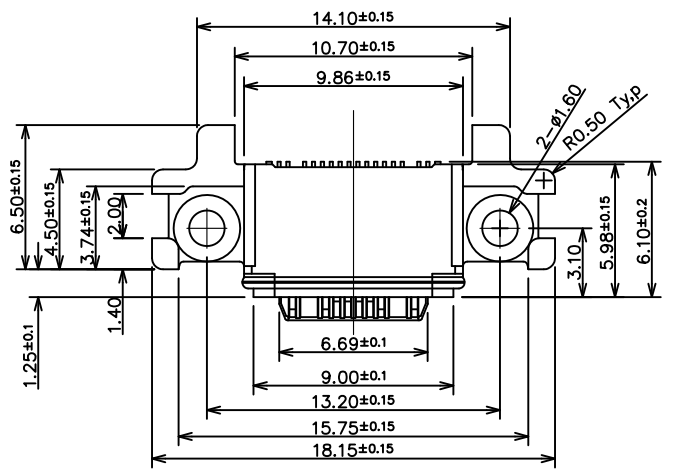
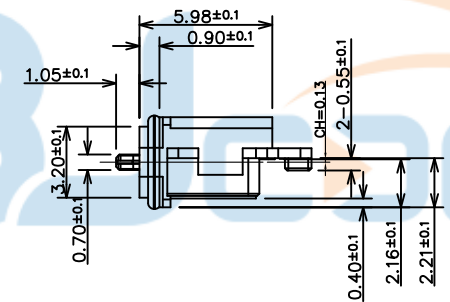
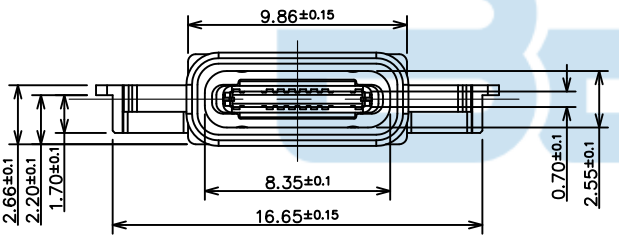
RECOMMENDED P.C.B. LAYOUT
TOLERANCE UNSPECIFIED ±0.05mm



NOTES:

SPECIFICATION:

- CURRENT RATING: 3.0A MAX
- VOLTAGE: 100 VAC
- TEMPERATURE RANGE: -30 ° C ~ 85 ° C
- CONTACT RESISTANCE: 40 MILLIONHM MAX
- INSULATION RESISTANCE: 100 MEGOHMS MIN.
- INSERTION FORCE : 5N~20N
- UNMATING FORCE: 8N~20N
- DURABILITY: 10,000 CYCLES



NO.	DESCRIPTION	MATERIAL	REMARKS	QTY
6	LIM	SILICON RUBBER		1PCS
5	SHELL	STAINLESS STEEL	NI Plated	1PCS
4	MD	HIGH TEMPERATURE PLASTIC	BLACK	1PCS
3	CONTACT	COPPER ALLOY	Au/Ni Plated	1SET
2	CONTACT	COPPER ALLOY	Au/Ni Plated	1SET
1	HOUSING	HIGH TEMPERATURE PLASTIC	BLACK	1PCS

PIN	SIGNAL NAME	PIN	SIGNAL NAME
A1	GND	B12	GND
A4	VBUS	B9	VBUS
A5	CC1	B8	SBU2
A6	DP1	B7	DN2
A7	DN1	B6	DP2
A8	SBU1	B5	CC2
A9	VBUS	B4	VBUS
A12	GND	B1	GND

TOLERANCE
X.X ±0.30 X.° ± 2°
.XX ±0.20 .X° ± 1°
.XXX ±0.10 .XX° ±0.5°

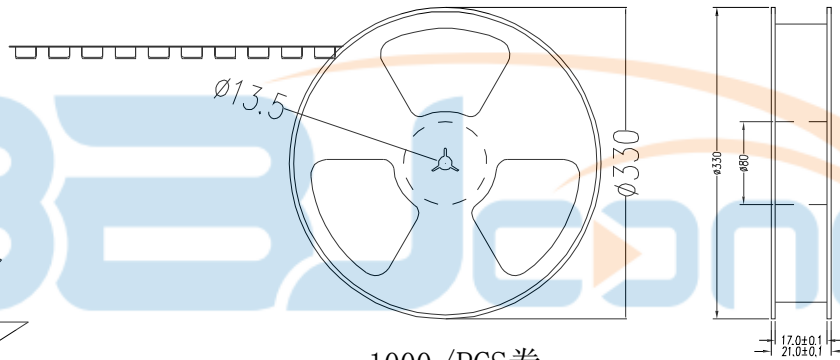
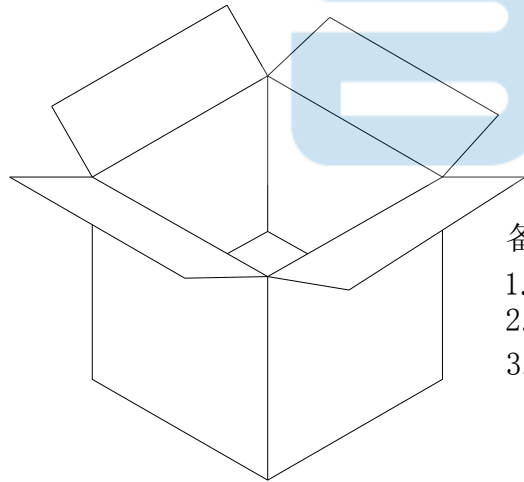
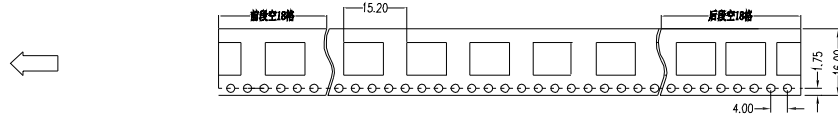
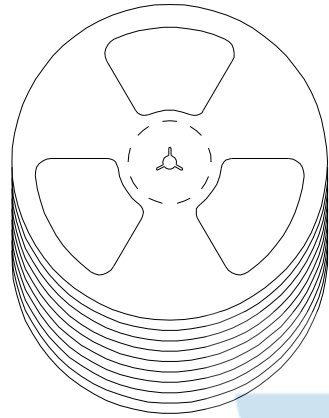
BBJconn 深圳市步步精科技有限公司

TITLE: TYPE-C 16P 防水母座 L=6.10 CH=0.13 沉板2.16 舌片外漏1.05 带锁孔 端子SMT IP67 (07-A320)

DRAWN/ DATE	设计 TSP	SIZE: A4	UNIT: MM.	PART. NO: UC.01.31-1W-0006
CHECKED/ DATE	审核 LYX	SCALE: 1:1	PROJECTION	REV.: 版本
APPROVED/ DATE	核准 LJP	DWG. PATH	0523-1	SHEET: 页码



REV.	DESCRIPTION	NAME	DATE
A	NEWS ISSUE		



1000 / PCS 卷

备注:

1. 包装数量: 1000 / PCS / 卷, 10卷 / 箱或15卷 / 箱。
2. 包装袋长度: 每卷前后各空10-20个空格, 中间包装。
3. 材质:
 - 载体: 聚丙烯 (PS), 阻抗 $10^{6-9} \Omega$
 - 上带: 聚乙烯 (PET), 阻抗 $10^{6-11} \Omega$
 - 卷盘: 聚苯乙烯。

纸箱规格: 345*345*23MM
 纸箱规格: 345*345*35MM



TOLERANCE UNSPECIFIED		深圳市步步精科技有限公司 TITLE: TYPE-C 16P 防水母座 L=6.10 CH=0.13 沉板2.16 舌片外漏1.05 带锁孔 端子SMT IP67 (07-A320)				
.0	±0.35					
.00	±0.25	DRAWN/ DATE	设计 TSP	SIZE: A4	UNIT: MM.	PART. NO: UC.01.31-1W-0006
.000	±0.15	CHECKED/ DATE	审核 LYX	SCALE: 1:1	PROJECTION	REV.: 版本
X. °	±2.00°	APPROVED/ DATE	核准 LJP	DWG. PATH	0523-1	SHEET: 页码
CUSTOMER DRAWING						