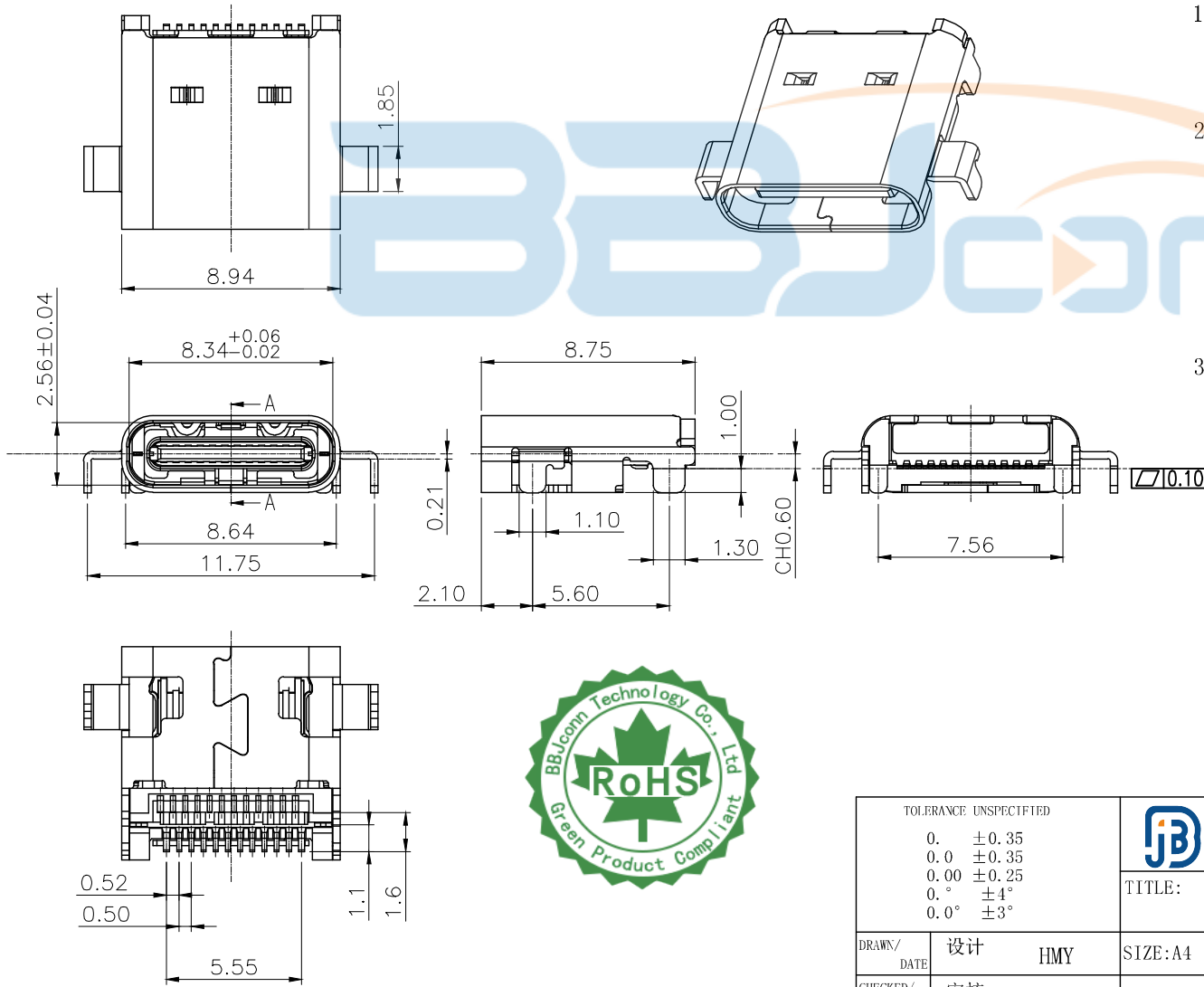


REV.	DESCRIPTION	NAME	DATE
A	NEWS ISSUE		

NOTES:

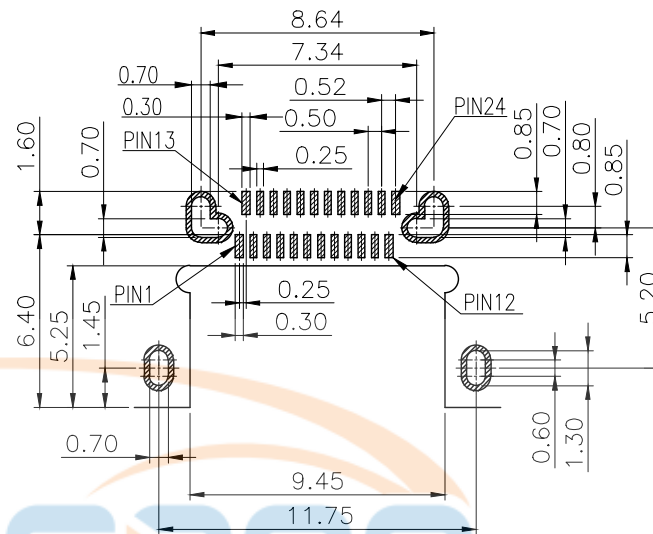
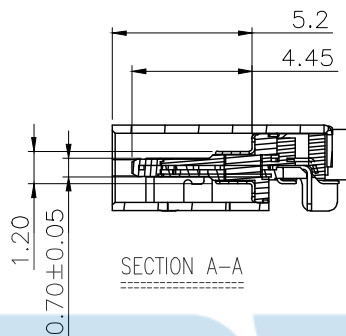
1. MECHANICAL PERFORMANCE,
 - 1-1. INSERTION FORCE: 5N~20N.
 - 1-2. REMOVAL FORCE: 5N~20N.
 - 1-3. DURABILITY: 10000 CYCLES.
2. ELECTRICAL PERFORMANCE,
 - 2-1. CURRENT RATING: 3.0A
VOLTAGE RATING: 5.0V
 - 2-2. LLCR: VBUS & GND PINS AND OTHER PINS: 40mΩ /PIN MAX. SHIELD: 50mΩ /MAX.
 - 2-3. INSULATION RESISTANCE: 100MΩ MIN
 - 2-4. DIELECTRIC WITHSTAND VOLTAGE, AC 100V FOR 1 MINUTE.
3. ENVIRONMENTAL PERFORMANCE:
OPERATING TEMPERATURE: -25° C~+85° C.



TOLERANCE UNSPECIFIED		深圳市步步精科技有限公司 TITLE: TYPE-C 24P沉板1.0SMT双贴母座短体L=8.75 CH0.60		
0.	±0.35			
0.0	±0.35	DRAWN/ DATE: 设计 HMY CHECKED/ DATE: 审核 LYX APPROVED/ DATE: 核准 LJP		
0.00	±0.25			
0.°	±4°	SIZE: A4	UNIT: MM.	PART. NO: UC. 01-32-1K-0001
0.0°	±3°	SCALE: 1:1	PROJECTION	REV.: 版本
		DWG. PATH	0400-1	SHEET: 页码



REV.	DESCRIPTION	NAME	DATE
A	NEWS ISSUE		



RECOMMENDED PCB LAYOUT



USB TYPE-C PIN ASSIGNMENTS

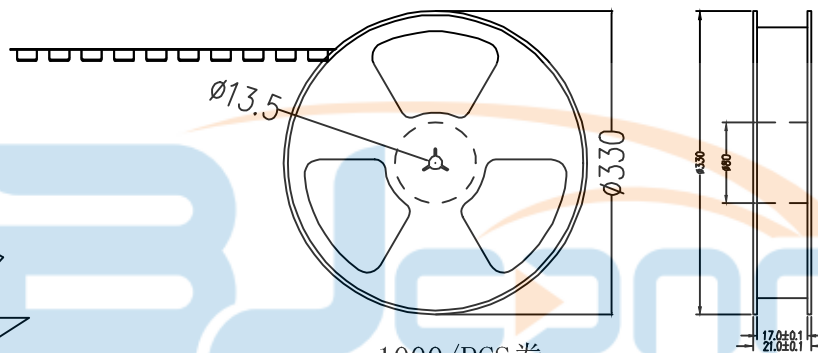
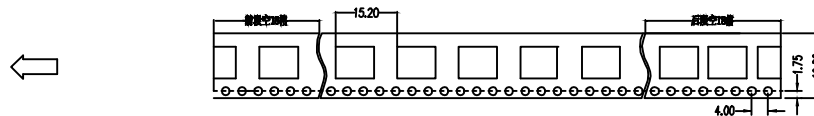
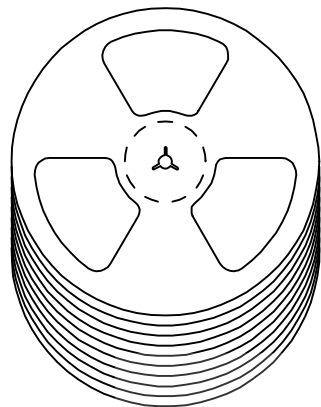
PIN NUMBER	SIGNAL NAME	PIN NUMBER	SIGNAL NAME
A1	GND	B12	GND
A2	SSTXp1	B11	SSRXp1
A3	SSTXn1	B10	SSRXn1
A4	VBUS	B9	VBUS
A5	CC1	B8	SBU2
A6	Dp1	B7	Dn2
A7	Dn1	B6	Dp2
A8	SBU1	B5	CC2
A9	VBUS	B4	VBUS
A10	SSRXn2	B3	SSTXn2
A11	SSRXp2	B2	SSTXp2
A12	GND	B1	GND



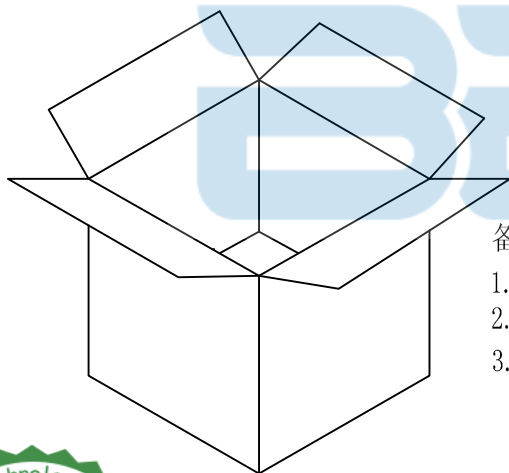
TOLERANCE UNSPECIFIED		深圳市步步精科技有限公司 TITLE: TYPE-C 24P沉板1.0SMT双贴母座短体L=8.75 CH0.60	
0. ±0.35	0.0 ±0.35	SIZE:A4	UNIT:MM. PART. NO: UC. 01-32-1K-0001
0.00 ±0.25	0.° ±4°	CHECKED/ DATE	SCALE: 1:1 PROJECTION
0.0° ±3°	0.0° ±3°	APPROVED/ DATE	REV.: 版本
		核准 LJP	DWG. PATH 0400-1 SHEET: 页码



REV.	DESCRIPTION	NAME	DATE
A	NEWS ISSUE		



1000/PCS卷



备注:

1. 包装数量: 1000/PCS/卷, 10卷/箱或15卷/箱。
2. 包装袋长度: 每盘前后各空10-20个空格, 中间包装。
3. 材质:
 载体: 聚丙烯 (PS), 阻抗10 Ω 6-9
 上带: 聚乙烯 (PET), 阻抗10 Ω 6-11
 卷盘: 聚苯乙烯。

纸箱规格: 345*345*23MM
 纸箱规格: 345*345*35MM



TOLERANCE UNSPECIFIED		深圳市步步精科技有限公司	
0.	±0.35	TITLE: TYPE-C 24P沉板1.0SMT双贴母座短体L=8.75 CH0.60	
0.0	±0.35		
0.00	±0.25		
0.°	±4°		
0.0°	±3°		
DRAWN/ DATE	设计 HMY	SIZE: A4	UNIT: MM. PART. NO: UC. 01-32-1K-0001
CHECKED/ DATE	审核 LYX	SCALE: 1:1	PROJECTION REV.: 版本
APPROVED/ DATE	核准 LJP	DWG. PATH	0400-1 SHEET: 页码