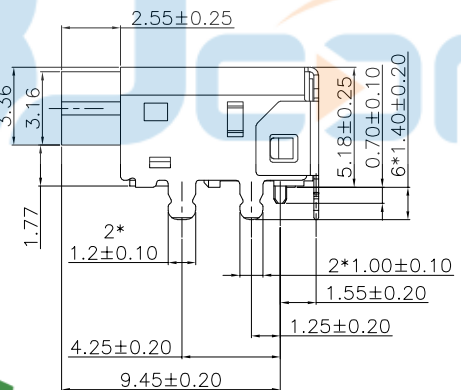
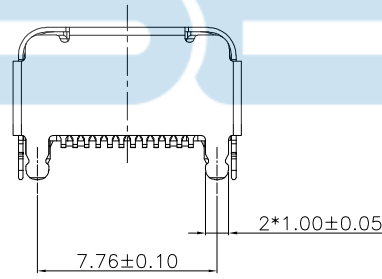
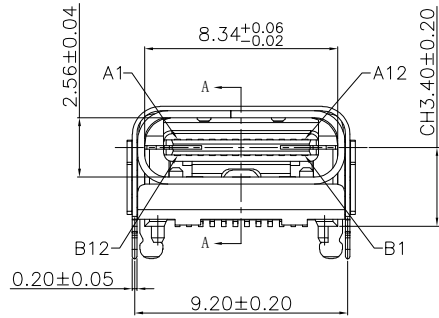
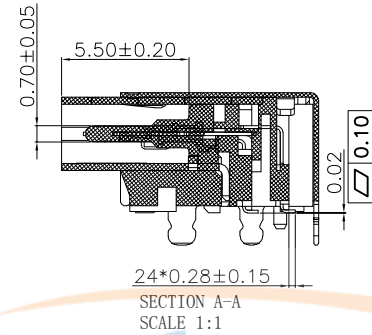
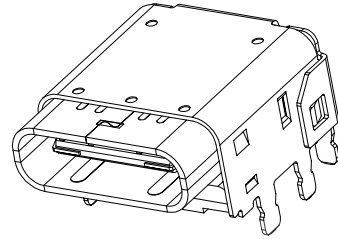
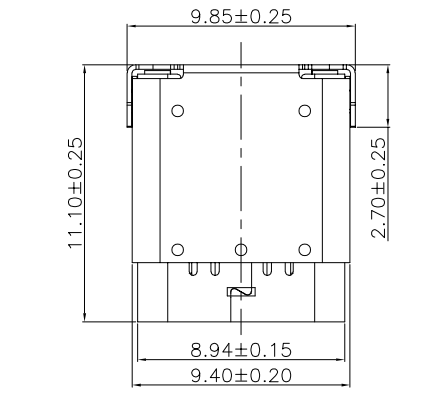
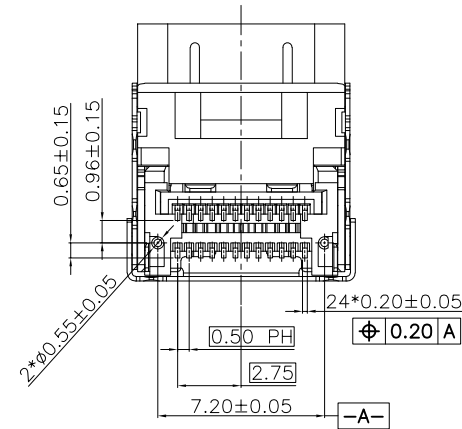




REV.	DESCRIPTION	NAME	DATE
A	NEWS ISSUE		



- Specifications:
- Electrical performance:
 - Contact resistance: 40mΩ max for initial. 10mΩ change after test. measure at 20mv, 100mA.
 - Dielectric withstanding voltage: AC 100V(rms).
 - Insulation resistance: 100MΩ min.
 - Contact current rating: 3A for Vbus pin; 1.25A for Vconn and GND pin; 0.25A for all the other pin.
 - Voltage: 5 Vac (rms).
 - mechanical performance:
 - Mating force: 5~20N
 - Unmating force: 8~20N Initial test, 6~20N After test
 - Durability: 10,000 cycles.
 - Environmental performance:
 - Temperature range:
 - Operating temperature: -25'to+85'.
 - Storage temperature: -20'to+60'.
 - Material:
 - Housing: LCP Black, UL94-V0.
 - Contact: C7025, T=0.12mm
 - Mid-plate: SUS301, T=0.15mm
 - Shell-in: SUS304 T=0.30mm
 - Shell-out: SUS301 T=0.20mm
 - Plating specification:
 - Contact: Au(see table) plated on contact area
 - Matte Tin plated 100u"min on solder area; Nickel 50u"min underplating over all.
 - Shell-out: Nickel 30u"min plating over all.



PIN	SIGNAL NAME	PIN	SIGNAL NAME
A1	GND	B12	GND
A2	SSTXP1	B11	SSRXP1
A3	SSTXN1	B10	SSRXN1
A4	VBUS	B9	VBUS
A5	CC1	B8	SBU2
A6	DP1	B7	DN2
A7	DN1	B6	DP2
A8	SBU1	B5	CC2
A9	VBUS	B4	VBUS
A10	SSRXN2	B3	SSTXN2
A11	SSRXP2	B2	SSTXP2
A12	GND	B1	GND

TOLERANCE UNSPECIFIED	
.0	±0.30
.00	±0.25
.000	±0.15
X.°	±2.00°

CUSTOMER DRAWING

DRAWN/ DATE	设计	HMY	SIZE: A4	UNIT: MM.	PART. NO: UC.01.52-1W-0007
CHECKED/ DATE	审核	LYX	SCALE: 1:1	PROJECTION	REV.: 版本
APPROVED/ DATE	核准	LJP	DWG. PATH	0481-1	SHEET: 页码

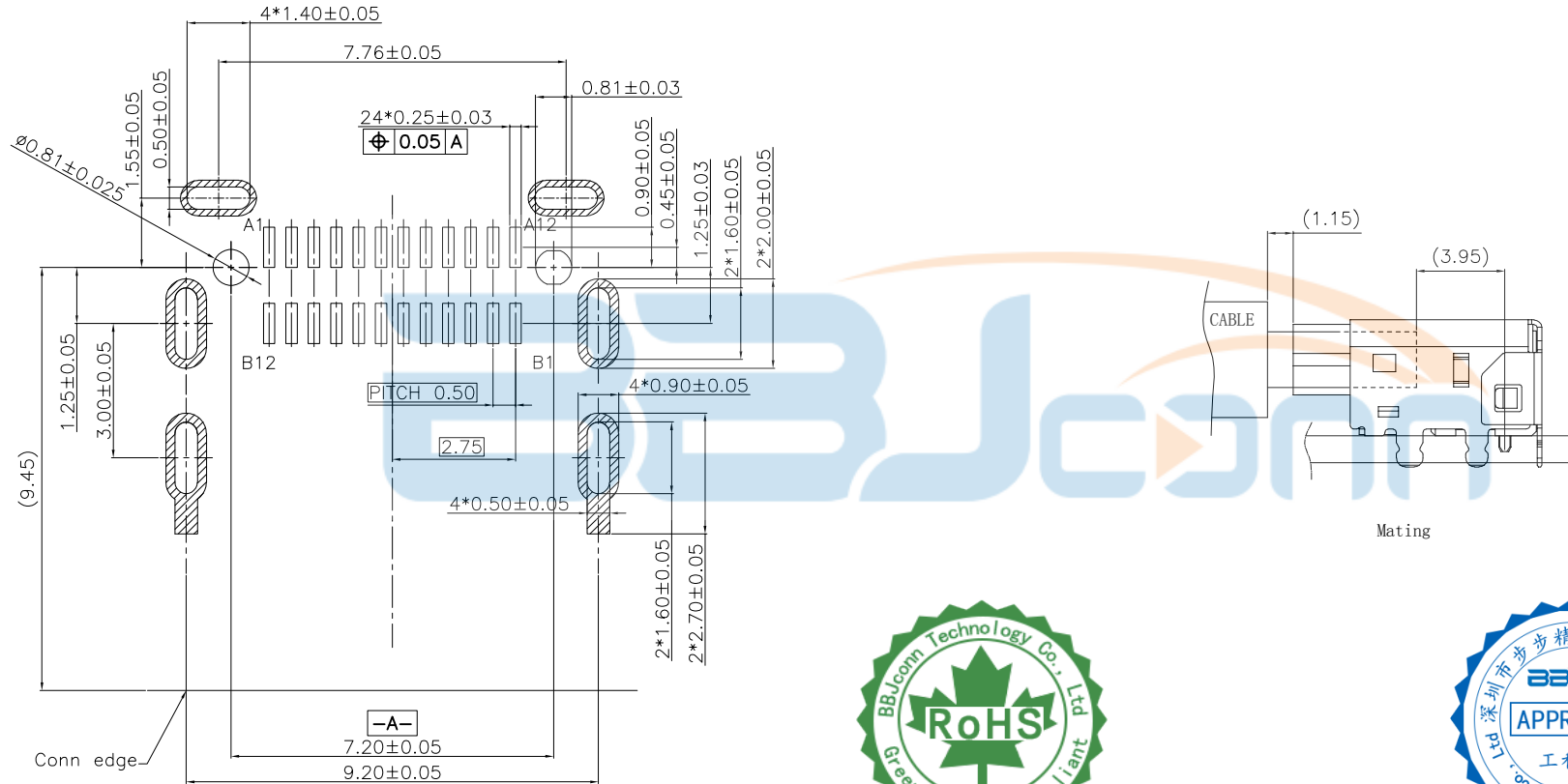
深圳市步步精科技有限公司

TITLE: TYPE-C 24P 母座 板上型 L=11.10 垫高1.77 CH3.40 (端子双排SMT) 双外壳 外壳脚长1.40

DRAWN/ DATE	设计	HMY	SIZE: A4	UNIT: MM.	PART. NO: UC.01.52-1W-0007
CHECKED/ DATE	审核	LYX	SCALE: 1:1	PROJECTION	REV.: 版本
APPROVED/ DATE	核准	LJP	DWG. PATH	0481-1	SHEET: 页码



REV.	DESCRIPTION	NAME	DATE
A	NEWS ISSUE		



RECOMMENDED_PCB_LAYOUT(TOP) SCALE 2:1
THICKNESS=1.2mm



TOLERANCE UNSPECIFIED		深圳市步步精科技有限公司 TITLE: TYPE-C 24P 母座 板上型 L=11.10 垫高1.77 CH3.40 (端子双排SMT) 双外壳 外壳脚长1.40					
.0	±0.30	DRAWN/	设计	HMY	SIZE:A4	UNIT:MM.	PART. NO: UC.01.52-1W-0007
.00	±0.25	DATE					
.000	±0.15	CHECKED/	审核	LYX	SCALE: 1:1	PROJECTION	REV.: 版本
X. °	±2.00°	DATE					
CUSTOMER DRAWING		APPROVED/	核准	LJP	DWG. PATH	0481-1	SHEET: 页码
		DATE					

