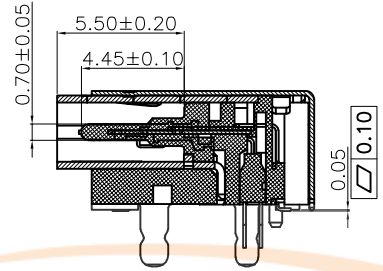
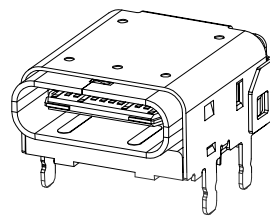
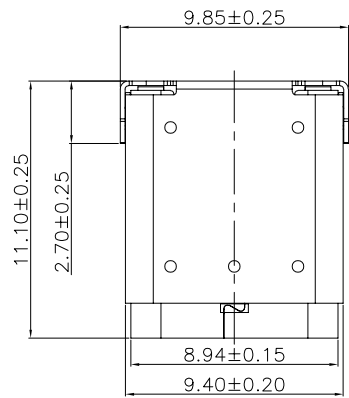
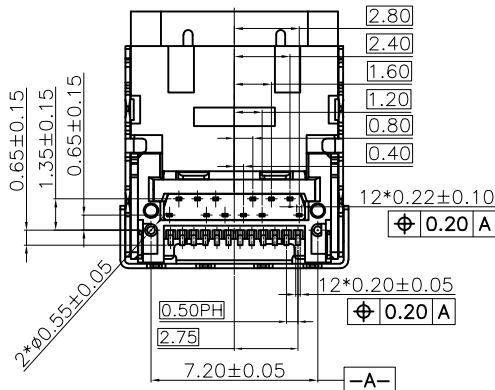
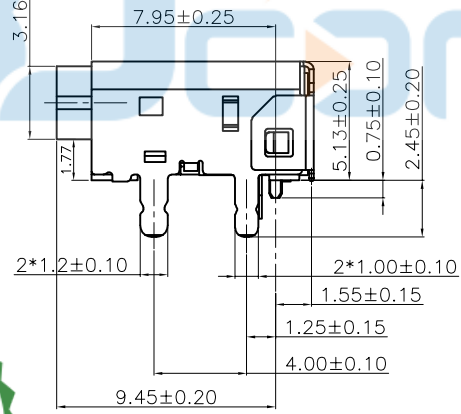
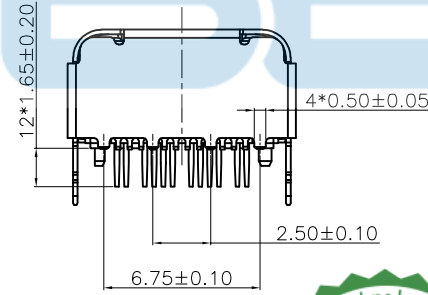
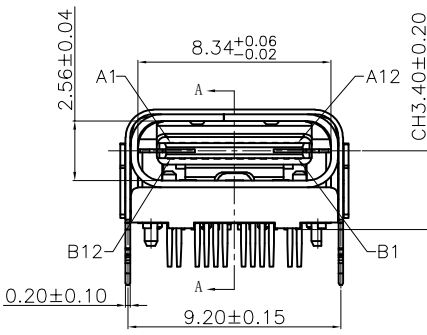




REV.	DESCRIPTION	NAME	DATE
A	NEWS ISSUE		



- Specifications:
- Electrical performance:
 - Contact resistance: 40mΩ max for initial. 10mΩ change after test. measure at 20mv, 100mA.
 - Dielectric withstanding voltage: AC 100V(rms).
 - Insulation resistance: 100MΩ min.
 - Contact current rating: 3A for Vbus pin; 1.25A for Vconn and GND pin; 0.25A for all the other pin.
 - Voltage: 5 Vac (rms).
 - mechanical performance:
 - Mating force: 5~20N
 - Unmating force: 8~20N Initial test, 6~20N After test
 - Durability: 10,000 cycles.
 - Environmental performance:
 - Temperature range:
 - Operating temperature: -25'to+85'.
 - Storage temperature: -20'to+60'.
 - Material:
 - Housing: LCP Black, UL94-V0.
 - Contact: C7025, T=0.12mm
 - Mid-plate: SUS301, T=0.15mm
 - Shell-in: SUS304 T=0.30mm
 - Shell-out: SUS301 T=0.20mm
 - Plating specification:
 - Contact: Au (see table) plated on contact area Matte Tin plated 100u"min on solder area; Nickel 50u"min underplating over all.
 - Shell-out: Nickel 30u"min plating over all.



A1	GND	B12	GND
A2	SSTXP1	B11	SSRXP1
A3	SSTXN1	B10	SSRXN1
A4	VBUS	B9	VBUS
A5	CC1	B8	SBU2
A6	DP1	B7	DN2
A7	DN1	B6	DP2
A8	SBU1	B5	CC2
A9	VBUS	B4	VBUS
A10	SSRXN2	B3	SSTXN2
A11	SSRXP2	B2	SSTXP2
A12	GND	B1	GND
PIN	SIGNAL NAME	PIN	SIGNAL NAME

TOLERANCE UNSPECIFIED	
.0	±0.30
.00	±0.25
.000	±0.15
X.°	±2.00°

CUSTOMER DRAWING

DRAWN/ DATE	设计 HMY
CHECKED/ DATE	审核 LYX
APPROVED/ DATE	核准 LJP

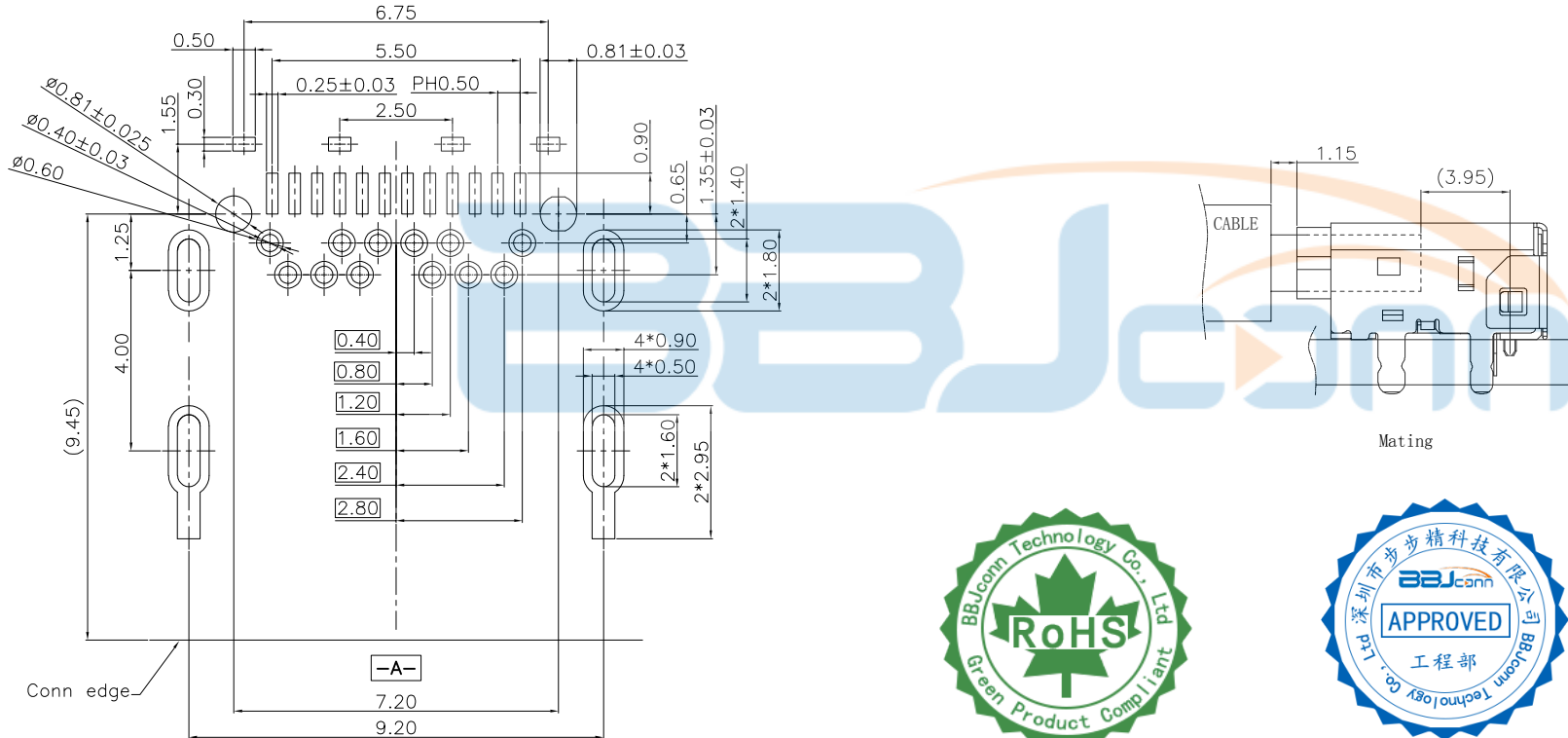
深圳市步步精科技有限公司

TITLE: TYPE-C 24P 母座 板上四脚插 垫高1.77 L=11.10 CH3.40 (DIP+SMT) 双外壳

SIZE: A4	UNIT: MM.	PART. NO:	UC.01.52-1W-0006
SCALE: 1:1	PROJECTION	REV.:	版本
DWG. PATH	0481-1	SHEET:	页码



REV.	DESCRIPTION	NAME	DATE
A	NEWS ISSUE		



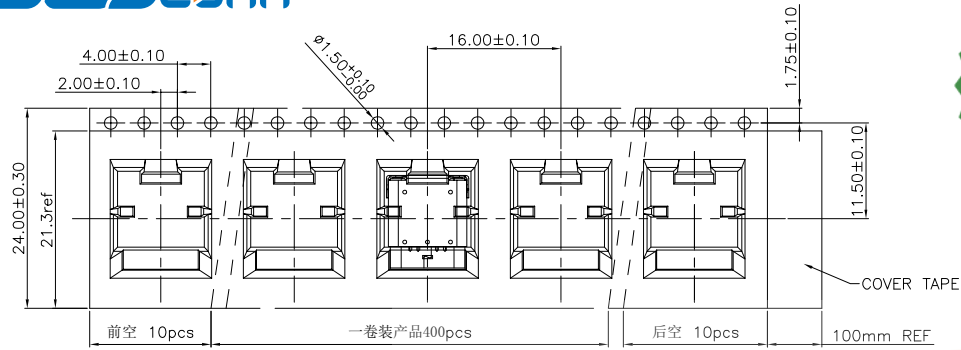
RECOMMENDED PCB LAYOUT(TOP) SCALE 2:1
TOLERANCES:±0.05MM



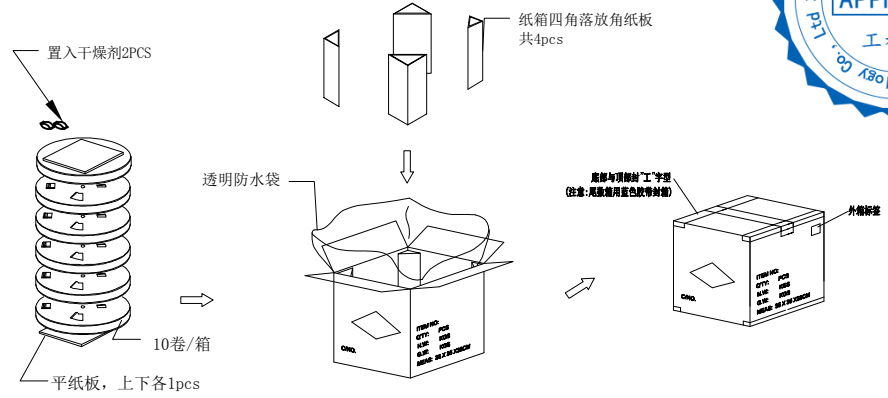
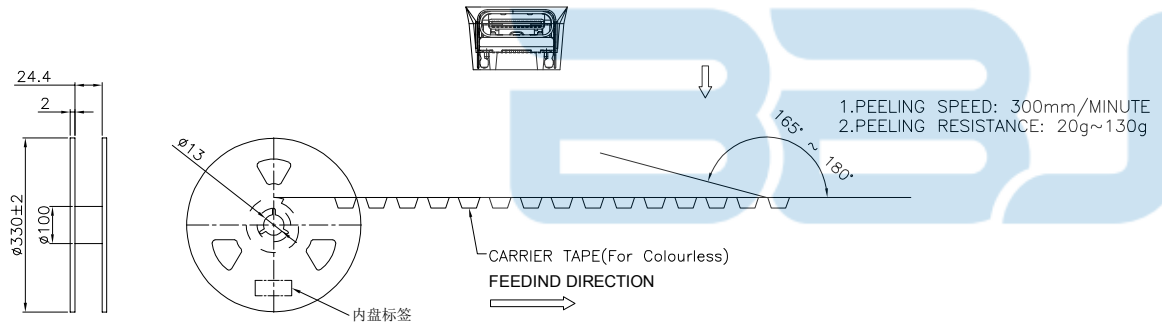
TOLERANCE UNSPECIFIED		深圳市步步精科技有限公司 TITLE: TYPE-C 24P 母座 板上四脚插 垫高1.77 L=11.10 CH3.40 (DIP+SMT) 双外壳							
.0	±0.30	DRAWN/	设计	HMY	SIZE:A4	UNIT:MM.	PART. NO:	UC.01.52-1W-0006	
.00	±0.25	DATE							
.000	±0.15	CHECKED/	审核	LYX	SCALE: 1:1	PROJECTION			REV.: 版本
X.°	±2.00°	DATE							
CUSTOMER DRAWING		APPROVED/	核准	LJP	DWG. PATH	0481-1		SHEET: 页码	



REV.	DESCRIPTION	NAME	DATE
A	NEWS ISSUE		



包装信息	
每盘产品数	400pcs
每箱卷盘数	10卷
每箱产品数	4000pcs
产品单重	/
每箱净重	/
每箱毛重	以实际为准



品名	规格	单位	用量
Conn C GEN2 TYPE C RECEPTACLE 24P 双排SMT CH3.4 L11.10 载带	Φ330, 载带W=24mm PH=16mm T=0.5mm PET透明 无卤	SET	1/400
热封上封带	热封式透明, T=0.05mm, W=21.3mm	M	9/400
防水袋	80*80CM, T=0.05mm	PCS	1/4000
三角板	10cm*10cm*13cm, H30cm	PCS	4/4000
纸板	33*33CM A=B, 纸板	PCS	2/4000
外箱	外箱K=K, 外径35*35*32CM	PCS	1/4000

TOLERANCE UNSPECIFIED		.0 ±0.30		.00 ±0.25		.000 ±0.15		X.° ±2.00°		CUSTOMER DRAWING		深圳市步步精科技有限公司 TITLE: TYPE-C 24P 母座 板上四脚插 垫高1.77 L=11.10 CH3.40 (DIP+SMT) 双外壳	
DRAWN/ DATE	设计	HMY	SIZE: A4	UNIT: MM.	PART. NO:	UC.01.52-1W-0006							
CHECKED/ DATE	审核	LYX	SCALE: 1:1	PROJECTION			REV.: 版本						
APPROVED/ DATE	核准	LJP	DWG. PATH	0481-1		SHEET: 页码							