

RECOMMEND PCB LAYOUT
TOL=±0.05



TABLE B

A1	GND	B12	GND
A2	SSTXP1	B11	SSRXP1
A3	SSTXN1	B10	SSRXN1
A4	VBUS	B9	VBUS
A5	CC1	B8	SBU2
A6	DP1	B7	DN2
A7	DN1	B6	DP2
A8	SBU1	B5	CC2
A9	VBUS	B4	VBUS
A10	SSRXN2	B3	SSTXN2
A11	SSRXP2	B2	SSTXP2
A12	GND	B1	GND
PIN	SIGNAL NAME	PIN	SIGNAL NAME

TABLE A

7	RING	SILICON	---	1PCS
6	MID-PLANT	STAINLESS STEEL	---	1PCS
5	GND-PLANT	STAINLESS STEEL	NI/SN Plated	1PCS
4	SHELL	STAINLESS STEEL	---	1PCS
3	INNER SHELL	STAINLESS STEEL	NI Plated	1PCS
2	CONTACT	COPPER ALLOY	Au/Ni Plated	2SET
1	HOUSING	HIGH TEMPERATURE PLASTIC	BLACK	1PCS
NO.	DESCRIPTION	MATERIAL	FINISH PLANTED	QTY

TOLERANCE UNSPECIFIED	
.0	±0.3
.00	±0.2
.000	±0.1
.0°	±1.0°
.00°	±0.5°
.000°	±0.2°

BBJconn 深圳市步步精科技有限公司

TITLE: TYPE-C 24P 母座 沉板 1.1 L=9.85 四脚插 防水IPX7 CH0.65

DRAWN/ DATE	设计 HMY	SIZE:A4	UNIT:MM.	PART. NO:	UC. 01. 32-1F-0003
CHECKED/ DATE	审核 LYX	SCALE: 1:1	PROJECTION	REV.:	版本
APPROVED/ DATE	核准 LJP	DWG. PATH	0299-2	SHEET:	页码

SPECIFICATION:

1.ELECTRICAL:

- 1-1:CURRENT RATING:
VBUS AND GND CONTACTS RATED AT 1.25A
PARALLELED FOR A TOTAL OF 5A;
1-2:INITIAL CONTACT RESISTANCE :40 MEGOHMS
1-3:DIELECTRIC WITHSTANDING VOLTAGE:
100V AC MIN;

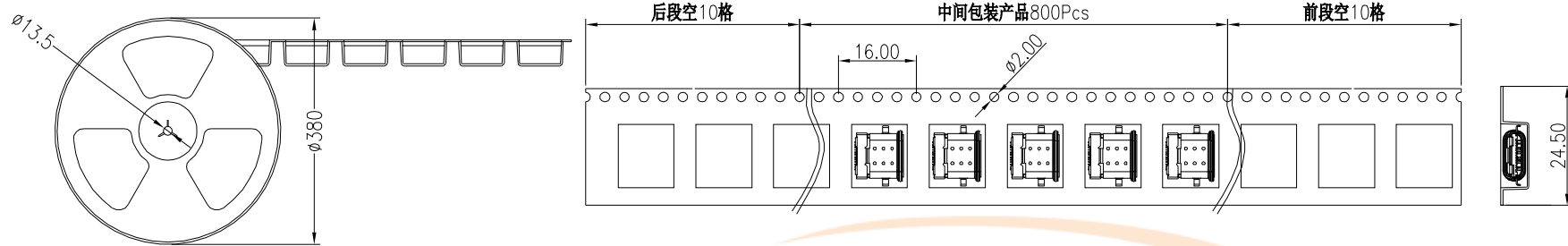
2:MECHANICAL CHARACTERISTICS:

- 2-1:MATING FORCE:5~20N
2-2:UNMATING FORCE:8~20N(INITIAL),
6~20N(AFTER 10000 CYCLES)
2-3:FREQUENCY: 200±50 CYCLES /HOUR,10000 CYCLES
2-4:OPERATING TEMPERATURE ;-40°~80°.
3: WATERPROOF: IP-X7.

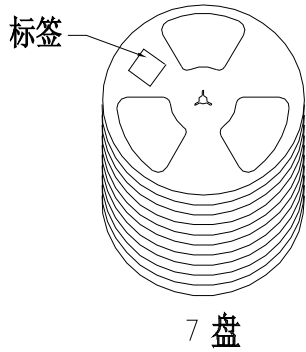


REV.	DESCRIPTION	NAME	DATE
A	NEWS ISSUE		

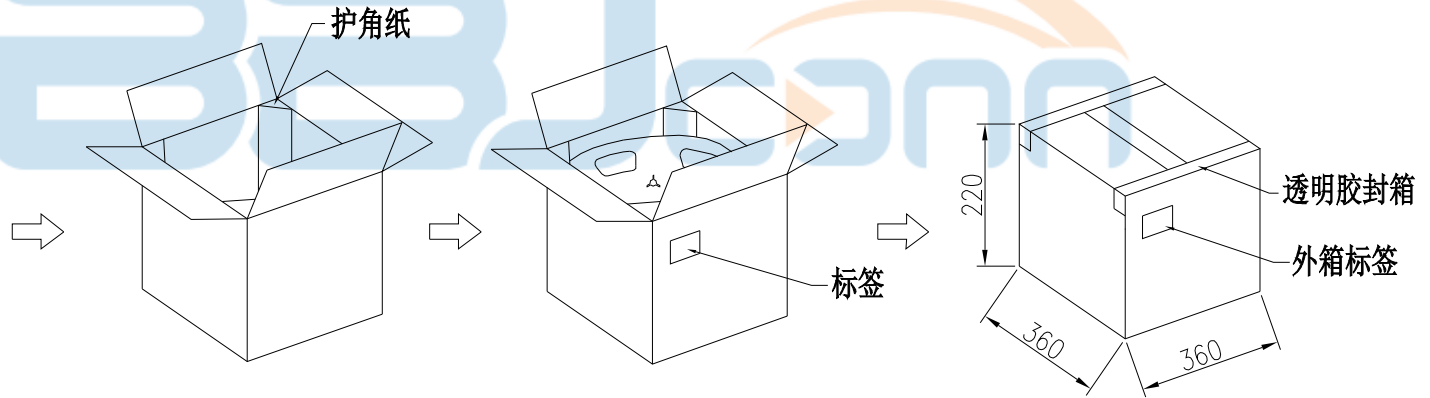
从胶盘拉出方向 →



1K/盘



7 盘



10K/箱 纸箱规格: 420*420*220mm

备注:

1. 每盘前面空10个空格后面空10个空格, 中间包装800PCS,
2. 每箱包装7盘, 共包装5600PCS



TOLERANCE UNSPECIFIED		深圳市步步精科技有限公司						
.0	±0.3	TITLE: TYPE-C 24P 母座 沉板1.1 L=9.85 四脚插 防水IPX7 CH0.65						
.00	±0.2							
.000	±0.1	DRAWN/	设计	HMY	SIZE:A4	UNIT:MM.	PART.NO:	UC. 01. 32-1F-0003
.0°	±1.0°	DATE						
.00°	±0.5°	CHECKED/	审核	LYX	SCALE: 1:1	PROJECTION	REV.: 版本	
.000°	±0.2°	DATE						
		APPROVED/	核准	LJP	DWG. PATH	0299-2		SHEET: 页码
		DATE						