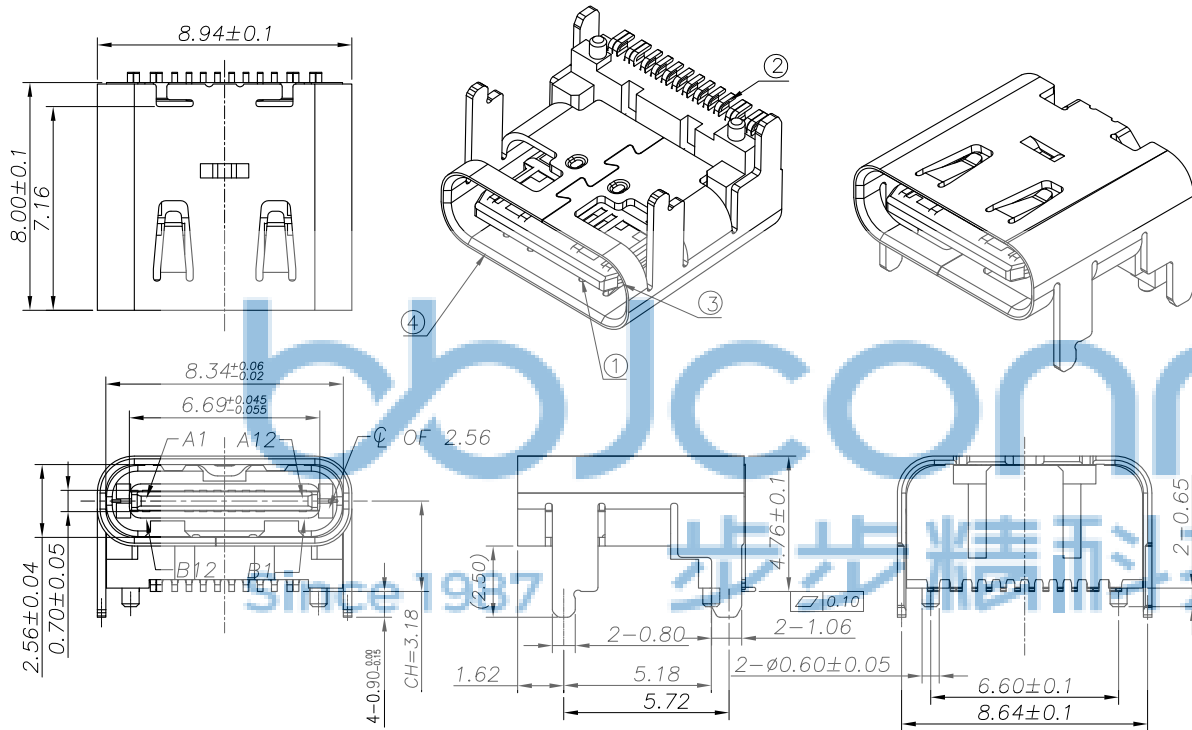


REV.	DESCRIPTION	NAME	DATE
A	NEWS ISSUE		

NOTE:

- MATERIAL SPECIFICATION:
 - HOUSING: HIGH TEMPERATURE RESISTANT PLASTIC, UL94 V-0.
 - CONTACTS: COPPER ALLOY
 - MID PLATE: STAINLESS STEEL
 - INSIDE SHELL: STAINLESS STEEL
 - OUTSIDE SHELL: STAINLESS STEEL
- PLATING SPECIFICATION:
 - CONTACTS:
 - Ni 50u" MIN. UNDER PLATED OVER ALL.
 - Au PLATED ON THE FUNCTIONAL AREA OF CONTACT.
 - GOLD FLASH PLATING ON CONTACT AREA,
 - GOLD FLASH PLATING ON SOLDER AREA
 - INSIDE SHELL OR OUTSIDE SHELL:
 - Ni 30u" MIN. UNDER PLATED OVER ALL.
- MECHANICAL PERFORMANCE,
 - INSERTION FORCE: 0.5~2.0kgf.
 - REMOVAL FORCE: 0.8kgf~2.0kgf.
 - DURABILITY: 10000 CYCLES.
- ELECTRICAL PERFORMANCE,
 - CURRENT RATING: 5A
VOLTAGE RATING: 20V
 - INSULATION RESISTANCE: 100MΩ MIN
 - DIELECTRIC WITHSTAND VOLTAGE, AC 100V FOR 1 MINUTE.
 - LOW CONTACT RESISTANCE: INITIAL 40MΩ
AFTER 50MΩ
- ENVIRONMENTAL PERFORMANCE:
 - OPERATING TEMPERATURE: -30°C~+80°C.
- IR REFLOW:
 - THE PEAK TEMPERATURE ON THE BOARD SHALL BE MAINTAINED FOR 10 SECONDS AT 260°C.



NO.	DESCRIPTION	MATERIAL	REMARKS	
4	SHELL	STAINLESS STEEL T=0.30MM	NI 40u"MIN	1PCS
3	SHIELDING PLATE	STAINLESS STEEL T=0.15MM	N/A	1PCS
2	CONTACT	COPPER ALLOY T=0.15MM	Mating area 1u"Au Solder Tails: G/F Underplate: 80u"Min Ni overall	2SET
1	INSERT MOLDING	LCP UL94V-0	BLACK	1PCS



TOLERANCE UNSPECIFIED

.0	±0.35
.00	±0.25
.000	±0.15
X. °	±2.00°

CUSTOMER DRAWING

深圳市步步精科技有限公司

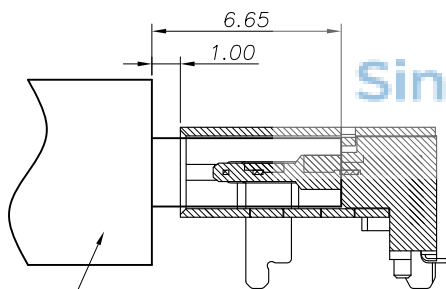
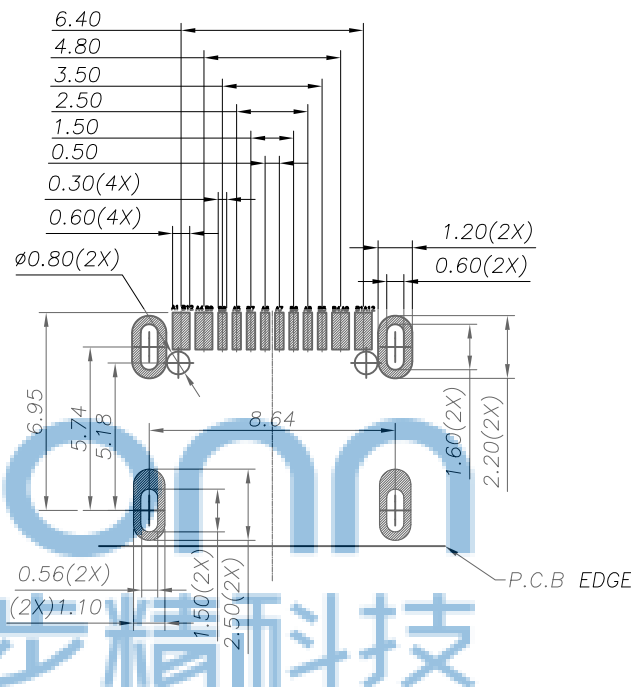
TITLE:
TYPE-C 16P 母座 L=8.0 CH=3.18 垫高1.60 板上四脚插 带柱 端子SMT

DRAWN/ DATE	设计 TSP	SIZE:A4	UNIT:MM.	PART. NO:	UC.01.51-11-0052
CHECKED/ DATE	审核 LYX	SCALE: 1:1	PROJECTION	REV.: 版本	
APPROVED/ DATE	核准 LJP	DWG. PATH	0100-2	SHEET: 页码	

REV.	DESCRIPTION	NAME	DATE
A	NEWS ISSUE		

USB TYPE-C PIN ASSIGNMENTS

PIN NUMBER	SIGNAL NAME	PIN NUMBER	SIGNAL NAME
A1	GND	B12	GND
A4	VBUS	B9	VBUS
A5	CC1	B8	SBU2
A6	Dp1	B7	Dn2
A7	Dn1	B6	Dp2
A8	SBU1	B5	CC2
A9	VBUS	B4	VBUS
A12	GND	B1	GND



Since 1987

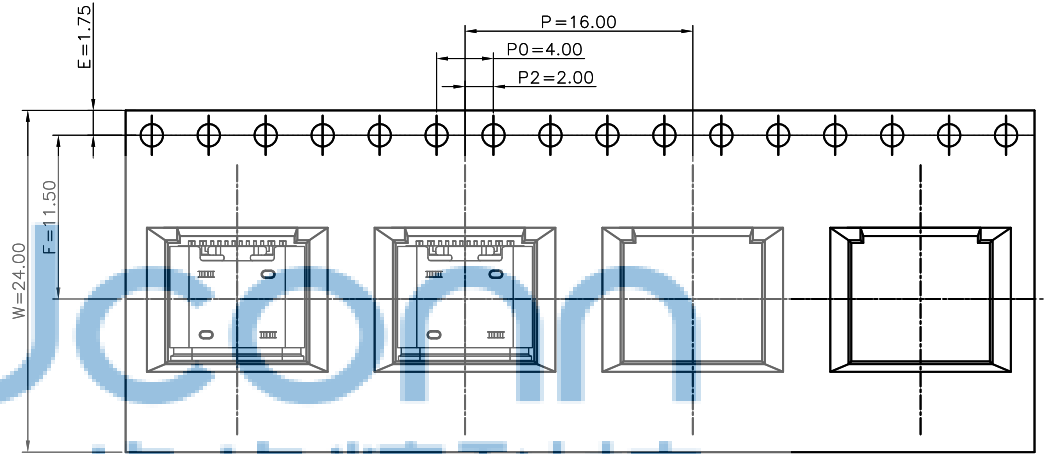
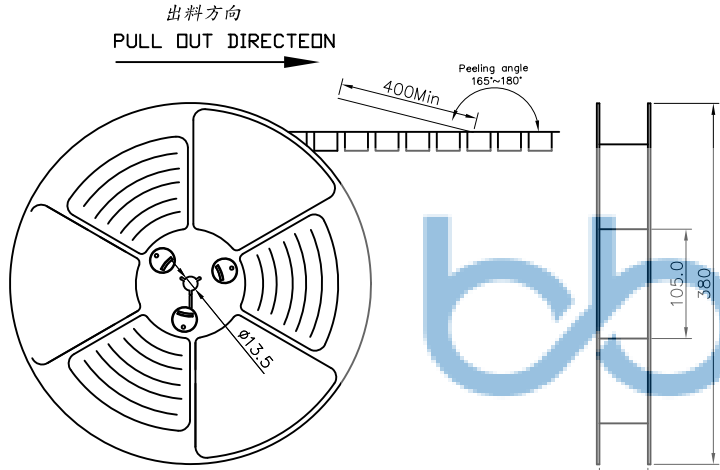
步步精科技

RECOMMEND P.C.B LAYOUT(COMPONENT SIDE)
TOLERANCE FOR PCB LAYOUT IS ± 0.05



TOLERANCE UNSPECIFIED		深圳市步步精科技有限公司	
.0	± 0.35	TITLE:	
.00	± 0.25	TYPE-C 16P 母座 L=8.0 CH=3.18 垫高1.60 板上四脚插 带柱 端子SMT	
.000	± 0.15	DRAWN/ DATE	设计 TSP
X. °	$\pm 2.00^\circ$	CHECKED/ DATE	审核 LYX
CUSTOMER DRAWING		APPROVED/ DATE	核准 LJP
SIZE:A4	UNIT:MM.	PART. NO:	UC.01.51-11-0052
SCALE: 1:1	PROJECTION	REV.:	版本
DWG. PATH	0100-2	SHEET:	页码

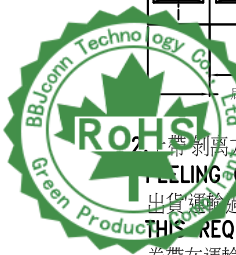
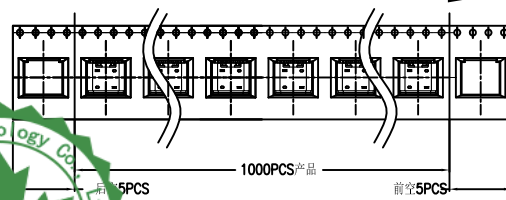
REV.	DESCRIPTION	NAME	DATE
A	NEWS ISSUE		



NOTES

1. 帶子引導長度
LEAD TAPE LENGTH

出料方向
PULL OUT DIRECTEON



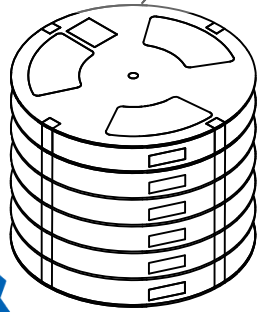
2. 帶子剝離力為: 0.1~1.3N(10.2gf~130gf)
PEELING OFF FORCE OF TOP TAPE: 0.1~1.3N(10.2gf~130gf)

出貨運輸過程中一定注意:
THIS REQUIREMENT SHOULD BE APPLIED AT SHIPMENT:
卷帶在運輸過程中不能散開
PEELING OFF SHOULD NOT BE ALLOWED DURING TRANSPORTATION



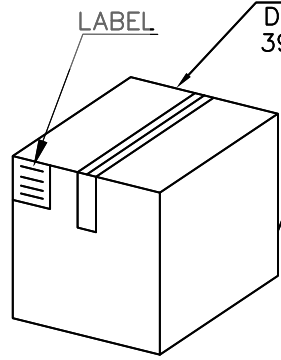
TAPE & REEL 6 PCS

1 REEL = 1000 PCS



BOX

DIMENSIONS:
39.5X39.5X20



1 CARTON = 6 REELS = 6000 PCS

TOLERANCE UNSPECIFIED

.0	±0.35
.00	±0.25
.000	±0.15
X. °	±2.00°

CUSTOMER DRAWING

深圳市步步精科技有限公司

TITLE:
TYPE-C 16P 母座 L=8.0 CH=3.18 墊高1.60 板上四腳插 帶柱 端子SMT

包裝明細表 (The detail of the packing) Carton

產品料號 (Product No.)	包裝容量 (Packing Capacity)			重量 Weight (Kg)		
	pcs/box	boxes/Carton	Pcs/Box	N.W./Pcs	N.W./Box	G.W./Box
	1000	6	6000	----	----	----

DRAWN/ DATE	设计 TSP	SIZE:A4	UNIT:MM.	PART. NO:	UC.01.51-11-0052
CHECKED/ DATE	审核 LYX	SCALE: 1:1	PROJECTION	REV.: 版本	
APPROVED/ DATE	核准 LJP	DWG. PATH	0100-2	SHEET: 页码	